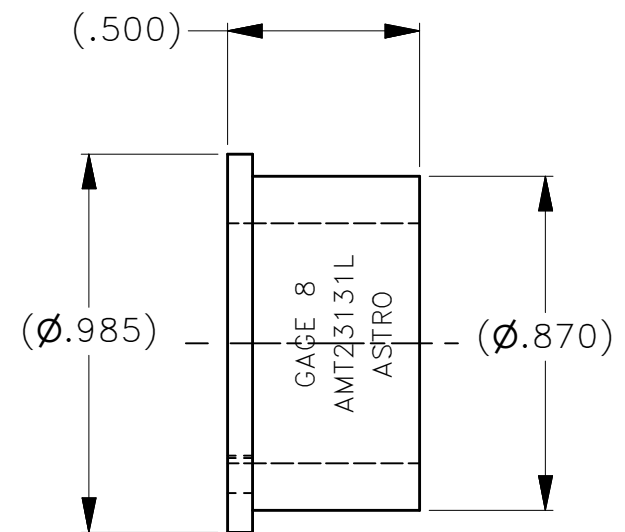
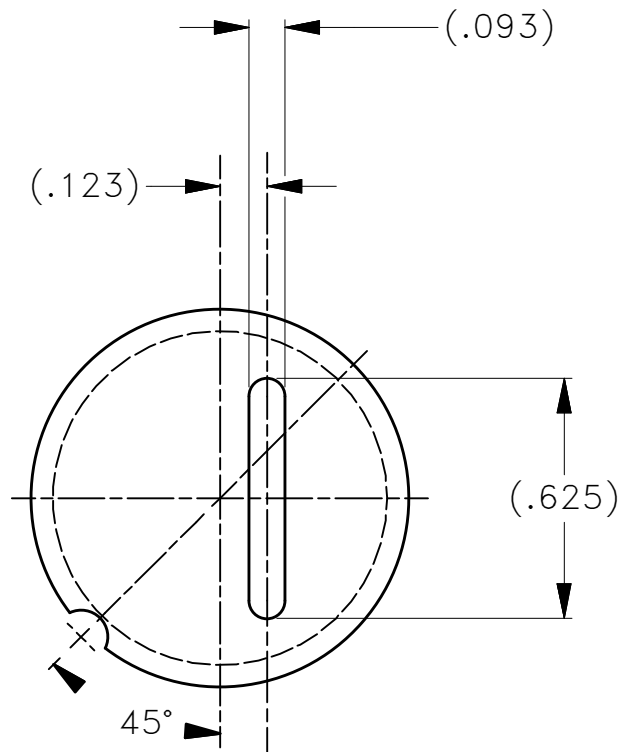


REV SYM		ECO NUMBER	DESCRIPTION	BY DATE	APP'D DATE
A		--	NEW RELEASE	DYO 12-18-13	ADI. G 12-18-13


REVISIONS **AMT23131L-ENV**



UNCONTROLLED DOCUMENT
WILL NOT BE UPDATED

NOTES:

- 1. THIS IS AN ICAD DRAWING DO NOT CHANGE MANUALLY.

MATERIAL (2024 ALUMINUM)	ITEM	PART NO.	QTY.	DESCRIPTION/REMARKS
	DRN. ADI.G	DATE 12-18-13		CAGE 58164
HEAT TREAT N/A	CHK'D. MMK	DATE 12-18-13	 21615 S.W. THIALATIN VALLEY HWY., BEAVERTON OR 97006	
	APP'D.	DATE		
FINISH	APP'D.	DATE	TITLE ENVELOPE DRAWING: AMT23131L LOCATOR, 8 GAGE	
	TOLERANCE: UNLESS OTHERWISE SPECIFIED FRACTIONS ± 1/32 ANGLES ± 1' DECIMAL INCHES: .X ± .030 .XX ± .010 .XXX ± .005 .XXXX ± .0005 REMOVE BURRS AND BREAK SHARP EDGES .005-.015		WHERE USED:	
CREATED FROM AN INVENTOR MODEL. CHANGES MUST BE REFLECTED IN THE 3D PART	SIZE A	SCALE N/A	CAD P/N AMT23131L-ENV_RA	SHEET OF 10 F1
DO NOT SCALE DRAWING	POSTING	P/N AMT23131L-ENV	REV. A	

THESE DRAWINGS, SPECIFICATIONS OR OTHER DATA ARE AND REMAIN, THE PROPERTY OF ASTRO TOOL CORP. AND MUST BE RETURNED UPON REQUEST. THEY CONTAIN INFORMATION OWNED AND/OR DEVELOPED BY ASTRO AT ITS OWN PRIVATE EXPENSE AND MAY NOT BE USED, DUPLICATED OR DISCLOSED TO OTHERS, IN WHOLE OR IN PART FOR DESIGN, MANUFACTURE, OR PROCUREMENT WITHOUT THE WRITTEN PERMISSION OF ASTRO TOOL CORP. EACH AND EVERY TIME.