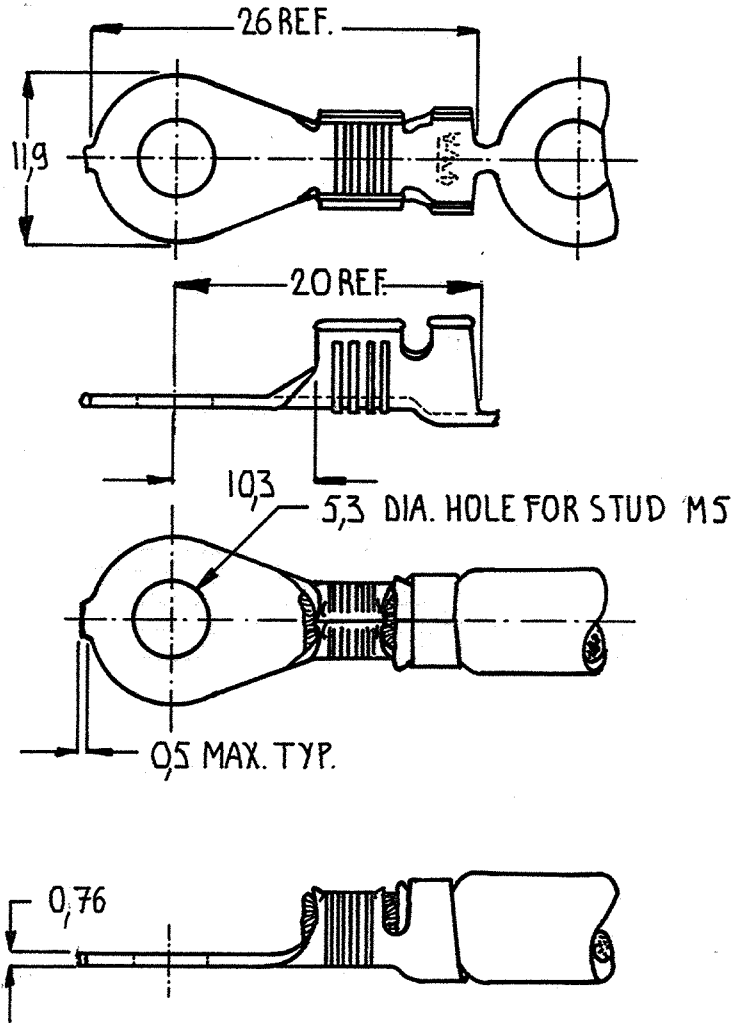
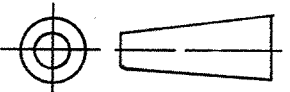


DO NOT SCALE

DIMENSIONS IN mm

METRIC

THIRD ANGLE
PROJECTION



NOTES: $\triangle 1$ FOR USE ON STANDARD AND MINIATURE APPLICATORS.
 $\triangle 2$ FOR USE ON MINIATURE APPLICATORS. (AMP-O-MATOR APPL)

$\triangle 1 \triangle 2$	UNPLATED	BRASS	160092-3
$\triangle 1$	TINPLATED	BRASS	160092-2
$\triangle 1$	UNPLATED	BRASS	160092-1
NOTES	FINISH	MATERIAL	PART NUMBER

CUSTOMER
DRAWING

AMP

AMP-HOLLAND B.V.
's-Hertogenbosch, The Netherlands

FOR REFERENCE ONLY
WILL NOT BE UPDATED

THIS DRAWING IS UNPUBLISHED*

RELEASED FOR PUBLICATION _____, 19

© COPYRIGHT 19 BY AMP-HOLLAND B.V.
ALL INTERNATIONAL RIGHTS RESERVED.
AMP PRODUCTS MAY BE COVERED BY U.S. AND FOREIGN PATENTS AND/OR PATENTS PENDING.

DR. <i>[Signature]</i> 20/4-83	WIRE RANGE 3,1 - 5,3 mm ²	NAME RINGTONGUE	REV. DATE D M Y
CHK. <i>[Signature]</i> 29/4.83	INSUL. RANGE 3,8 - 5,3 DIA.		28 4 83
APP. <i>[Signature]</i> 28.4.83	SIZE A4	SHEET 1 OF 1	DRAWING NO C-160092
			REV. LTR. 0