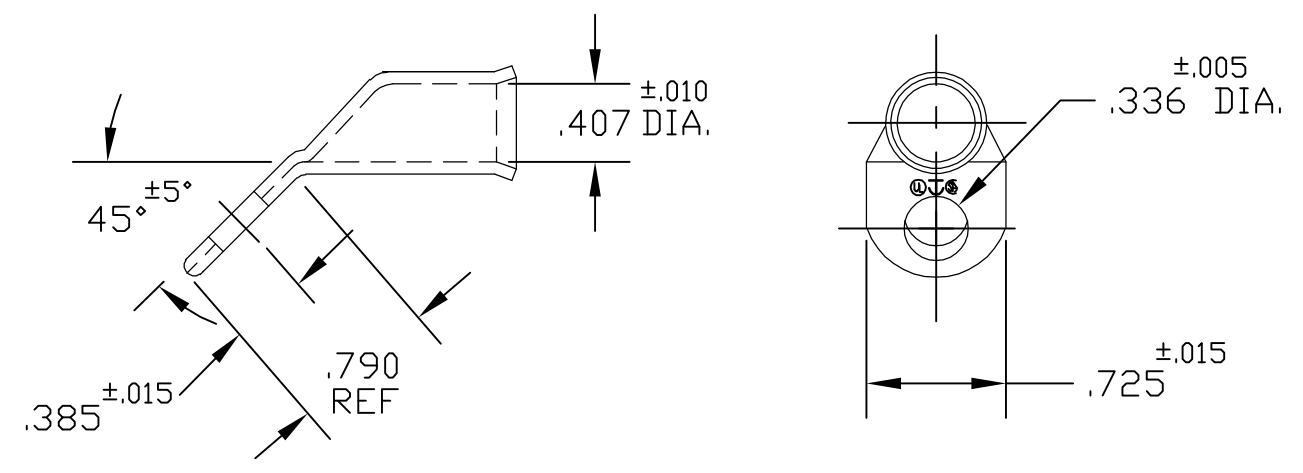


THIS DRAWING IS UNPUBLISHED. RELEASED FOR PUBLICATION
 © COPYRIGHT - BY TYCO ELECTRONICS CORPORATION. ALL RIGHTS RESERVED.

LOC	DIST	REVISIONS					
		P	LTR	DESCRIPTION	DATE	DWN	APVD
G	50		B1	REVISED PER ECR-06-010774	05MAY06	HMR	JR



ACTIVE	10561-09-45	STANDARD	TIN PLATE	1526698-2
ACTIVE	10561-08-45	STANDARD	PLAIN	1526698-1
STATUS	AET P/N	PACKAGING	FINISH	PART NUMBER

THIS DRAWING IS A CONTROLLED DOCUMENT.		DWN D.A.A 9/19/00	Tyco Electronics Corporation Harrisburg, PA 17105-3608					
DIMENSIONS: INCHES		CHK H.D.F 9/19/00				NAME 1/0 STANDARD TERMINAL WITH 45° BEND		
		APVD H.D.F 9/19/00	PRODUCT SPEC -					
TOLERANCES UNLESS OTHERWISE SPECIFIED: 0 PLC ± - 1 PLC ± - 2 PLC ± - 3 PLC ± - 4 PLC ± - ANGLES ± -		APPLICATION SPEC -	SIZE A3	CAGE CODE 00779	DRAWING NO C-1526698	RESTRICTED TO -		
MATERIAL COPPER ASTM B-152		FINISH -	WEIGHT -	CUSTOMER DRAWING		SCALE 1:1	SHEET 1 OF 1	REV B1