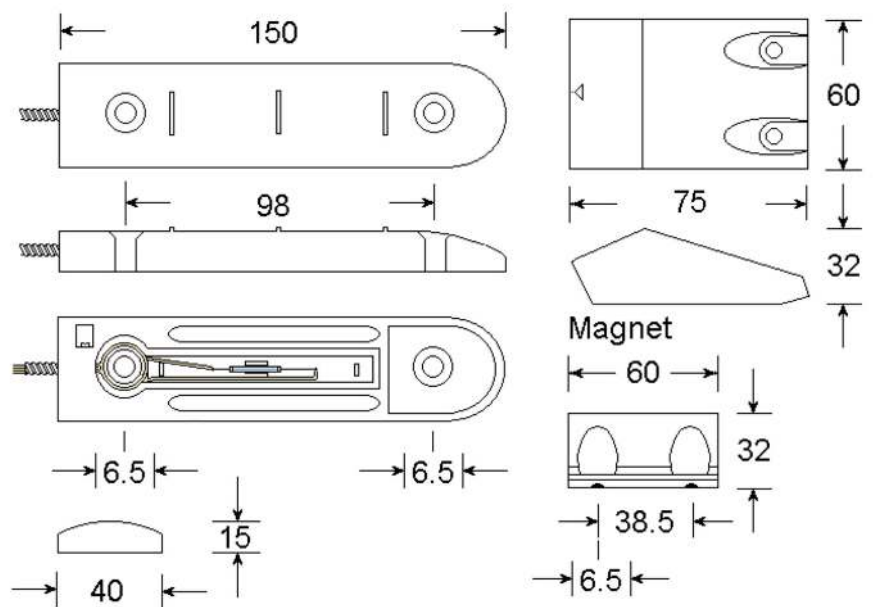


Datasheet

**Stock No: 1220718**

**RS Pro Roller shutter Security contact & Magnet, Grade 2**



**Specifications**

- Normally open contact form
- Grade 2
- Maximum voltage 125Vac / 100Vdc
- Tamper loop
- 0.5 Amp switching current
- 50mm Operating gap
- 100 mOhm contact resistance
- Temperature range -40 +50° Celsius
- Cast Aluminium housing
- Ingress protection IP67
- 4 wire 500mm armoured cable