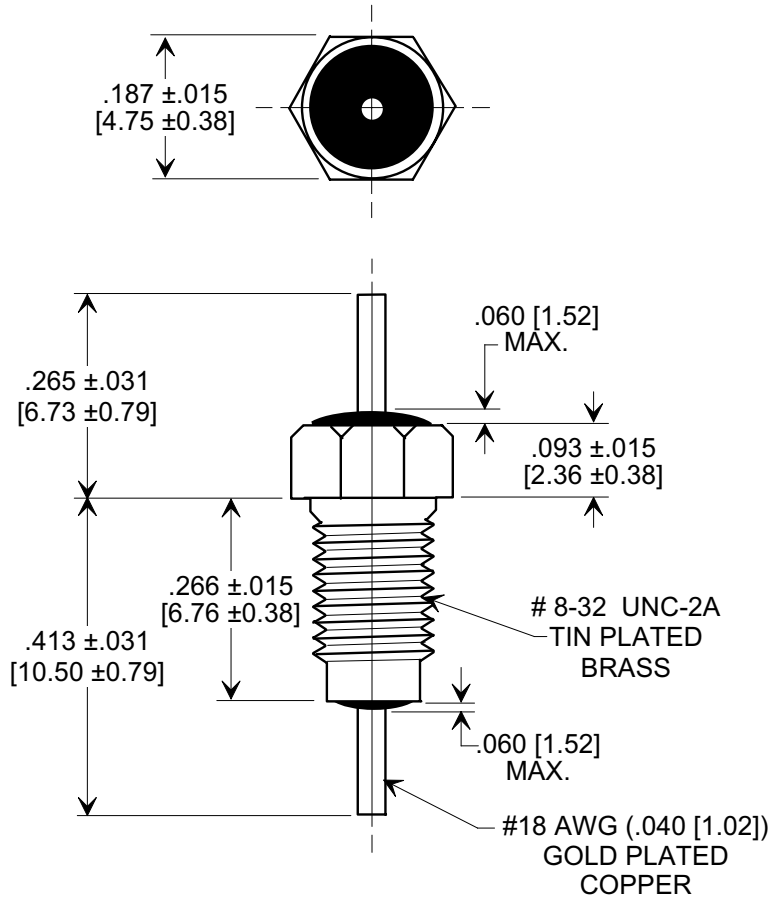
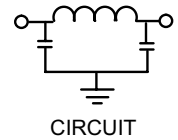
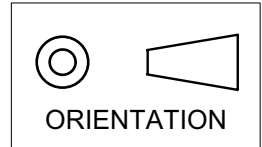


MARKETING SALES DRAWING

DIMENSIONS IN INCHES - DO NOT SCALE THIS DRAWING
DIMENSIONS IN METRIC - []

Electrical Testing
 per Tusonix standard
 test plans and Mil-Std-202
 Test Methods.



NOTES:

- TUSONIX STANDARD PART NUMBER: 4201-055.
 TUSONIX RoHS COMPLIANT PART NUMBER: 4201-055 LF.
 CUSTOMER MUST SPECIFY STANDARD OR RoHS PART NUMBER WHEN ORDERING.
- PART MARKING: TRADEMARK AND VARIATION NUMBER ON HEX FLATS.
 STANDARD PART: BLACK INK. RoHS PART: GREEN INK.

MIN./MAX. CAP. (pF)	WORKING VOLTAGE (WVdc)		CURRENT (Idc)	I.R. MIN. @ 100 (VDC.)	DWV (VDC)	MINIMUM NO LOAD INSERTION LOSS (dB) AT 25°C PER MIL-STD -220			
	85°C	125°C				10 MHz	100 MHz	1 GHz	10 GHz
6,000/11,000	200	100	10 A	10 G	400	14	55	70	70

X-2015 Rev-0 REVISION RECORD Original Release C.O. 19990507-2-01 ADDED NOTES, IR, DWV & METRIC. S.M. 07-28-05 20050726-2-29	0	1	--TOLERANCES-- Unless Otherwise Specified		Title BUSHING MOUNT PI TYPE EMI FILTER	
	DECIMAL ±		Drawn S.M. 05-10-99		Scale 4 X	
	ANGLES ±		Approved E.F. 05-10-99			
	TUSONIX TUCSON, ARIZONA		A	4201-055		