

Electronic housing - ME 35 UTG/FE GN - 2907224

Please be informed that the data shown in this PDF Document is generated from our Online Catalog. Please find the complete data in the user's documentation. Our General Terms of Use for Downloads are valid (<http://download.phoenixcontact.com>)




Lower part of housing, housing closed, fully assembled, with integrated functional earth ground contact, and metal foot catch

Product Features

- ✓ Tool-free mounting
- ✓ Large assembly area
- ✓ Low design width with a high number of positions
- ✓ Recessed labeling areas
- ✓ Same PCB geometry for all design widths
- ✓ Fast mounting on DIN rails according to EN 60715
- ✓ Inflammability class V0 according to UL 94
- ✓ Cost savings thanks to easy device production
- ✓ Material and part identification embossed on the housing (recyclability)
- ✓ Functional earth ground contact (EMC) integrated in the housing base
- ✓ Metal foot catch
- ✓ Optional BUS connection integrated in the housing, for either parallel or serial contacting
- ✓ Electronic components can be partially removed



Key commercial data

Packing unit	1 1
GTIN	 4 017918 131449
Weight per Piece (excluding packing)	63.63 GRM
Custom tariff number	85472000
Country of origin	Germany

Technical data

General

Electronic housing - ME 35 UTG/FE GN - 2907224

Technical data

General

Housing type	Component housing
Housing material	Polyamide
Color	green

Ambient conditions

Ambient temperature (operation)	-40 °C ... 105 °C
---------------------------------	-------------------

Dimensions

Length	99 mm
Constructional height	114.5 mm
Width	35 mm

Technical data

Inflammability class according to UL 94	V0
Power dissipation at 20°C in the horizontal mounting position	7.5 W 13.8 W
Number of positions	24

Classifications

eCl@ss

eCl@ss 4.0	27180401
eCl@ss 4.1	27180401
eCl@ss 5.0	27180506
eCl@ss 5.1	27180506
eCl@ss 6.0	27180802
eCl@ss 7.0	27182702
eCl@ss 8.0	27182702

ETIM

ETIM 2.0	EC001031
ETIM 3.0	EC001031
ETIM 4.0	EC001031
ETIM 5.0	EC001031

UNSPSC

UNSPSC 6.01	31261501
UNSPSC 7.0901	31261501
UNSPSC 11	31261501
UNSPSC 12.01	31261501

Electronic housing - ME 35 UTG/FE GN - 2907224

Classifications

UNSPSC

UNSPSC 13.2	31261501
-------------	----------

Approvals

Approvals

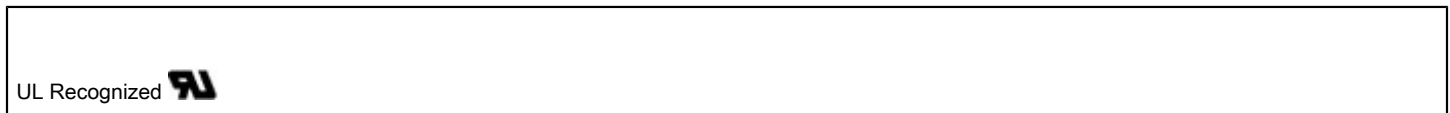
Approvals

UL Recognized

Ex Approvals

Approvals submitted

Approval details



Accessories

Accessories

Coding element

Coding star - CR-MSTB - 1734401



Coding section, inserted into the recess in the header or the inverted plug, red insulating material

Coding profile - CP-MSTB - 1734634



Coding profile, is inserted into the slot on the plug or inverted header, red insulating material

Electronic housing - ME 35 UTG/FE GN - 2907224

Accessories

Component housing center part

Electronic housing - ME 35 UTM - 2908265



Intermediate element for modular extension of the volume of the housing in the pitch. The open intermediate element is 17.5 mm wide.

Electronic housing - ME 35 UTMG - 2908275



Intermediate element for modular extension of the volume of the housing in the pitch. The closed intermediate element is 17.5 mm wide.

Electronic housing - ME 35 UTMG - 2908275



Intermediate element for modular extension of the volume of the housing in the pitch. The closed intermediate element is 17.5 mm wide.

Filler plug

Electronic housing - ME B-17,5 MSTBO GN - 2906869



Filler plugs, for unoccupied terminal points

Electronic housing - ME 35 UTG/FE GN - 2907224

Accessories

Electronic housing - ME B-17,5 MKDSO GN - 2906885



Filler plugs, for unoccupied terminal points

Ground contact

Electronic housing - ME FE-CONTACT - 2908294



Functional earth ground contact, for intermediate elements.

Electronic housing - ME FE-CONTACT - 2908294



Functional earth ground contact, for intermediate elements.

Mounting material

Components of electronic housing - ME-SAS - 2853899



Shield connection clamp for printed circuit terminal block

Electronic housing - ME LPZS - 2906911



PCB stop, for soldering onto PCB

Electronic housing - ME 35 UTG/FE GN - 2907224

Accessories

Electronic housing - ME MF 17,5 - 2908281



Metal foot catch, for intermediate elements.

Electronic housing - ME LPZS - 2906911



PCB stop, for soldering onto PCB

Electronic housing - ME MF 17,5 - 2908281



Metal foot catch, for intermediate elements.

PCB

Electronic housing - ME LP - 2906908



PCB, for custom fitting, with contact to DIN rail (EN 60715)

Required add-on products

Electronic housing - ME 35 UTG/FE GN - 2907224

Accessories

Electronic housing - ME 17,5 OT-MKDSO GN - 2906843



Housing upper part, for printed circuit terminal block connection

Electronic housing - ME 17,5 OT-MSTBO GN - 2906827



Upper part of housing, for COMBICON connection, double-level

Electronic housing - ME 17,5 OT-MSTBO SET - 2907431



Housing upper part, complete with COMBICON headers and screw connectors for full mounting of components. 12-pos., housing width: 17.5 mm

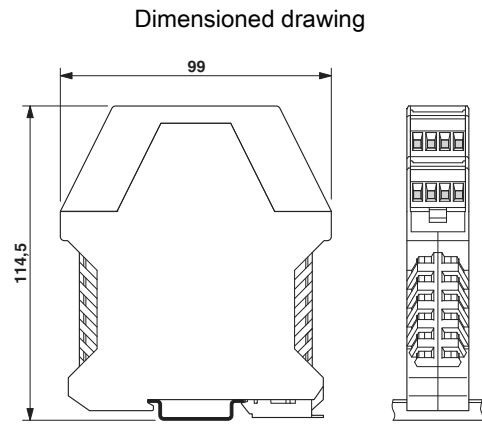
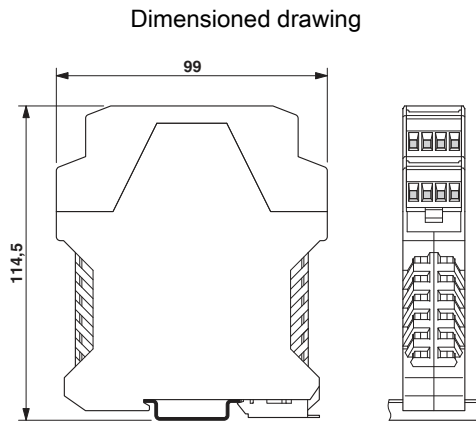
Electronic housing - ME 17,5 OT-MKDSO SET - 2907460



Housing upper part, complete with PCB termination blocks for full equipping. 12-pos., housing width: 17.5 mm

Drawings

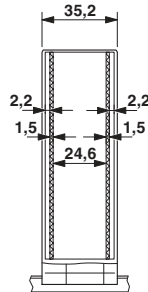
Electronic housing - ME 35 UTG/FE GN - 2907224



Dimensions of the electronic housing ME... with double-level upper part

Dimensions of the electronic housing ME... with double-level upper part

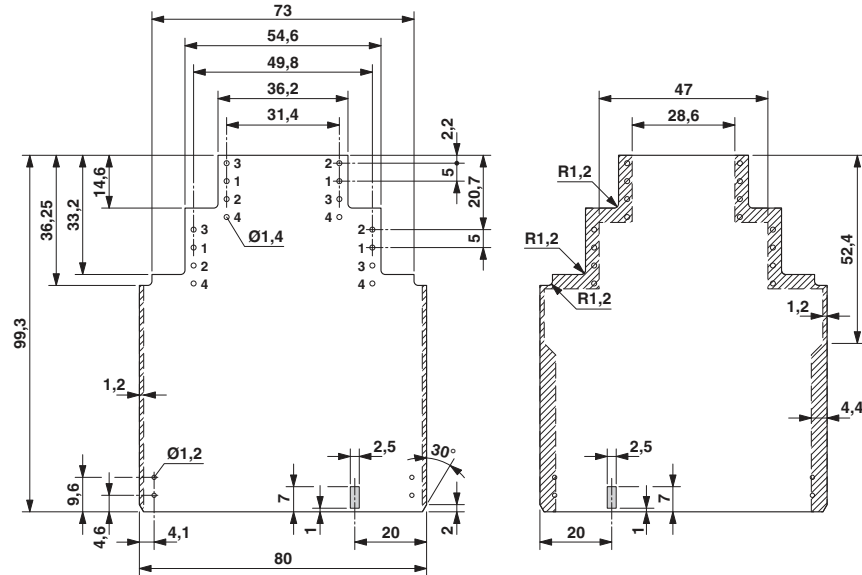
Dimensioned drawing



Inner housing dimensions, electronic housing ME 35 ...

Electronic housing - ME 35 UTG/FE GN - 2907224

Dimensioned drawing



Dimensional drawing of the ME... printed circuit board if the double level upper part is used