



## PSK-CM8JL65-CC5 ToF Infrared Distance Measuring Sensor

SKU 101990440

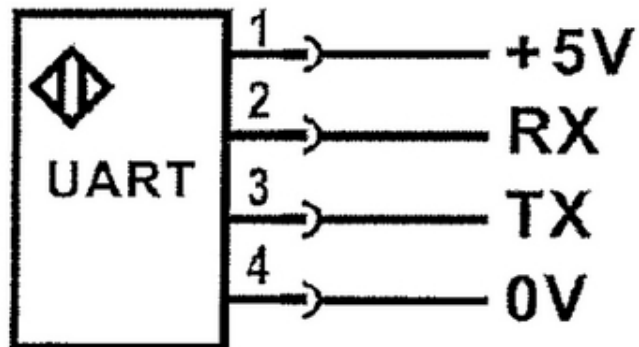
### Description

- By detecting the phase difference of the light pulse to perceive the distance between the target, sensor can achieve the millimeter resolution.
- The unique HALIOS photoelectric detection technology enhances the strong light immunity, adapts to the outdoor strong sunlight environment, has strong temperature adaptability and small drift.
- Solid solution; limited influence by color of target and Surface roughness and material in testing result.
- Small size, small photosensitive surface, low product height
- Connection:4 core, 0.8mm spacing connector

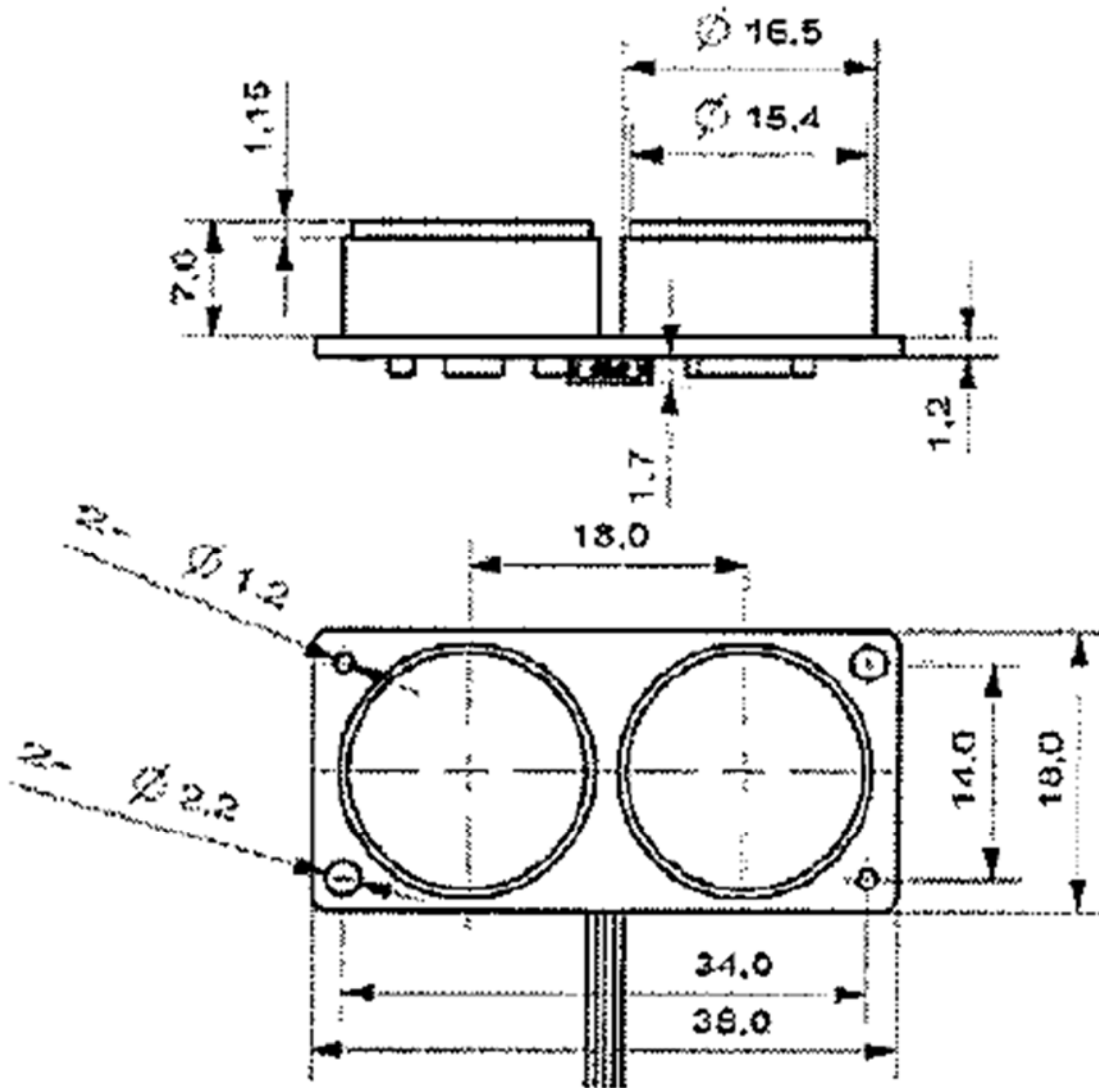
## Specification

- Item: PSK-CM8JL65-CC5
- Voltage: 5VDC
- Current:  $\leq 85\text{mA}$
- Light source: Infrared LED (850nm)
- Ambient light: 100.0001x
- Divergence angle:  $\pm 1.4^\circ$
- Output: UART-TTL
- Response efficiency: 25HZ
- Testing range: 0.17-8m
- Resolution: 1mm
- Repeatability: 6%
- Detection accuracy: 5%
- Color sensitivity:  $\leq 10\%$
- Temperature:  $-15$  to  $+55^\circ\text{C}$
- Protection level: IP50
- Material: ABS
- Connection: 4 core, 0.8mm spacing connector
- Weight:  $\leq 10\text{g}$

Connection Diagram:



Dimension:



### ECCN/HTS

ECCN	6A992
HSCODE	