

4

3

2

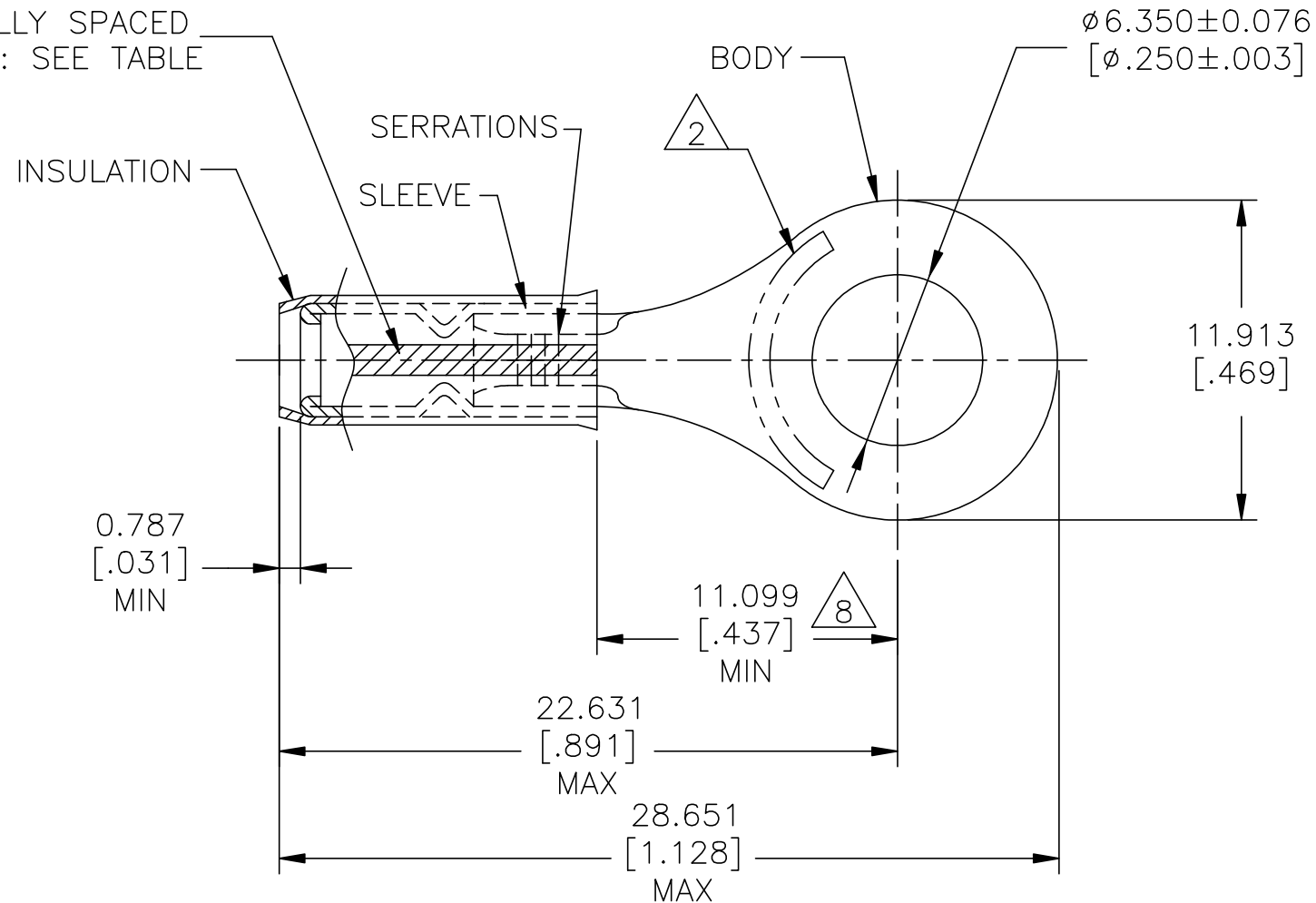
1

© B TE Connectivity. All Rights Reserved.

REVISIONS

P	LTR	DESCRIPTION	DATE	DWN	APVD
B		REVISED PER ECR-23-175984	30MAY2023	BB	DSC

3 STRIPES EQUALLY SPACED FOR COLOR CODE: SEE TABLE



- NOTE DELETED
- STAMP "AMP 22-18\*" APPROX AS SHOWN
- WIRE INSULATION DIAMETER: SEE TABLE
- BODY MATERIAL THK: 0.787±0.051 [.031±.002]
- MATERIAL:  
BODY & SLEEVE - COPPER PER ASTM B152  
INSULATION - NYLON
- FINISH:  
BODY & SLEEVE - TIN PLATE 0.00254 [.000100]  
MIN EXT THK PER ASTM B545  
INSULATION COLOR - RED
- FINISH:  
BODY & SLEEVE - TIN PLATE 0.00305 [.000120]  
MIN EXT THK PER ASTM B545  
INSULATION COLOR - RED
- APPLIES FROM EDGE OF METAL WIRE BARREL TO CENTER OF STUD HOLE

1000	LOOSE PIECE	WHITE	1.422 [.056] - 2.794 [.110]	18	7	132250-3
1000	LOOSE PIECE	RED	1.168 [.046] - 2.794 [.110]	20	7	132250-2
250	LOOSE PIECE	GREEN	0.965 [.038] - 2.794 [.110]	22	6	132250-1
QTY	PACKAGE TYPE	STRIPE COLOR	WIRE INSULATION DIAMETER	WIRE SIZE	FINISH	PART NUMBER

AMP INCORPORATED CUSTOMER SERVICE SYSTEMS		MAX RECOMMENDED OPERATING TEMPERATURE: 105°C [221°F] MAX	THIS DRAWING IS A CONTROLLED DOCUMENT.		DWN 12MAY2023 LINGANATHAN P	<b>TE</b> TE Connectivity				
FOR ADDITIONAL PRODUCT INFORMATION OR COPIES OF DRAWINGS AND TECHNICAL DOCUMENTS	PRODUCT INFORMATION CENTER 1-800-522-6752	VOLTAGE RATING: 300 V MAX	DIMENSIONS: mm [INCHES]	TOLERANCES UNLESS OTHERWISE SPECIFIED:	CHK 12MAY2023 SUVARNA, CHETHAN D			NAME		
FOR APPLICATION TOOLING INFORMATION	TOOLING ASSISTANCE CENTER 1-800-722-1111	WIRE RANGE: CIRC MIL AREA: 22 0.38mm² [754] 20 0.60mm² [1,186] 18 0.96mm² [1,900] STRANDED		0 PLC ± - 1 PLC ± - 2 PLC ± - 3 PLC ± 0.127 [.005] 4 PLC ± - ANGLES ± -	APVD 12MAY2023 SUVARNA, CHETHAN D	TERMINAL, RING TONGUE, IR, PIDG™ WIRE SIZE: 22, 20 & 18 AWG				
FOR ORDER ENTRY	1-800-526-5142	THIS DRAWING IS A CONTROLLED DOCUMENT FOR AMP INCORPORATED. IT IS SUBJECT TO CHANGE AND THE CONTROLLING ENGINEERING ORGANIZATION SHOULD BE CONTACTED FOR THE LATEST REVISION.	MATERIAL	FINISH SEE TABLE	APPLICATION SPEC 114-2157	SIZE A3	CAGE CODE 00779	DRAWING NO C-132250	RESTRICTED TO	
			5		WEIGHT -	CUSTOMER DRAWING		SCALE NTS	SHEET 1 of 1	REV B