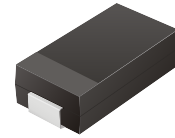


Low VF SMD Schottky Barrier Rectifiers



CDBA320L-G / CDBA340L-G

Reverse Voltage: 20 - 40 Volts
 Forward Current: 3.0 Amp
 RoHS Device

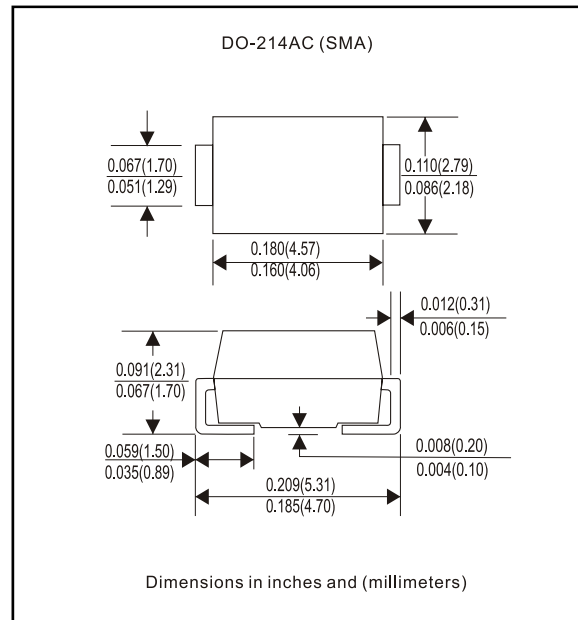


Features

- Ideal for surface mount applications
- Easy pick and place
- Plastic package has Underwriters Lab. flammability classification 94V-0
- Built-in strain relief
- Super Low forward voltage drop

Mechanical data

- Case: JEDEC DO-214AC molded plastic
- Terminals: solderable per MIL-STD-750, method 2026
- Polarity: Color band denotes cathode end
- Approx. weight: 0.064 gram



Maximum Ratings and Electrical Characteristics

Parameter	Symbol	CDBA320L-G	CDBA340L-G	Unit
Max. Repetitive Peak Reverse Voltage	V _{RRM}	20	40	V
Max. DC Blocking Voltage	V _{DC}	20	40	V
Max. RMS Voltage	V _{RMS}	14	28	V
Peak Surge Forward Current 8.3ms single half sine-wave superimposed on rate load (JEDEC method)	I _{FSM}	80		A
Max. Average Forward Current	I _o	3.0		A
Max. Instantaneous Forward Current at 3.0 A	V _F	0.38	0.40	V
Max. DC Reverse Current at Rated DC Blocking Voltage Ta=25°C	I _R	1.5		mA
Ta=80 °C		60		
Typical Thermal Resistance (Note 2)	R _{θJA}	88		°C/W
	R _{θJL}	20		
Max. Operating Junction Temperature	T _j	125		°C
Storage Temperature	T _{STG}	- 50 to + 125		°C

Single phase half wave, 60 Hz, resistive or inductive load. For capacitive load, derate current by 20%.

Note 1: Thermal resistance from junction to ambient and junction to lead mounted on P.C.B. with 0.2 x 0.2 inch² copper pad areas

Rev. A

Rating and Characteristic Curves (CDBA320L-G Thru CDBA340L-G)

Fig. 1 - Reverse Characteristics

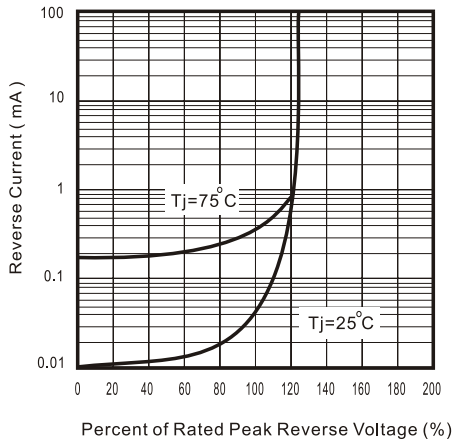


Fig. 2 - Forward Characteristics

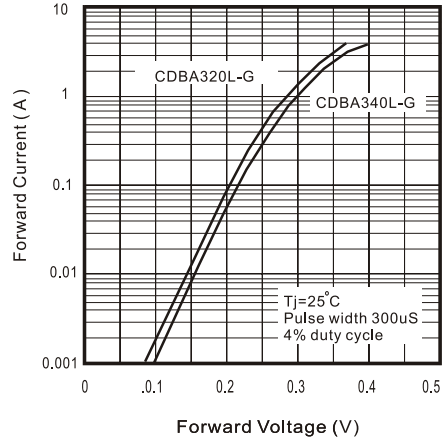


Fig. 3 - Junction Capacitance

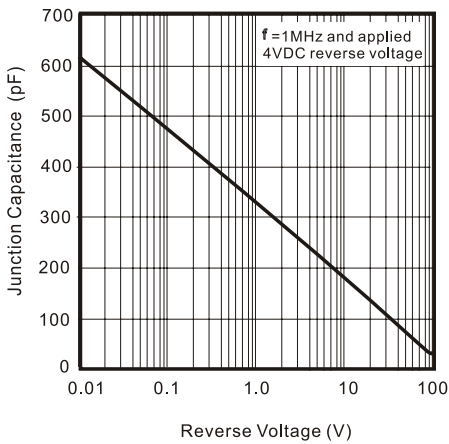


Fig. 4 - Current Derating Curve

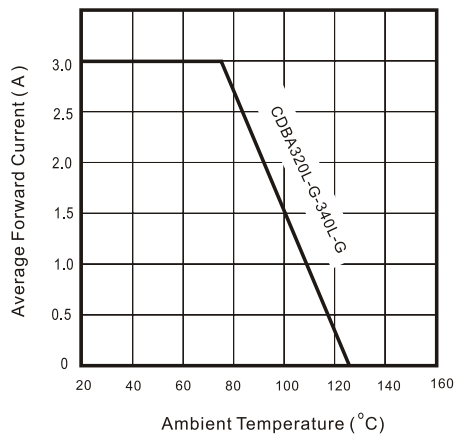


Fig. 5 - Non repetitive Forward Surge Current

