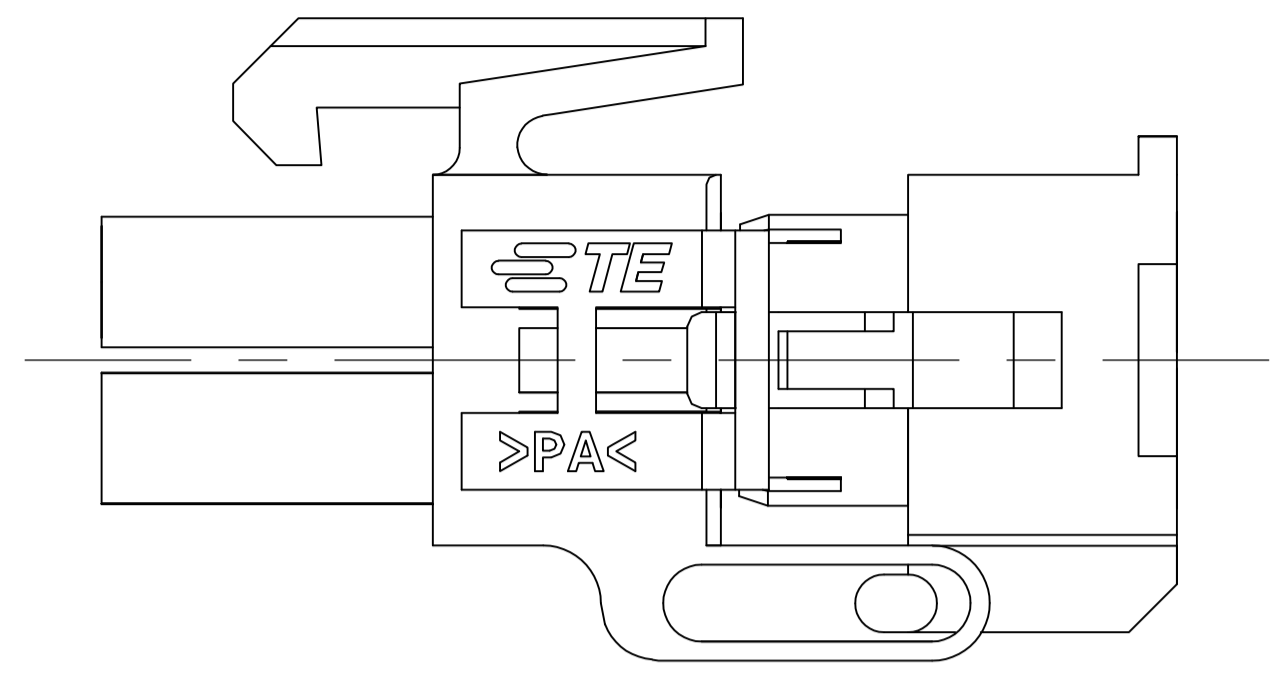
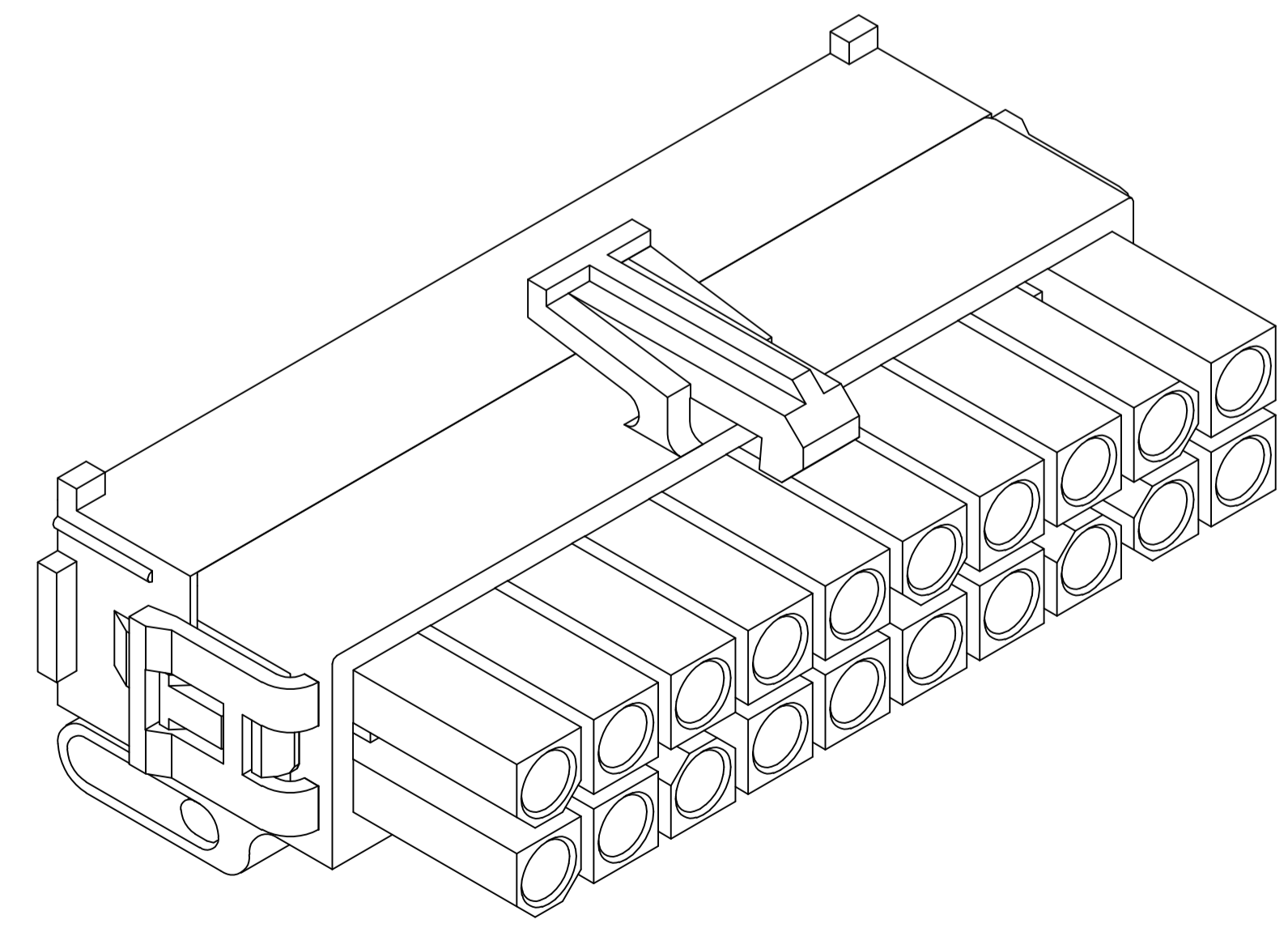
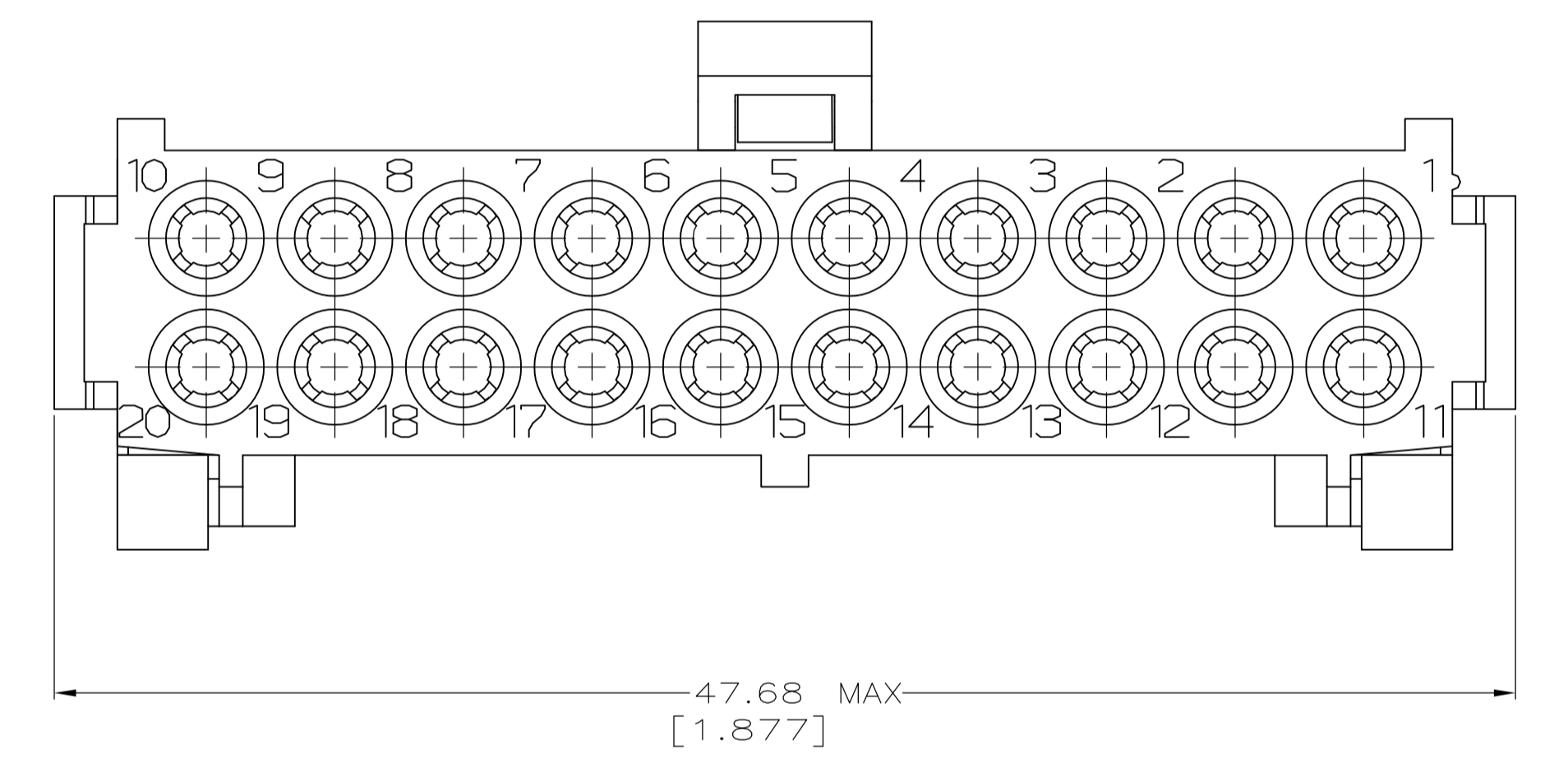
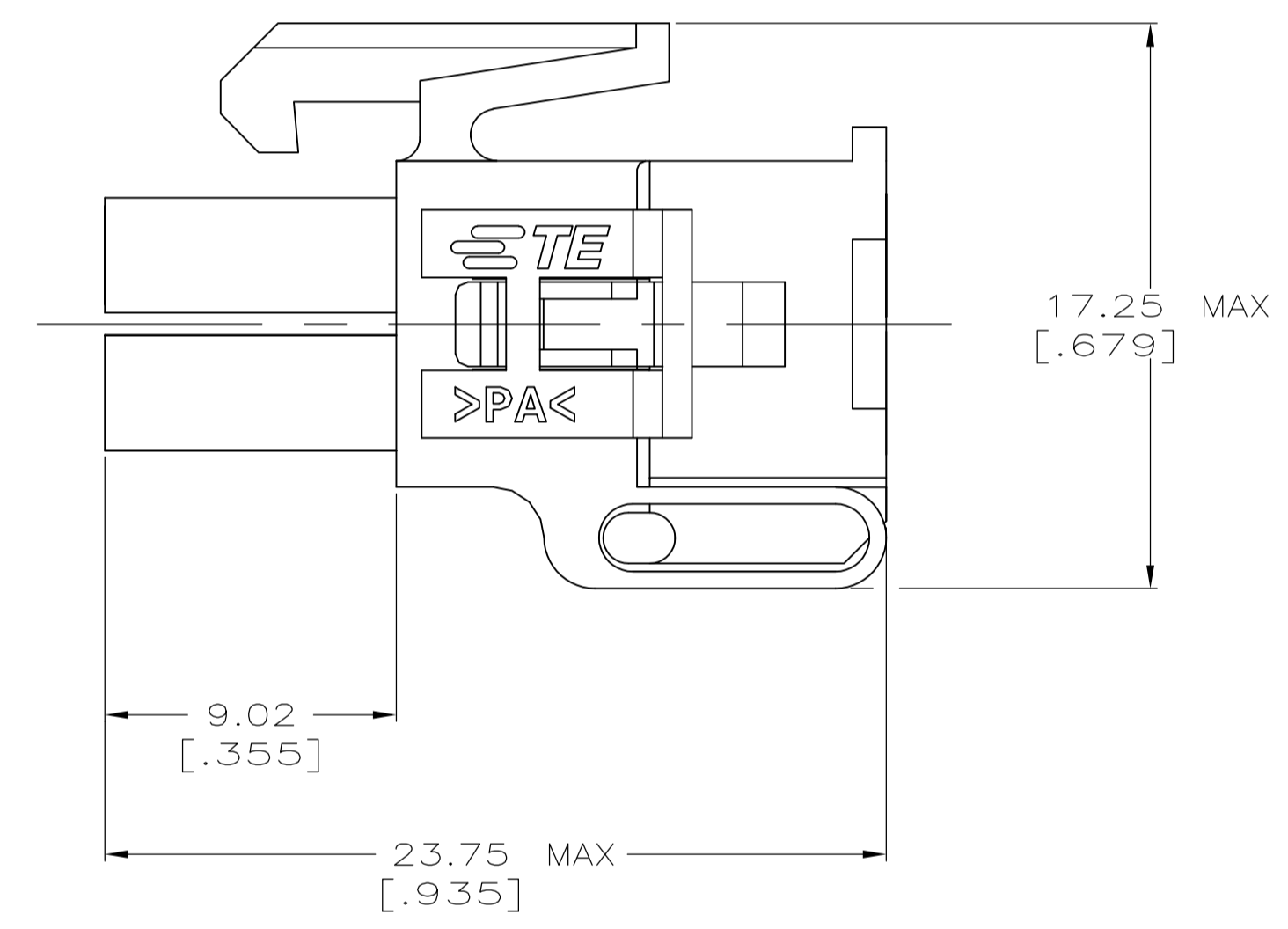
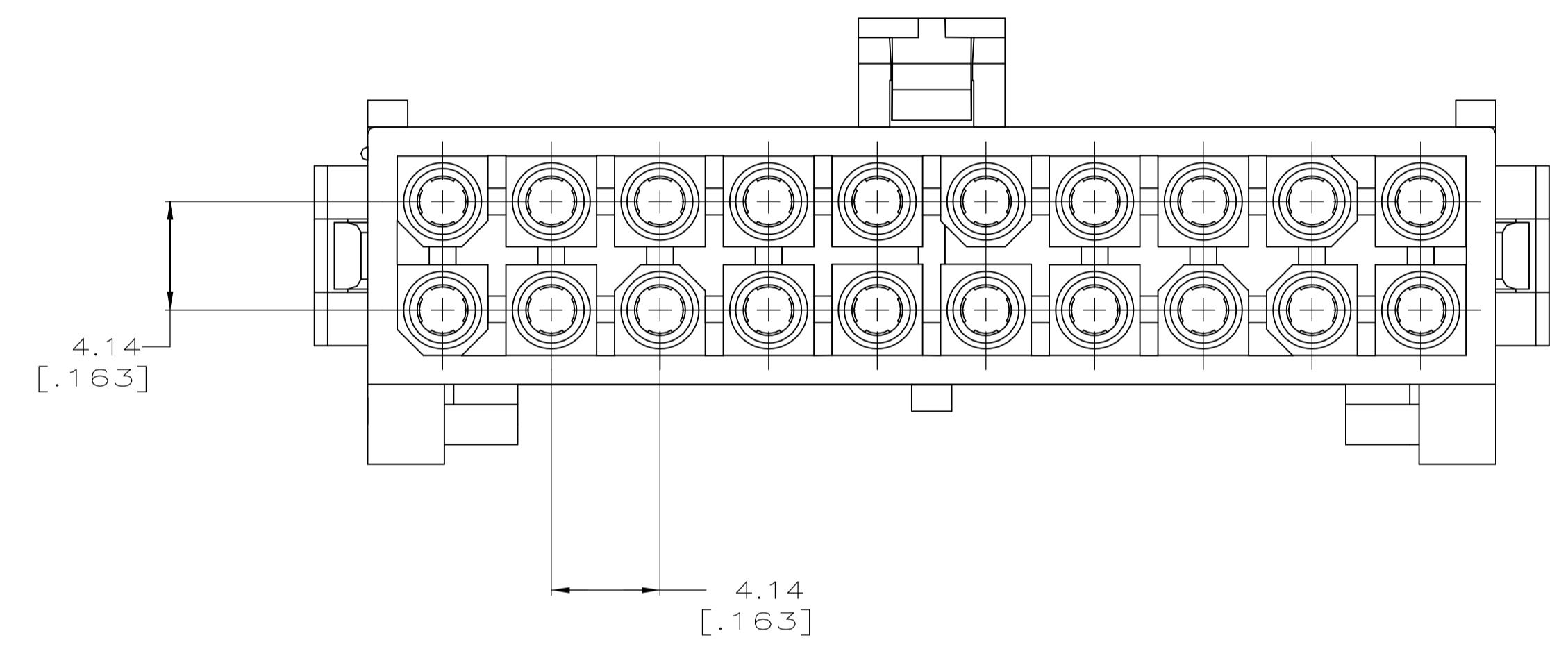


LOC		DIST		REVISIONS			
P	LTR	DESCRIPTION	DATE	DMN	APVD		
C2		REVISED PER ECR-15-003326	06MAR15	SC	KD		



PRE-STAGED CONDITION

1 DIMENSIONS IN BRACKETS ARE IN INCHES.



3-DIMENSIONAL MODEL NTS

794210-1
PART NUMBER

THIS DRAWING IS A CONTROLLED DOCUMENT.		DIN K. WHITAKER 5-20-97	TE Connectivity
		CHK R. SWING 5-20-97	
DIMENSIONS:		APVD R. ORSTAD 5-20-97	NAME
mm	TOLERANCES UNLESS OTHERWISE SPECIFIED:	PRODUCT SPEC	PLUG, 20 CIRCUIT, MINI UNIVERSAL MATE-N-LOK
	0. PLC ± -	APPLICATION SPEC	SIZE
	1. PLC ± -	ANGLE	CAGE CODE
	2. PLC ± -		DRAWING NO
	3. PLC ± 0.13 [.005]		RESTRICTED TO
	4. PLC ± -		A1 00779 C=794210
	ANGLES ± -		
MATERIAL NYLON, UL94V-0, NATURAL	FINISH	WEIGHT	CUSTOMER DRAWING
		SCALE	5:1
		SHEET	1 OF 1
		REV	C2