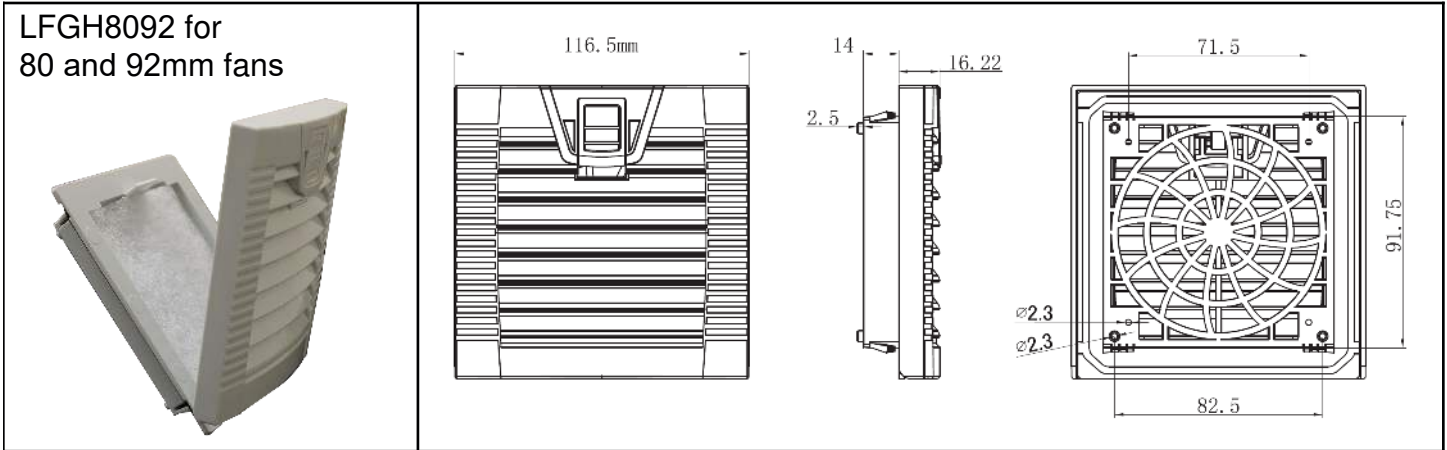


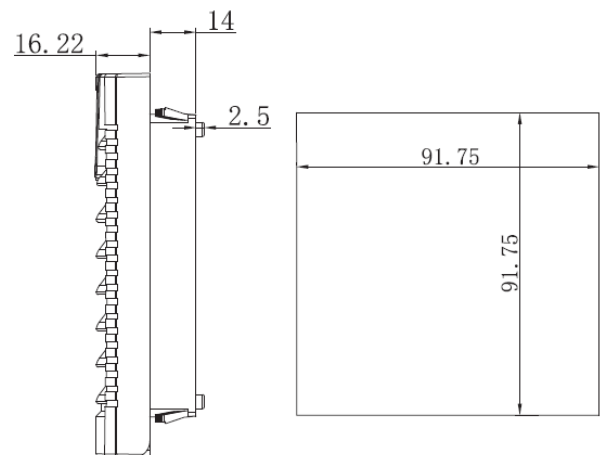
Louvered Fan Guards (hinged type)

Easy Access to Media



Part Number	LFGH8092
Frame Description	ABS Resin - flame resistant UL94V-0, with UV protection. Vents with screens at 45-degree angle. Includes high foam sealing edge - protection grade IP44-IP54. Snap-fit mount.
Filter Mesh Material	Nylon Fiber - Synthetic Resin, filters to 8 microns.
Color	Gray is standard. Black is available upon request. Minimums may apply.
Matching Series	OA825AP, OA80AP, OA92AP, OA938AP, OD8015, OD8025, OD8032, OD8038, OD9220, OD9225, OD9238
Hardware	1 bag - 4 ea. - self tapping screws

Filter Media 5-Packs	
Part Number	Description
	For LFGH8092



PANEL CUTOUT