



PRELIMINARY

## 87C51/80C51BH/80C31BH CHMOS SINGLE-CHIP 8-BIT MICROCONTROLLER

*Commercial/Express*

87C51/80C51BH/80C51BHP/80C31BH

\*See Table 1 for Proliferation Options

- High Performance CHMOS EPROM
- 24 MHz Operation
- Improved Quick-Pulse Programming Algorithm
- 3-Level Program Memory Lock
- Boolean Processor
- 128-Byte Data RAM
- 32 Programmable I/O Lines
- Two 16-Bit Timer/Counters
- Extended Temperature Range (-40°C to +85°C)
- 5 Interrupt Sources
- Programmable Serial Port
- TTL- and CMOS-Compatible Logic Levels
- 64K External Program Memory Space
- 64K External Data Memory Space
- ONCE Mode Facilitates System Testing
- Power Control Modes
  - Idle
  - Power Down

### MEMORY ORGANIZATION

**PROGRAM MEMORY:** Up to 4 Kbytes of the program memory can reside on-chip (except 80C31BH). In addition the device can address up to 64K of program memory external to the chip.

**DATA MEMORY:** This microcontroller has a 128 x 8 on-chip RAM. In addition it can address up to 64 Kbytes of external data memory.

The Intel 87C51/80C51BH/80C31BH is a single-chip control-oriented microcontroller which is fabricated on Intel's reliable CHMOS III-E technology. Being a member of the MCS<sup>®</sup> 51 controller family, the 87C51/80C51BH/80C31BH uses the same powerful instruction set, has the same architecture, and is pin-for-pin compatible with the existing MCS 51 controller family of products.

The 80C51BHP is identical to the 80C51BH. When ordering the 80C51BHP, customers must submit the 64 byte encryption table together with the ROM code. Lock bit 1 will be set to enable the internal ROM code protection and at the same time allows code verification.

The extremely low operating power, along with the two reduced power modes, Idle and Power Down, make this part very suitable for low power applications. The Idle mode freezes the CPU while allowing the RAM, timer/counters, serial port and interrupt system to continue functioning. The Power Down mode saves the RAM contents but freezes the oscillator, causing all other chip functions to be inoperative.

For the remainder of this document, the 87C51, 80C51BH, and 80C31BH will be referred to as the 87C51/BH, unless information applies to a specific device.

\*Other brands and names are the property of their respective owners.

Information in this document is provided in connection with Intel products. Intel assumes no liability whatsoever, including infringement of any patent or copyright, for sale and use of Intel products except as provided in Intel's Terms and Conditions of Sale for such products. Intel retains the right to make changes to these specifications at any time, without notice. Microcomputer Products may have minor variations to this specification known as errata.

Table 1. Proliferation Options

|          | *Standard | -1 | -2 | -24 |
|----------|-----------|----|----|-----|
| 80C31BH  | X         | X  | X  | X   |
| 80C51BH  | X         | X  | X  | X   |
| 80C51BHP | X         | X  | X  | X   |
| 87C51    | X         | X  | X  | X   |

NOTES:

- \* 3.5 MHz to 12 MHz; V<sub>CC</sub> = 5V ± 20%
- 1 3.5 MHz to 16 MHz; V<sub>CC</sub> = 5V ± 20%
- 2 0.5 MHz to 12 MHz; V<sub>CC</sub> = 5V ± 20%
- 24 3.5 MHz to 24 MHz; V<sub>CC</sub> = 5V ± 20%

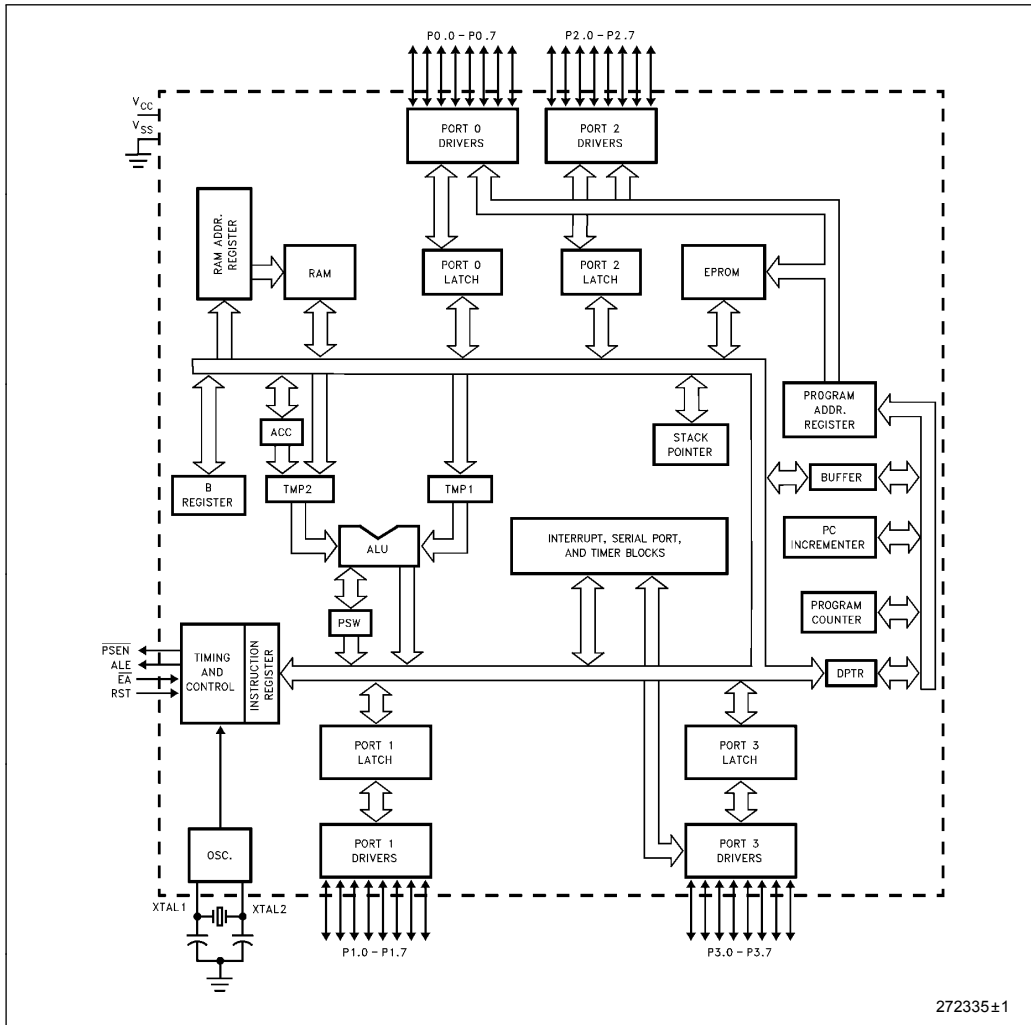


Figure 1. 87C51/BH Block Diagram

**PROCESS INFORMATION**

The 87C51-BH is manufactured on the CHMOS III-E process. Additional process and reliability information is available in the Intel® *Quality System Handbook*.

**PACKAGES**

| Part     | Package Type             |
|----------|--------------------------|
| 87C51-BH | 40-Pin Plastic DIP (OTP) |
|          | 40-Pin CERDIP (EPROM)    |
|          | 44-Pin PLCC (OTP)        |
|          | 44-Pin QFP (OTP)         |

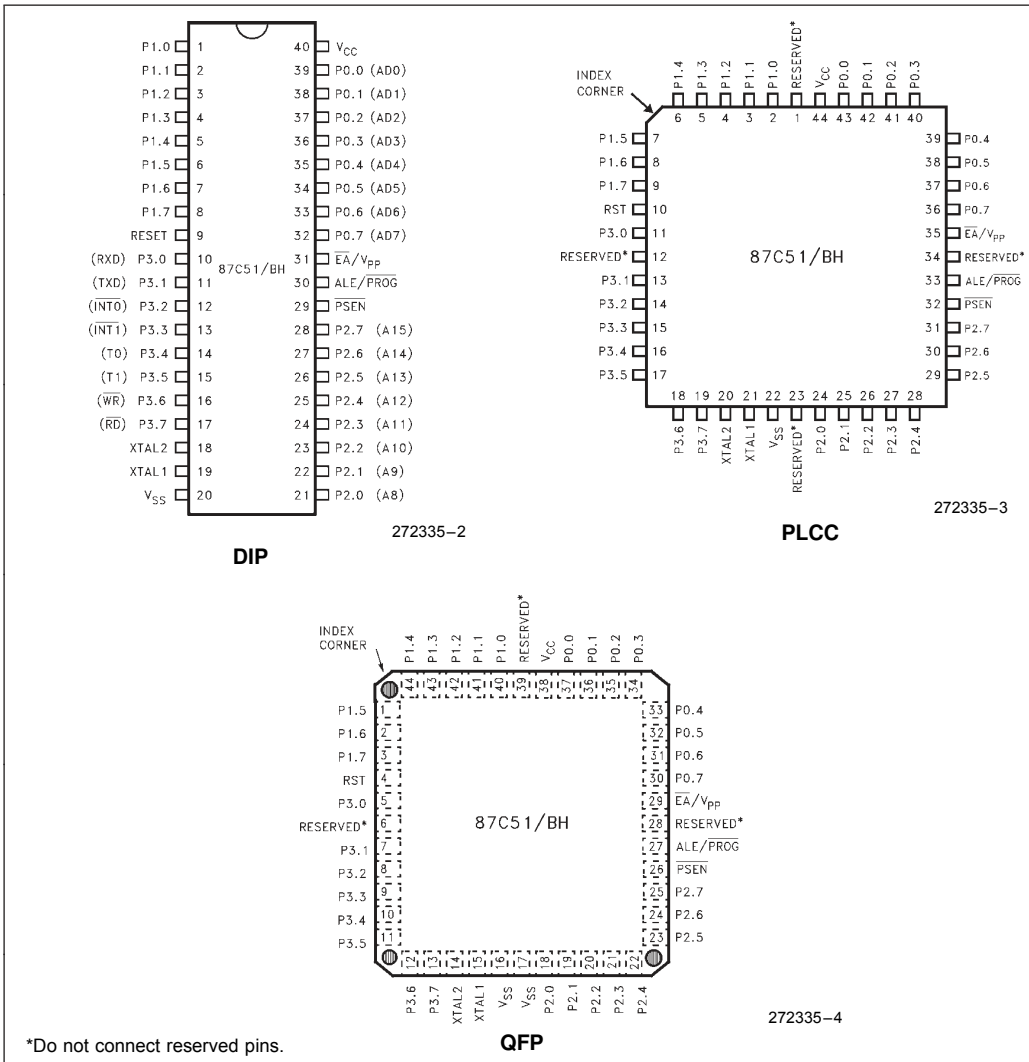


Figure 2. Pin Connections

## PIN DESCRIPTION

$V_{CC}$ : Supply voltage during normal, Idle and Power Down operations.

$V_{SS}$ : Circuit ground.

**Port 0:** Port 0 is an 8-bit open drain bidirectional I/O port. As an output port each pin can sink several LS TTL inputs. Port 0 pins that have 1's written to them float, and in that state can be used as high-impedance inputs.

Port 0 is also the multiplexed low-order address and data bus during accesses to external memory. In this application it uses strong internal pullups when emitting 1's.

Port 0 also receives the code bytes during EPROM programming, and outputs the code bytes during program verification. External pullups are required during program verification.

**Port 1:** Port 1 is an 8-bit bidirectional I/O port with internal pullups. The Port 1 output buffers can drive LS TTL inputs. Port 1 pins that have 1's written to them are pulled high by the internal pullups, and in that state can be used as inputs. As inputs, Port 1 pins that are externally pulled low will source current ( $I_{IL}$ , on the data sheet) because of the internal pullups.

Port 1 also receives the low-order address bytes during EPROM programming and program verification.

**Port 2:** Port 2 is an 8-bit bidirectional I/O port with internal pullups. Port 2 pins that have 1's written to them are pulled high by the internal pullups, and in that state can be used as inputs. As inputs, Port 2 pins that are externally pulled low will source current ( $I_{IL}$ , on the data sheet) because of the internal pullups.

Port 2 emits the high-order address byte during fetches from external Program memory and during accesses to external Data Memory that use 16-bit address (MOVX @DPTR). In this application it uses strong internal pullups when emitting 1's.

During accesses to external Data Memory that use 8-bit addresses (MOVX @Ri), Port 2 emits the contents of the P2 Special Function Register.

Port 2 also receives some control signals and the high-order address bits during EPROM programming and program verification.

**Port 3:** Port 3 is an 8-bit bidirectional I/O port with internal pullups. The Port 3 output buffers can drive LS TTL inputs. Port 3 pins that have 1's written to them are pulled high by the internal pullups, and in that state can be used as inputs. As inputs, Port 3 pins that are externally pulled low will source current ( $I_{IL}$ , on the data sheet) because of the pullups.

Port 3 also serves the functions of various special features of the MCS-51 Family, as listed below:

| Pin  | Name              | Alternate Function                |
|------|-------------------|-----------------------------------|
| P3.0 | RXD               | Serial input line                 |
| P3.1 | TXD               | Serial output line                |
| P3.2 | $\overline{INT0}$ | External Interrupt 0              |
| P3.3 | $\overline{INT1}$ | External Interrupt 1              |
| P3.4 | T0                | Timer 0 external input            |
| P3.5 | T1                | Timer 1 external input            |
| P3.6 | $\overline{WR}$   | External Data Memory Write strobe |
| P3.7 | $\overline{RD}$   | External Data Memory Read strobe  |

Port 3 also receives some control signals for EPROM programming and program verification.

**RST:** Reset input. A high on this pin for two machine cycles while the oscillator is running resets the device. The port pins will be driven to their reset condition when a minimum  $V_{IH1}$  voltage is applied whether the oscillator is running or not. An internal pull-down resistor permits a power-on reset with only a capacitor connected to  $V_{CC}$ .

**ALE/ $\overline{PROG}$ :** Address Latch Enable output signal for latching the low byte of the address during accesses to external memory. This pin is also the program pulse input ( $\overline{PROG}$ ) during EPROM programming for the 87C51.

If desired, ALE operation can be disabled by setting bit 0 of SFR location 8EH. With this bit set, the pin is weakly pulled high. However, the ALE disable feature will be suspended during a MOVX or MOVC instruction, idle mode, power down mode and ICE mode. The ALE disable feature will be terminated by reset. When the ALE disable feature is suspended or terminated, the ALE pin will no longer be pulled up weakly. Setting the ALE-disable bit has no effect if the microcontroller is in external execution mode.

In normal operation ALE is emitted at a constant rate of 1/6 the oscillator frequency, and may be used for external timing or clocking purposes. Note, however, that one ALE pulse is skipped during each access to external Data Memory.

**PSEN:** Program Store Enable is the Read strobe to External Program Memory. When the 87C51/BH is executing from Internal Program Memory, PSEN is inactive (high). When the device is executing code from External Program Memory, PSEN is activated twice each machine cycle, except that two PSEN activations are skipped during each access to External Data Memory.

**EA/Vpp:** External Access enable. EA must be strapped to VSS in order to enable the 87C51/BH to fetch code from External Program Memory locations starting at 0000H up to FFFFH. Note, however, that if either of the Lock Bits is programmed, the logic level at EA is internally latched during reset.

EA must be strapped to VCC for internal program execution.

This pin also receives the programming supply voltage (Vpp) during EPROM programming.

**XTAL1:** Input to the inverting oscillator amplifier.

**XTAL2:** Output from the inverting oscillator amplifier.

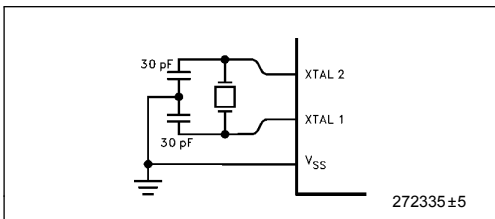


Figure 3. Using the On-Chip Oscillator

### OSCILLATOR CHARACTERISTICS

XTAL1 and XTAL2 are the input and output, respectively, of an inverting amplifier which can be configured for use as an on-chip oscillator, as shown in Figure 3.

To drive the device from an external clock source, XTAL1 should be driven, while XTAL2 is left unconnected, as shown in Figure 4. There are no requirements on the duty cycle of the external clock signal, since the input to the internal clocking circuitry is through a divide-by-two flip-flop, but minimum and maximum high and low times specified on the data sheet must be observed.

An external oscillator may encounter as much as a 100 pF load at XTAL1 when it starts up. This is due to interaction between the amplifier and its feedback capacitance. Once the external signal meets the VIL and VIH specifications the capacitance will not exceed 20 pF.

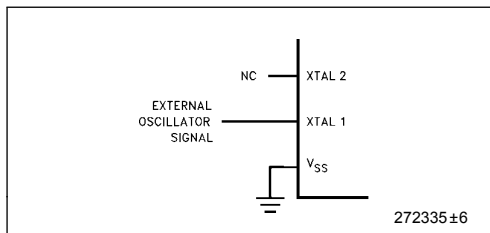


Figure 4. External Clock Drive

## IDLE MODE

In Idle Mode, the CPU puts itself to sleep while all the on-chip peripherals remain active. The mode is invoked by software. The content of the on-chip RAM and all the Special Functions Registers remain unchanged during this mode. The Idle Mode can be terminated by any enabled interrupt or by a hardware reset.

It should be noted that when Idle is terminated by a hardware reset, the device normally resumes program execution, from where it left off, up to two machine cycles before the internal reset algorithm takes control. On-chip hardware inhibits access to internal RAM in this event, but access to the port pins is not inhibited. To eliminate the possibility of an unexpected write to a port pin when Idle is terminated by reset, the instruction following the one that invokes Idle should not be one that writes to a port pin or to external memory.

## POWER DOWN MODE

To save even more power, a Power Down mode can be invoked by software. In this mode, the oscillator is stopped and the instruction that invoked Power Down is the last instruction executed. The on-chip RAM and Special Function Registers retain their values until the Power Down mode is transmitted.

On the 87C51/BH either a hardware reset or an external interrupt can cause an exit from Power Down. Reset redefines all the SFR's but does not change

the on-chip RAM. An external interrupt allows both the SFRs and on-chip RAM to retain their values.

To properly terminate Power Down, the reset or external interrupt should not be executed before  $V_{CC}$  is restored to its normal operating level, and must be held active long enough for the oscillator to restart and stabilize (normally less than 10 ms).

With an external interrupt INT0 and INT1 must be enabled and configured as level-sensitive. Holding the pin low restarts the oscillator but bringing the pin back high completes the exit. Once the interrupt is serviced, the next instruction to be executed after RET1 will be the one following the instruction that put the device into Power Down.

## DESIGN CONSIDERATIONS

- Exposure to light when the device is in operation may cause logic errors. For this reason, it is suggested that an opaque label be placed over the window when the die is exposed to ambient light.
- The 87C51/BH now have some additional features. The features are: asynchronous port reset, 4 interrupt priority levels, power off flag, ALE disable, serial port automatic address recognition, serial port framing error detection, 64-byte encryption array, and 3 program lock bits. These features cannot be used with the older versions of 80C51BH/80C31BH. The newer version of 80C51BH/80C31BH will have change identifier "A" appended to the lot number.

**Table 2. Status of the External Pins during Idle and Power Down**

| Mode       | Program Memory | ALE | $\overline{PSEN}$ | PORT0 | PORT1 | PORT2   | PORT3 |
|------------|----------------|-----|-------------------|-------|-------|---------|-------|
| Idle       | Internal       | 1   | 1                 | Data  | Data  | Data    | Data  |
| Idle       | External       | 1   | 1                 | Float | Data  | Address | Data  |
| Power Down | Internal       | 0   | 0                 | Data  | Data  | Data    | Data  |
| Power Down | External       | 0   | 0                 | Float | Data  | Data    | Data  |



## ONCE MODE

The ONCE ("On-Circuit Emulation") mode facilitates testing and debugging of systems using the 87C51/BH without the 87C51/BH having to be removed from the circuit. The ONCE mode is invoked by:

1. Pull ALE low while the device is in reset and  $\overline{\text{PSEN}}$  is high;
2. Hold ALE low as RST is deactivated.

While the device is in ONCE mode, the Port 0 pins float, and the other port pins and ALE and  $\overline{\text{PSEN}}$  are weakly pulled high. The oscillator circuit remains active. While the 87C51/BH is in this mode, an emulator or test CPU can be used to drive the circuit. Normal operation is restored when a normal reset is applied.

## 87C51/BH EXPRESS

The Intel EXPRESS system offers enhancements to the operational specifications of the MCS-51 family of microcontrollers. These EXPRESS products are designed to meet the needs of those applications whose operating requirements exceed commercial temperature.

The EXPRESS program includes the commercial standard temperature range with burn-in and an extended temperature range with or without burn-in.

With the commercial standard temperature range, operational characteristics are guaranteed over the temperature range of 0°C to 70°C. With the extended temperature range option, operational characteristics are guaranteed over the range of -40°C to +85°C.

The optional burn-in is dynamic for a minimum time of 160 hours at 125°C with  $V_{CC} = 6.9V \pm 0.25V$ , following guidelines in MIL-STD-883, Method 1015.



**ABSOLUTE MAXIMUM RATINGS:**

Ambient Temperature Under Bias.... -40°C to +85°C  
 Storage Temperature..... -65°C to +150°C  
 Voltage on  $\overline{EA}/V_{PP}$  Pin to  $V_{SS}$ ..... 0V to +13.0V  
 Voltage on Any Other Pin to  $V_{SS}$ ..... -0.5V to +6.5V  
 Maximum  $I_{OL}$  per I/O Pin.....15mA  
 Power Dissipation.....1.5W  
 (Based on package heat transfer limitations, not device power consumption.)

NOTICE: This data sheet contains preliminary information on new products in production. It is valid for the devices indicated in the revision history. The specifications are subject to change without notice.

*\*WARNING: Stressing the device beyond the "Absolute Maximum Ratings" may cause permanent damage. These are stress ratings only. Operation beyond the "Operating Conditions" is not recommended and extended exposure beyond the "Operating Conditions" may affect device reliability.*

**OPERATING CONDITIONS**

| Symbol    | Description                    | Min | Max | Unit |
|-----------|--------------------------------|-----|-----|------|
| $T_A$     | Ambient Temperature Under Bias | 0   | +70 | °C   |
|           | Commercial                     |     |     |      |
| $V_{CC}$  | Supply Voltage                 | 4.5 | 5.5 | V    |
|           | Express-40                     |     |     |      |
| $f_{OSC}$ | Oscillator Frequency           | 3.5 | 12  | MHz  |
|           | 87C51/BH                       |     |     |      |
|           | 87C51-1/BH-1                   |     |     |      |
|           | 87C51-2/BH-2                   |     |     |      |
|           | 87C51-24/BH-24                 |     |     |      |

**DC CHARACTERISTICS** (Over Operating Conditions)

All parameter values apply to all devices unless otherwise indicated.

| Symbol    | Parameter   | Min                | Typ <sup>(1)</sup> | Max                | Unit | Test Conditions                 |
|-----------|---|--------------------|--------------------|--------------------|------|---------------------------------|
| $V_{IL}$  | Input Low Voltage                                 | -0.5               |                    | $0.2 V_{CC} - 0.1$ | V    |                                 |
|           | Commercial  |                    |                    |                    |      |                                 |
| $V_{IL1}$ | Input Low Voltage $\overline{EA}$                 | 0                  |                    | $0.2 V_{CC} - 0.3$ | V    |                                 |
|           | Commercial  |                    |                    |                    |      |                                 |
| $V_{IH}$  | Input High Voltage (Except XTAL1, RST)            | $0.2 V_{CC} + 0.9$ |                    | $V_{CC} + 0.5$     | V    |                                 |
|           | Commercial  |                    |                    |                    |      |                                 |
| $V_{IH1}$ | Input High Voltage (XTAL1, RST)                   | $0.7 V_{CC}$       |                    | $V_{CC} + 0.5$     | V    |                                 |
|           | Commercial  |                    |                    |                    |      |                                 |
| $V_{OL}$  | Output Low Voltage <sup>(6)</sup> (Ports 1, 2, 3) |                    |                    | 0.3                | V    | $I_{OL} = 100 \text{ mA}^{(2)}$ |
|           |   |                    |                    | 0.45               | V    | $I_{OL} = 1.6 \text{ mA}^{(2)}$ |
|           |   |                    |                    | 1.0                | V    | $I_{OL} = 3.5 \text{ mA}^{(2)}$ |



**DC CHARACTERISTICS** (Over Operating Conditions) (Continued)

| Symbol           | Parameter   | Min                   | Typ <sup>(1)</sup>               | Max  | Unit                                       | Test Conditions                          |
|------------------|---|-----------------------|----------------------------------|--|--|--|
| V <sub>OL1</sub> | Output Low Voltage <sup>(6)</sup><br>(Port 0, ALE, PSEN)  |                       |                                  | 0.3  | V  | I <sub>OL</sub> = 200 μA <sup>(2)</sup>  |
|                  |   |                       |                                  | 0.45   | V  | I <sub>OL</sub> = 3.2 mA <sup>(2)</sup>  |
|                  |   |                       |                                  | 1.0  | V  | I <sub>OL</sub> = 7.0 mA <sup>(2)</sup>  |
| V <sub>OH</sub>  | Output High Voltage<br>(Ports 1, 2, 3, ALE, PSEN)   | V <sub>CC</sub> - 0.3 |                                  |  | V  | I <sub>OH</sub> = -10 μA <sup>(3)</sup>  |
|                  |   | V <sub>CC</sub> - 0.7 |                                  |  | V  | I <sub>OH</sub> = -30 μA <sup>(3)</sup>  |
|                  |   | V <sub>CC</sub> - 1.5 |                                  |  | V  | I <sub>OH</sub> = -60 μA <sup>(3)</sup>  |
| V <sub>OH1</sub> | Output High Voltage<br>(Port 0 in External Bus Mode)  | V <sub>CC</sub> - 0.3 |                                  |  | V  | I <sub>OH</sub> = -200 μA <sup>(3)</sup> |
|                  |   | V <sub>CC</sub> - 0.7 |                                  |  | V  | I <sub>OH</sub> = -3.2 mA <sup>(3)</sup> |
|                  |   | V <sub>CC</sub> - 1.5 |                                  |  | V  | I <sub>OH</sub> = -7.0 mA <sup>(3)</sup> |
| I <sub>IL</sub>  | Logical 0 Input Current<br>(Ports 1, 2, 3)<br>Commercial<br>Express   |                       |                                  | -50<br>-75                                     | μA<br>μA                                   | V <sub>IN</sub> = 0.45V                  |
| I <sub>LI</sub>  | Input Leakage Current<br>(Port 0)   |                       |                                  | ±10  | μA   | 0.45 < V <sub>IN</sub> < V <sub>CC</sub> |
| I <sub>TL</sub>  | Logical 1-to-0 Transition Current<br>(Ports 1, 2, 3)<br>Commercial<br>Express   |                       |                                  | -650<br>-750                                   | μA<br>μA                                   | V <sub>IN</sub> = 2V                     |
| RRST             | RST Pulldown Resistor   | 40                    |                                  | 225  | kΩ   |  |
| C <sub>IO</sub>  | Pin Capacitance   |                       | 10                               |  | pF   | @ 1 MHz, 25°C                            |
| I <sub>CC</sub>  | Power Supply Current<br>Active Mode<br>@ 12 MHz (Figure 5)<br>@ 16 MHz<br>@ 24 MHz<br>Idle Mode<br>@ 12 MHz (Figure 5)<br>@ 16 MHz<br>@ 24 MHz<br>Power Down Mode |                       | 11.5<br><br><br>3.5<br><br><br>5 | 20<br>26<br>38<br><br>7.5<br>9.5<br>13.5<br>50 | mA<br>mA<br>mA<br><br>mA<br>mA<br>mA<br>μA | (Note 4)                                 |

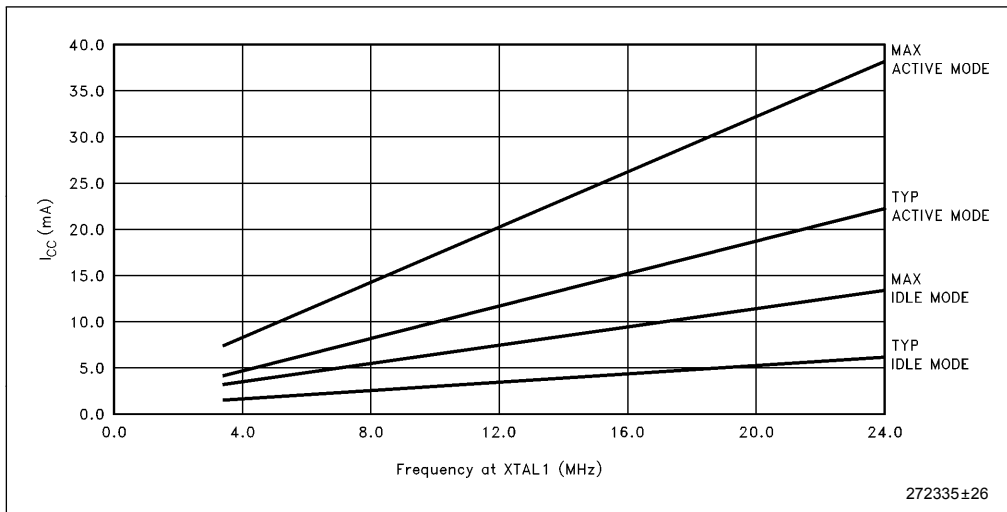


**NOTES:**

1. "Typicals" are based on a limited number of samples taken from early manufacturing lots and are not guaranteed. The values listed are at room temp, 5V.
2. Capacitive loading on Ports 0 and 2 may cause noise pulses above 0.4V to be superimposed on the  $V_{OL}$ s of ALE and Ports 1, 2 and 3. The noise is due to external bus capacitance discharging into the Port 0 and Port 2 pins when these pins change from 1 to 0. In applications where capacitive loading exceeds 100 pF, the noise pulses on these signals may exceed 0.8V. It may be desirable to qualify ALE or other signals with a Schmitt Trigger, or CMOS-level input logic.
3. Capacitive loading on Ports 0 and 2 may cause the  $V_{OH}$  on ALE and  $PSEN$  to momentarily fall below the  $0.9V_{CC}$  specification when the address bits are stabilizing.
4. See Figures 6 through 8 for  $I_{CC}$  test conditions. Minimum  $V_{CC}$  for Power Down is 2V.
5. Under steady state (non-transient) conditions,  $I_{OL}$  must be externally limited as follows:

|   |       |
|---|-------|
| Maximum $I_{OL}$ per port pin:              | 10 mA |
| Maximum $I_{OL}$ per 8-bit port-            |       |
| Port 0:                                     | 26 mA |
| Ports 1, 2, and 3:                          | 15 mA |
| Maximum total $I_{OL}$ for all output pins: | 71 mA |

If  $I_{OL}$  exceeds the test condition,  $V_{OL}$  may exceed the related specification.  
Pins are not guaranteed to sink greater than the listed test conditions.



**Figure 5. 87C51/BH  $I_{CC}$  vs Frequency**

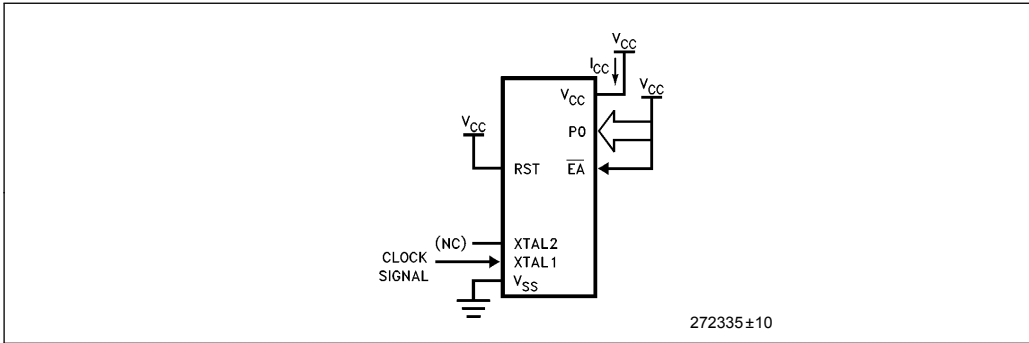


Figure 6.  $I_{CC}$  Test Condition, Active Mode. All other pins are disconnected.

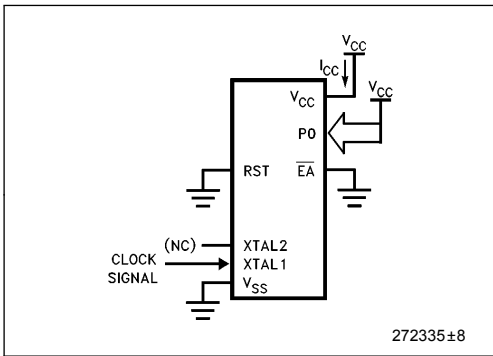


Figure 7.  $I_{CC}$  Test Condition, Idle Mode. All other pins are disconnected.

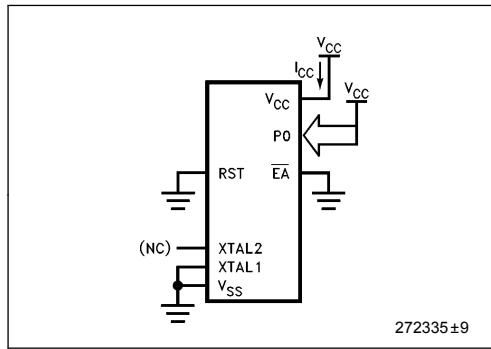


Figure 9.  $I_{CC}$  Test Condition, Power Down Mode. All other pins are disconnected.  $V_{CC} = 2V$  to  $5.5V$ .

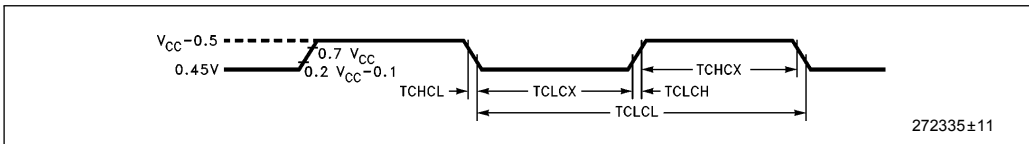


Figure 8. Clock Signal Waveform for  $I_{CC}$  Tests in Active and Idle Modes  
 $TCLCH = TCHCL = 5\text{ ns}$

## EXPLANATION OF THE AC SYMBOLS

Each timing symbol has 5 characters. The first character is always a 'T' (stands for time). The other characters, depending on their positions, stand for the name of a signal or the logical status of that signal. The following is a list of all the characters and what they stand for.

A:Address.

C:Clock.

D:Input data.

H:Logic level HIGH.

I:Instruction (program memory contents).

L:Logic level LOW, or ALE.

P: $\overline{\text{PSEN}}$ .

Q:Output data.

R: $\overline{\text{RD}}$  signal.

T:Time.

V:Valid.

W: $\overline{\text{WR}}$  signal.

X:No longer a valid logic level.

Z:Float.

For example,

TAVLL = Time from Address Valid to ALE Low.

TLLPL = Time from ALE Low to  $\overline{\text{PSEN}}$  Low.

**AC CHARACTERISTICS:** (Over Operating Conditions; Load Capacitance for Port 0, ALE, and  $\overline{\text{PSEN}}$  = 100 pF; Load Capacitance for All Other Outputs = 80 pF)

## EXTERNAL MEMORY CHARACTERISTICS

All parameter values apply to all devices unless otherwise indicated. In this table, 87C51/BH refers to 87C51/BH, 87C51-1/BH-1 and 87C51-2/BH-2.

| Symbol  | Parameter  | Oscillator |     |        |     |                          |                             | Units                    |
|---------|--|------------|-----|--------|-----|--------------------------|-----------------------------|--------------------------|
|         |  | 12 MHz     |     | 24 MHz |     | Variable                 |                             |                          |
|         |  | Min        | Max | Min    | Max | Min                      | Max                         |                          |
| 1/TCLCL | Oscillator Frequency<br>87C51/BH<br>87C51-1/BH-1<br>87C51-2/BH-2<br>87C51-24/BH-24 |            |     |        |     | 3.5<br>3.5<br>0.5<br>3.5 | 12<br>16<br>12<br>24        | MHz<br>MHz<br>MHz<br>MHz |
| TLHLL   | ALE Pulse Width  | 127        |     | 43     |     | 2TCLCL – 40              |                             | ns                       |
| TAVLL   | Address Valid to ALE Low<br>87C51/BH<br>87C51-24/BH-24                             | 43         |     | 12     |     | TCLCL – 40<br>TCLCL – 30 |                             | ns<br>ns                 |
| TLLAX   | Address Hold After ALE Low   | 53         |     | 12     |     | TCLCL – 30               |                             | ns                       |
| TLLIV   | ALE Low to Valid Instr In<br>87C51/BH<br>87C51-24/BH-24                            |            | 234 |        | 91  |                          | 4TCLCL – 100<br>4TCLCL – 75 | ns<br>ns                 |
| TLLPL   | ALE Low to $\overline{\text{PSEN}}$ Low  | 53         |     | 12     |     | TCLCL – 30               |                             | ns                       |
| TPLPH   | $\overline{\text{PSEN}}$ Pulse Width   | 205        |     | 80     |     | 3TCLCL – 45              |                             | ns                       |
| TPLIV   | $\overline{\text{PSEN}}$ Low to Valid Instr In<br>87C51/BH<br>87C51-24/BH-24       |            | 145 |        | 35  |                          | 3TCLCL – 105<br>3TCLCL – 90 | ns<br>ns                 |

**EXTERNAL MEMORY CHARACTERISTICS**

All parameter values apply to all devices unless otherwise indicated. In this table, 87C51/BH refers to 87C51/BH, 87C51-1/BH-1 and 87C51-2/BH-2. (Continued)

| Symbol | Parameter   | Oscillator |     |        |     |                             |                             | Units    |
|--------|---|------------|-----|--------|-----|-----------------------------|-----------------------------|----------|
|        |   | 12 MHz     |     | 24 MHz |     | Variable                    |                             |          |
|        |   | Min        | Max | Min    | Max | Min                         | Max                         |          |
| TPXIX  | Input Instr Hold After $\overline{PSEN}$  | 0          |     | 0      |     | 0                           |                             | ns       |
| TPXIZ  | Input Instr Float After $\overline{PSEN}$<br>87C51/BH<br>87C51-24/BH-24         |            | 59  |        | 21  |                             | TCLCL – 25<br>TCLCL – 20    | ns<br>ns |
|        |   |            |     |        |     |                             |                             |          |
| TAVIV  | Address to Valid Instr In   |            | 312 |        | 103 |                             | 5TCLCL – 105                | ns       |
| TPLAZ  | $\overline{PSEN}$ Low to Address Float  |            | 10  |        | 10  |                             | 10                          | ns       |
| TRLRH  | $\overline{RD}$ Pulse Width   | 400        |     | 150    |     | 6TCLCL – 100                |                             | ns       |
| TWLWH  | $\overline{WR}$ Pulse Width   | 400        |     | 150    |     | 6TCLCL – 100                |                             | ns       |
| TRLDV  | $\overline{RD}$ Low to Valid Data In<br>87C51/BH<br>87C51-24/BH-24              |            | 252 |        | 113 |                             | 5TCLCL – 165<br>5TCLCL – 95 | ns<br>ns |
|        |   |            |     |        |     |                             |                             |          |
| TRHDX  | Data Hold After $\overline{RD}$   | 0          |     | 0      |     | 0                           |                             | ns       |
| TRHDZ  | Data Float After $\overline{RD}$  |            | 107 |        | 23  |                             | 2TCLCL – 60                 | ns       |
| TLLDV  | ALE Low to Valid Data In<br>87C51/BH<br>87C51-24/BH-24                          |            | 517 |        | 243 |                             | 8TCLCL – 150<br>8TCLCL – 90 | ns<br>ns |
|        |   |            |     |        |     |                             |                             |          |
| TAVDV  | Address to Valid Data In<br>87C51/BH<br>87C51-24/BH-24                          |            | 585 |        | 285 |                             | 9TCLCL – 165<br>9TCLCL – 90 | ns<br>ns |
| TLLWL  | ALE Low to $\overline{RD}$ or $\overline{WR}$ Low                               | 200        | 300 | 75     | 175 | 3TCLCL – 50                 | 3TCLCL + 50                 | ns       |
| TAVWL  | Address to $\overline{RD}$ or $\overline{WR}$ Low<br>87C51/BH<br>87C51-24/BH-24 | 203        |     |        |     | 4TCLCL – 130<br>4TCLCL – 90 |                             | ns<br>ns |
|        |   |            |     | 77     |     |                             |                             |          |
| TQVWX  | Data Valid to $\overline{WR}$ Transition<br>87C51/BH<br>80C51-24/BH-24          | 33         |     |        |     | TCLCL – 50<br>TCLCL – 30    |                             | ns<br>ns |
|        |   |            |     | 12     |     |                             |                             |          |

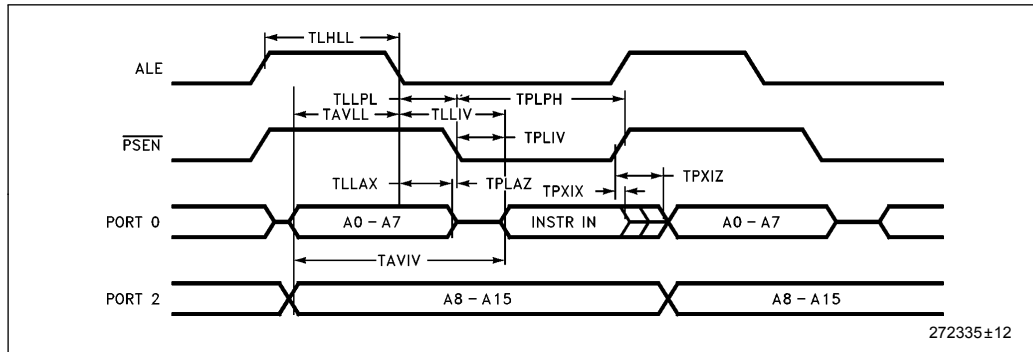


**EXTERNAL MEMORY CHARACTERISTICS**

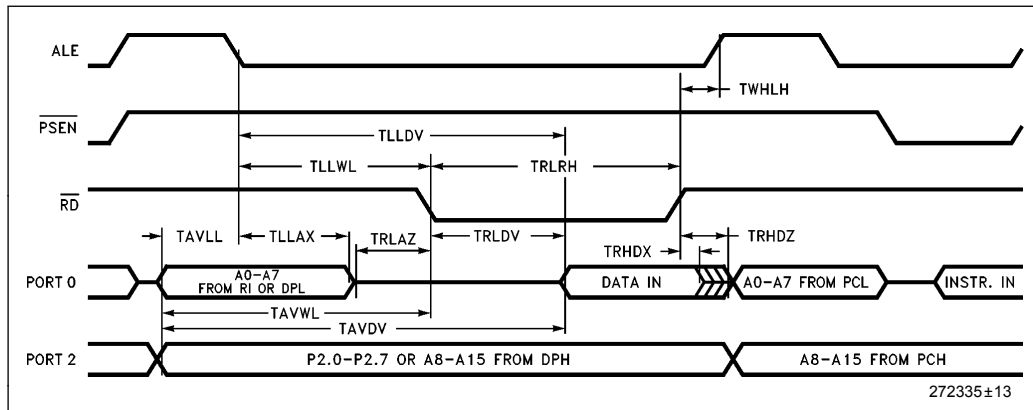
All parameter values apply to all devices unless otherwise indicated. In this table, 87C51/BH refers to 87C51/BH, 87C51-1/BH-1 and 87C51-2/BH-2. (Continued)

| Symbol | Parameter   | Oscillator |     |        |     |                             |                          | Units    |
|--------|---|------------|-----|--------|-----|-----------------------------|--------------------------|----------|
|        |   | 12 MHz     |     | 24 MHz |     | Variable                    |                          |          |
|        |   | Min        | Max | Min    | Max | Min                         | Max                      |          |
| TWHQX  | Data Hold After $\overline{WR}$<br>87C51/BH<br>87C51-24/BH-24                     | 33         |     | 7      |     | TCLCL - 50<br>TCLCL - 35    |                          | ns<br>ns |
| TQVWH  | Data Valid to $\overline{WR}$ High<br>87C51/BH<br>87C51-24/BH-24                  | 433        |     | 222    |     | 7TCLCL - 150<br>7TCLCL - 70 |                          | ns<br>ns |
| TRLAZ  | $\overline{RD}$ Low to Address Float  |            | 0   |        | 0   |                             | 0                        | ns       |
| TWHLH  | $\overline{RD}$ or $\overline{WR}$ High to ALE High<br>87C51/BH<br>87C51-24/BH-24 | 43         | 123 | 12     | 71  | TCLCL - 40<br>TCLCL - 30    | TCLCL + 40<br>TCLCL + 30 | ns<br>ns |

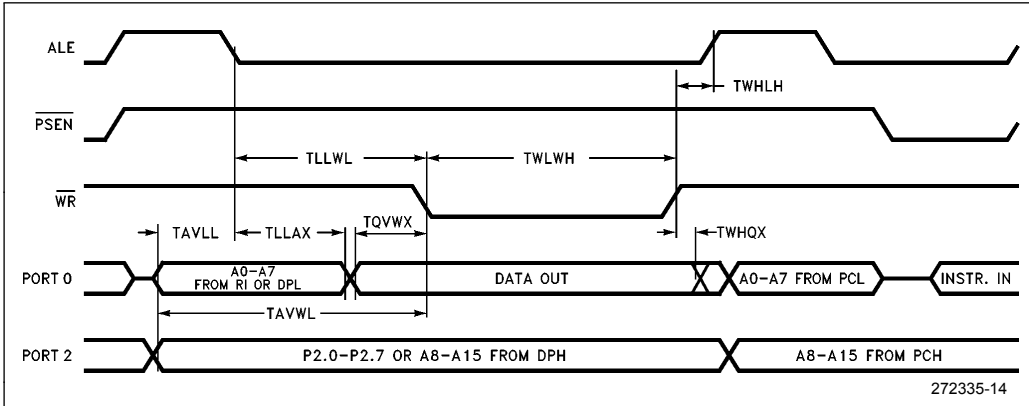
**EXTERNAL PROGRAM MEMORY READ CYCLE**



**EXTERNAL DATA MEMORY READ CYCLE**



**EXTERNAL DATA MEMORY WRITE CYCLE**

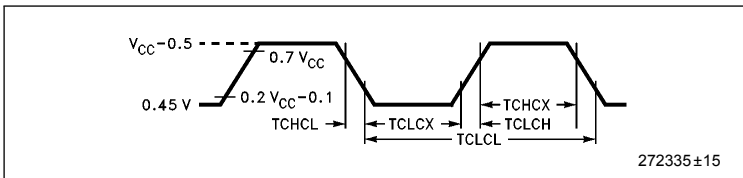


**EXTERNAL CLOCK DRIVE**

All parameter values apply to all devices unless otherwise indicated. In this table, 87C51/BH refers to 87C51/BH, 87C51-1/BH-1 and 87C51-2/BH-2.

| Symbol  | Parameter  | Min                      | Max                  | Units                    |
|---------|--|--------------------------|----------------------|--------------------------|
| 1/TCLCL | Oscillator Frequency<br>87C51/BH<br>87C51-1/BH-1<br>87C51-2/BH-2<br>87C51-24/BH-24 | 3.5<br>3.5<br>0.5<br>3.5 | 12<br>16<br>12<br>24 | MHz<br>MHz<br>MHz<br>MHz |
| TCHCX   | High Time<br>87C51/BH<br>8751-24/BH-24   | 20<br>0.35TCLCL          | 0.65TCLCL            | ns<br>ns                 |
| TCLCX   | Low Time<br>87C51/BH<br>87C51-24/BH-24   | 20<br>0.35TCLCL          | 0.65TCLCL            | ns<br>ns                 |
| TCLCH   | Rise Time<br>87C51/BH<br>87C51-24/BH-24  |                          | 20<br>10             | ns<br>ns                 |
| TCHCL   | Fall Time<br>87C51/BH<br>87C51-24/BH-24  |                          | 20<br>10             | ns<br>ns                 |

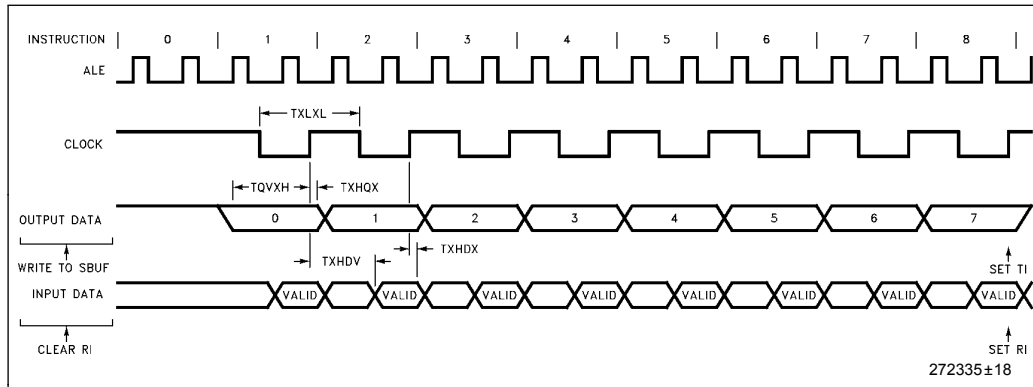
**EXTERNAL CLOCK DRIVE WAVEFORM**



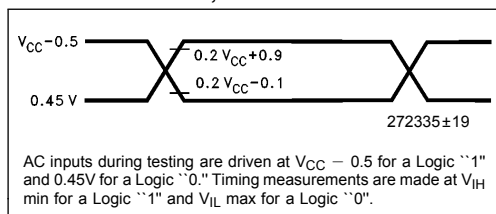
**SERIAL PORT TIMING-SHIFT REGISTER MODE**

| Symbol | Parameter  | 12 MHz Oscillator |     | 24 MHz Oscillator |     | Variable Oscillator         |               | Units   |
|--------|--|-------------------|-----|-------------------|-----|-----------------------------|---------------|---------|
|        |  | Min               | Max | Min               | Max | Min                         | Max           |         |
| TXLXL  | Serial Port Clock Cycle Time   | 1.0               |     | 0.500             |     | 12TCLCL                     |               | $\mu$ S |
| TQVXH  | Output Data Setup to Clock Rising Edge                                 | 700               |     | 284               |     | 10TCLCL - 133               |               | ns      |
| TXHQX  | Output Data Hold After Clock Rising Edge<br>87C51/BH<br>87C51-24/BH-24 | 50                |     | 34                |     | 2TCLCL - 117<br>2TCLCL - 34 |               | ns      |
| TXHDX  | Input Data Hold After Clock Rising Edge                                | 0                 |     | 0                 |     | 0                           |               | ns      |
| TXHDV  | Clock Rising Edge to Input Data Valid                                  |                   | 700 |                   | 283 |                             | 10TCLCL - 133 | ns      |

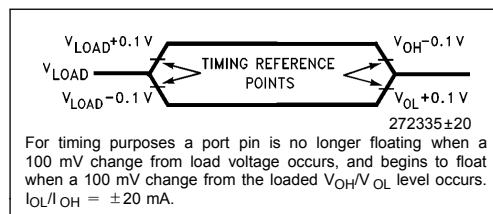
**SHIFT REGISTER MODE TIMING WAVEFORMS**



**AC TESTING INPUT, OUTPUT WAVEFORMS**



**FLOAT WAVEFORMS**





### PROGRAMMING THE 87C51

The part must be running with a 4 MHz to 6 MHz oscillator. The address of an EPROM location to be programmed is applied to address lines while the code byte to be programmed in that location is applied to data lines. Control and program signals must be held at the levels indicated in Table 4. Normally  $\overline{EA}/V_{PP}$  is held at logic high until just before ALE/PROG is to be pulsed. The  $\overline{EA}/V_{PP}$  is raised to  $V_{PP}$ , ALE/PROG is pulsed low and then  $\overline{EA}/V_{PP}$  is returned to a high (also refer to timing diagrams).

### DEFINITION OF TERMS

**ADDRESS LINES:** P1.0±P1.7, P2.0±P2.5, P3.4 respectively for A0±A14.

**DATA LINES:** P0.0±P0.7 for D0±D7.

**CONTROL SIGNALS:** RST,  $\overline{PSEN}$ , P2.6, P2.7, P3.3, P3.6, P3.7.

**PROGRAM SIGNALS:** ALE/PROG,  $\overline{EA}/V_{PP}$ .

**NOTE:**

- Exceeding the  $V_{PP}$  maximum for any amount of time could damage the device permanently. The  $V_{PP}$  source must be well regulated and free of glitches.

Table 4. EPROM Programming Modes

| Mode                                  | RST   | $\overline{PSEN}$ | ALE/PROG | $\overline{EA}/V_{PP}$ | P2.6 | P2.7 | P3.3 | P3.6 | P3.7 |
|---------------------------------------|-------|-------------------|----------|------------------------|------|------|------|------|------|
| Program Code Data                     | H     | L                 |          | 12.75V                 | L    | H    | H    | H    | H    |
| Verify Code Data                      | H     | L                 | H        | H                      | L    | L    | L    | H    | H    |
| Program Encryption Array Address 0±3F | H     | L                 |          | 12.75V                 | L    | H    | H    | L    | H    |
| Program Lock Bits                     | Bit 1 | H                 |          | 12.75V                 | H    | H    | H    | H    | H    |
|                                       | Bit 2 | H                 |          | 12.75V                 | H    | H    | H    | L    | L    |
|                                       | Bit 3 | H                 |          | 12.75V                 | H    | L    | H    | H    | L    |
| Read Signature Byte                   | H     | L                 | H        | H                      | L    | L    | L    | L    | L    |

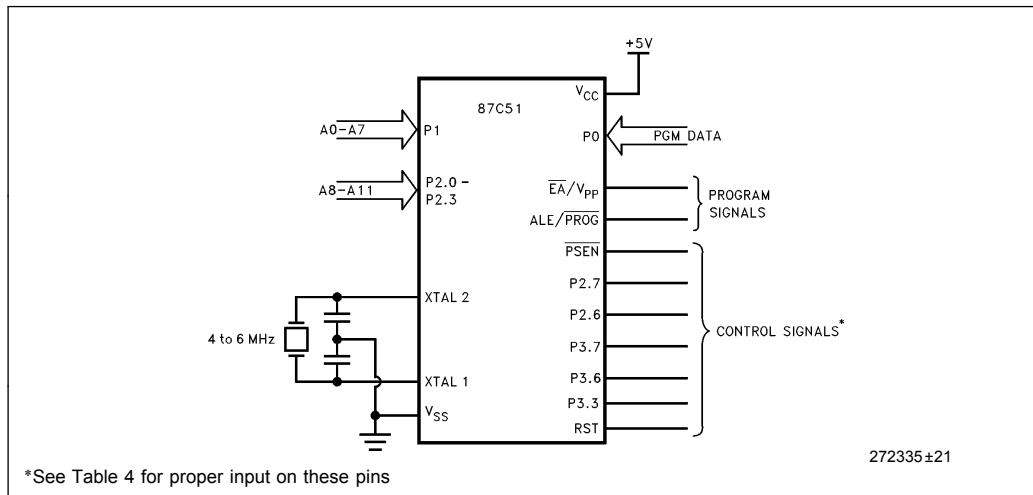


Figure 10. Programming the EPROM

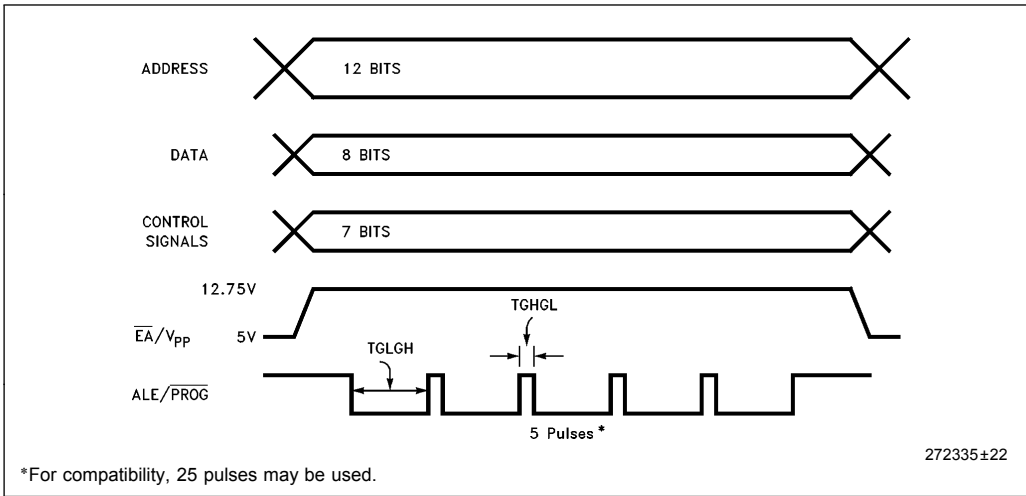


Figure 11. Programming Waveforms

## PROGRAMMING ALGORITHM

Refer to Table 4 and Figures 10 and 11 for address, data, and control signals set up. To program the 87C51 the following sequence must be exercised.

1. Input the valid address on the address lines.
2. Input the appropriate data byte on the data lines.
3. Activate the correct combination of control signals.
4. Raise  $\overline{EA}/V_{PP}$  from  $V_{CC}$  to  $12.75V \pm 0.25V$ .
5. Pulse  $ALE/\overline{PROG}$  5 times\* for the EPROM array, and 25 times for the encryption table and the lock bits.

Repeat 1 through 5 changing the address and data for the entire array or until the end of the object file is reached.

## Program Verify

Verification may be done after programming either one byte or a block of bytes. In either case a complete verify of the array will ensure reliable programming of the 87C51.

The lock bits cannot be directly verified. Verification of the lock bits is done by observing that their features are enabled.

## ROM and EPROM Lock System

The program lock system, when programmed, protects the onboard program against software piracy.

The 80C51BH has a one level program lock system and a 64-byte encryption table. If program protection is desired, the user submits the encryption table with their code and both the lock bit and encryption array are programmed by the factory. The encryption array is not available without the lock bit. For the lock bit to be programmed, the user must submit an encryption table. The 87C51 has a 3-level program lock system and a 64-byte encryption array. Since this is an EPROM device, all locations are user-programmable. See Table 5.

## Encryption Array

Within the EPROM array are 64 bytes of Encryption Array that are initially unprogrammed (all 1's). Every time that a byte is addressed during a verify, 6 address lines are used to select a byte of the Encryption Array. This byte is then exclusive-NOR'ed (XNOR) with the code byte, creating an Encryption Verify byte. The algorithm, with the array in the unprogrammed state (all 1's), will return the code in its original, unmodified form. For programming the Encryption Array, refer to Table 4 (Programming the EPROM).

When using the encryption array, one important factor needs to be considered. If a code byte has the value 0FFH, verifying the byte will produce the encryption byte value. If a large block (> 64 bytes) of code is left unprogrammed, a verification routine will display the contents of the encryption array. For this reason all unused code bytes should be programmed with some value other than 0FFH, and not all of them the same value. This will ensure maximum program protection.

### Program Lock Bits

The 87C51 has 3 programmable lock bits that when programmed according to Table 5 will provide different levels of protection for the on-chip code and data.

Erasing the EPROM also erases the encryption array and the program lock bits, returning the part to full functionality.

### Reading the Signature Bytes

The 87C51 and 80C51BH have 3 signature bytes in locations 30H, 31H, and 60H. To read these bytes follow the procedure for EPROM verify, but activate the control lines provided in Table 4 for Read Signature Byte.

| Location | Device  | Contents |
|----------|---------|----------|
| 30H      | All     | 89H      |
| 31H      | All     | 58H      |
| 60H      | 87C51   | 51H      |
|          | 80C51BH | 11H      |

### Erasure Characteristics (Windowed Devices Only)

Erasure of the EPROM begins to occur when the chip is exposed to light with wavelengths shorter than approximately 4,000 Angstroms. Since sunlight and fluorescent lighting have wavelengths in this range, exposure to these light sources over an extended time (about 1 week in sunlight, or 3 years in room level fluorescent lighting) could cause inadvertent erasure. If an application subjects the device to this type of exposure, it is suggested that an opaque label be placed over the window.

The recommended erasure procedure is exposure to ultraviolet light (at 2537 Angstroms) to an integrated dose of at least 15 W-sec/cm<sup>2</sup>. Exposing the EPROM to an ultraviolet lamp of 12,000 μW/cm<sup>2</sup> rating for 30 minutes, at a distance of about 1 inch, should be sufficient.

Erasure leaves the array in an all 1's state.

**Table 5. Program Lock Bits and the Features**

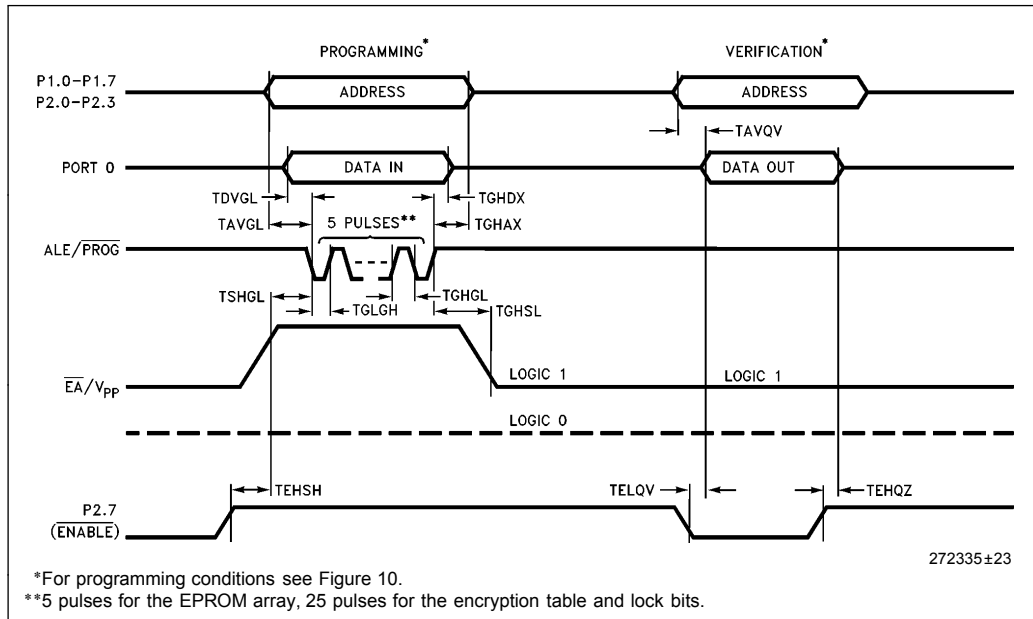
| Program Lock Bits |     |     |     | Protection Type   |
|-------------------|-----|-----|-----|---|
|                   | LB1 | LB2 | LB3 |   |
| 1                 | U   | U   | U   | No program lock features enabled. (Code verify will still be encrypted by the encryption array if programmed.)  |
| 2                 | P   | U   | U   | MOVC instructions executed from external program memory are disabled from fetching code bytes from internal memory, EA is sampled and latched on reset, and further programming of the EPROM is disabled. |
| 3                 | P   | P   | U   | Same as 2, also verify is disabled.   |
| 4                 | P   | P   | P   | Same as 3, also external execution is disabled.   |

**EPROM PROGRAMMING, EPROM AND ROM VERIFICATION CHARACTERISTICS:**

( $T_A = 21^\circ\text{C}$  to  $27^\circ\text{C}$ ,  $V_{CC} = 5V \pm 10\%$ ,  $V_{SS} = 0V$ )

| Symbol    | Parameter                                       | Min     | Max     | Units         |
|-----------|---|---------|---------|---------------|
| $V_{PP}$  | Programming Supply Voltage                      | 12.5    | 13.0    | V             |
| $I_{PP}$  | Programming Supply Current                      |         | 75      | mA            |
| $1/TCLCL$ | Oscillator Frequency                            | 4       | 6       | MHz           |
| TAVGL     | Address Setup to $\overline{PROG}$ Low          | 48TCLCL |         |               |
| TGHAX     | Address Hold After $\overline{PROG}$            | 48TCLCL |         |               |
| TDVGL     | Data Setup to $\overline{PROG}$ Low             | 48TCLCL |         |               |
| TGHDX     | Data Hold After $\overline{PROG}$               | 48TCLCL |         |               |
| TEHSH     | P2.7 (ENABLE) High to $V_{PP}$                  | 48TCLCL |         |               |
| TSHGL     | $V_{PP}$ Setup to $\overline{PROG}$ Low         | 10      |         | $\mu\text{s}$ |
| TGHSL     | $V_{PP}$ Hold After $\overline{PROG}$           | 10      |         | $\mu\text{s}$ |
| TGLGH     | $\overline{PROG}$ Width                         | 90      | 110     | $\mu\text{s}$ |
| TAVQV     | Address to Data Valid                           |         | 48TCLCL |               |
| TELQV     | ENABLE Low to Data Valid                        |         | 48TCLCL |               |
| TEHQZ     | Data Float After $\overline{ENABLE}$            | 0       | 48TCLCL |               |
| TGHGL     | $\overline{PROG}$ High to $\overline{PROG}$ Low | 10      |         | $\mu\text{s}$ |

**EPROM PROGRAMMING, EPROM AND ROM VERIFICATION WAVEFORMS**





### Thermal Impedance

All thermal impedance data is approximate for static air conditions at 1W of power dissipation. Values will change depending on operating conditions and applications. See the Intel Packaging Handbook (Order No. 240800) for a description of Intel's thermal impedance test methodology.

| Device | $\theta_{JA}$ | $\theta_{JC}$ |
|--------|---------------|---------------|
| 87C51  | 45°C/W        | 16°C/W        |
| BH     | 75°C/W        | 23°C/W        |
| 87C51  | 45°C/W        | 15°C/W        |
| BH     | 36°C/W        | 13°C/W        |
| All    | 46°C/W        | 16°C/W        |
| All    | 98°C/W        | 24°C/W        |

### DATA SHEET REVISION HISTORY

Data sheets are changed as new device information becomes available. Verify with your local Intel sales office that you have the latest version before finalizing a design or ordering devices.

The following differences exist between this data-sheet (272335-004) and the previous version (272335-003):

1. Product prefix variables are now indicated with an x.

The following differences exist between this data-sheet (272335-003) and the previous version (272335-002):

1. Removed - 20 and - 3 spec, replaced with - 24 spec.
2. Added - 24 spec.
3. 80C51BHP is replaced by 80C51BH with 64-byte encryption table submitted and lock bit 1 set.
4. 80C51BH/80C31BH are now having some additional features as 87C51.
5. Revised PRST value and I<sub>CC</sub> idle values.
6. Added P3.3 control pin to programming and verification.
7. Added 80C51BH signature byte.

The following differences exist between the ``-002" and the ``-001" version of the 87C51/80C51BH/80C31BH datasheet.

1. Removed - L, I<sub>OL</sub> = ± 10 mA from Float Waveforms figure.
2. Removed QP, QD and QN (commercial with extended burn-in) from Table 3. Prefix Identification.

This data sheet (272335-001) replaces the following:

|                         |            |
|-------------------------|------------|
| 80C51BH/80C31BH Express | 270218-003 |
| 80C51BHP                | 270603-004 |
| 87C51/80C51BH/80C31BH   | 270147-008 |
| 87C51 Express           | 270430-002 |
| 87C51-20/-3             | 272082-002 |