

SAFETY ORGANIZATION(S):

UL RECOGNIZED

THIS FILTER HAS BEEN FORMALLY RECOGNIZED, CERTIFIED OR APPROVED BY THE LISTED AGENCY. THEREFORE, ALL TEST/REQUIREMENTS SPECIFIED IN THE LATEST REVISION OF THE FOLLOWING AGENCY STANDARDS HAVE BEEN MET:

UL 1283

OPERATING SPECIFICATIONS:
LINE VOLTAGE/CURRENT:

6.0 AMP., 120/250 VAC

50-60Hz
 40°C

0.5mA at 120V 60 Hz
 .83 mA at 250V 50 Hz
 -10°C TO +40°C @ RATED CURRENT, I_r

IN AN AMBIENT, T_a, HIGHER THAN 40°C, THE MAXIMUM OPERATING CURRENT, I_o, IS AS FOLLOWS:

$$I_o = I_r \sqrt{\frac{85 - T_a}{45}}$$

RELIABILITY SPECIFICATIONS:

STORAGE TEMPERATURE:
 -40°C TO +85°C
HUMIDITY:
 21 DAYS @ 40°C 95% RH
CURRENT OVERLOAD TEST:
 6 TIMES RATED CURRENT FOR 8 SECONDS

TEST SPECIFICATIONS:

INDUCTANCE:
 1.83 mH NOMINAL
CAPACITANCE: (MEASURED @ 1 KHz, 0.25 VAC MAX., 25°C ±1°C)
 .011µF ±20%
 .543µF ±20%
 10 MΩ
DISCHARGE RESISTOR:
 5000 MΩ (MIN) AT 100 VDC
LINE/GROUND AND LINE/LINE INSULATION RESISTANCE (W/O DISCHARGE RESISTOR)
 20°C AND 50% RH

RECOMMENDED RECEIVING INSPECTION HIPOUT:

LINES TO GROUND: 2250 VDC FOR 1 MINUTE
LINE TO LINE: 1450 VDC FOR 1 MINUTE

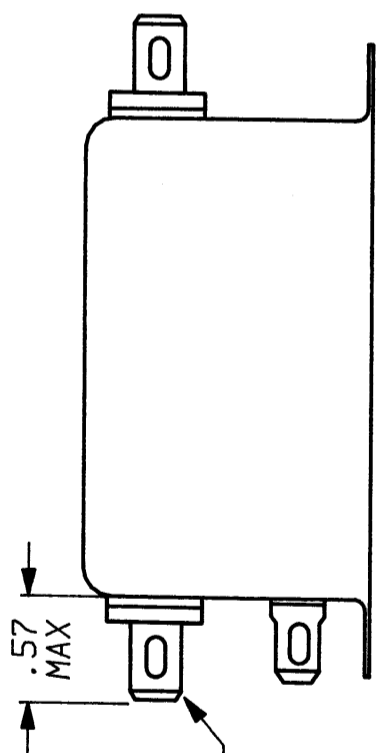
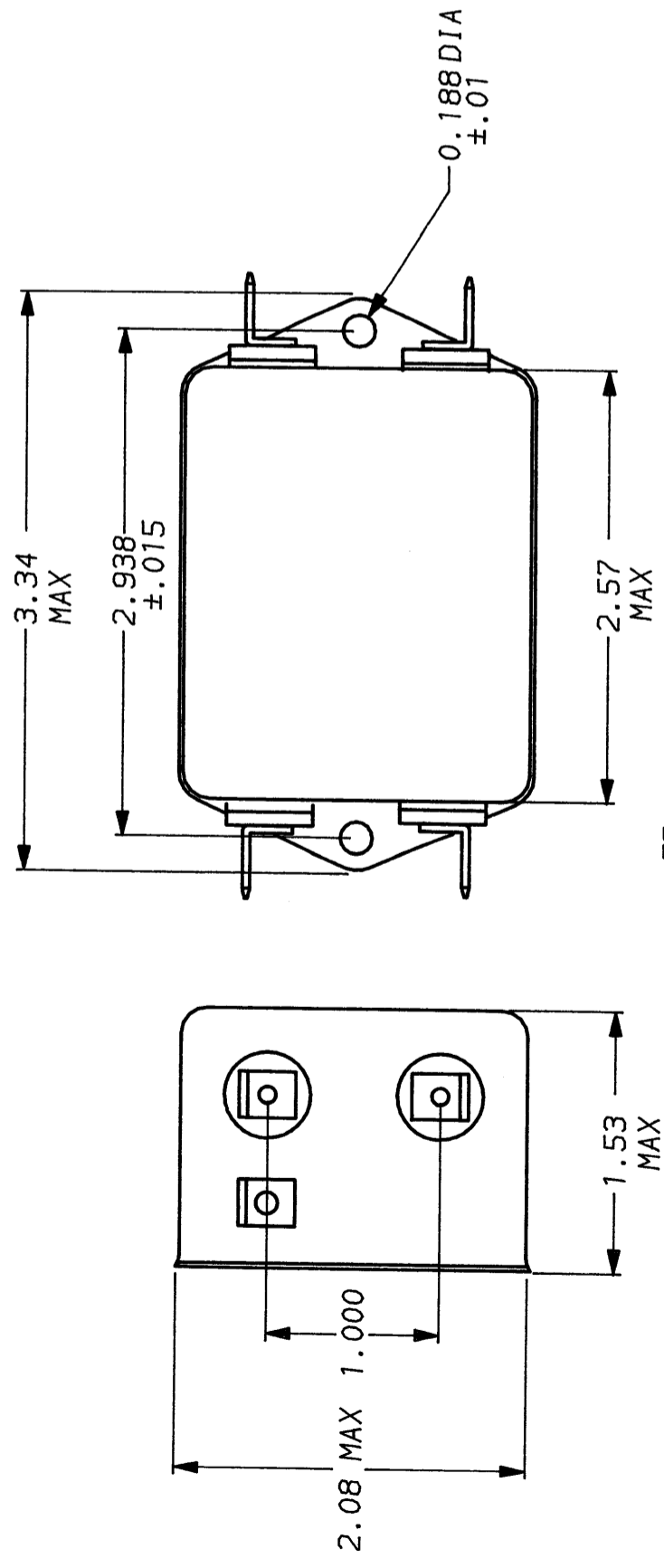
FILTER APPROVAL:

THE BEST WAY TO SELECT AND QUALIFY A FILTER IS FOR YOUR ENGINEERING TO TEST THE UNIT IN YOUR EQUIPMENT.

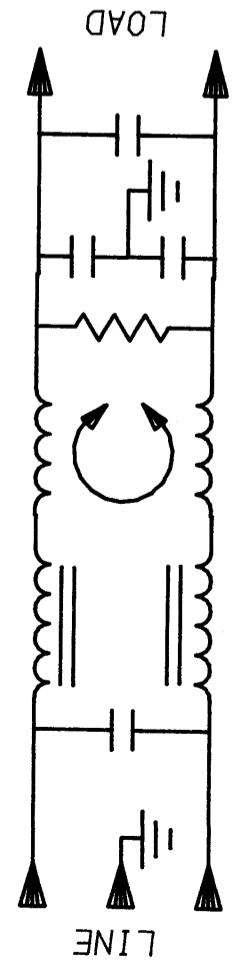
50Ω - 50Ω (MINIMUM) INSERTION LOSS

FREQUENCY MHZ	.15	.5	1	5	10	30
COMMON dB	18	33	41	37	49	53
DIFF. dB	40	65	65	65	53	50

This document is proprietary to CORCOM INC. and is not to be reproduced nor used for manufacturing purposes except on CORCOM's order or prior written consent.



.250 FASTON .07 X .156 SLOT (5)



TOLERANCE EXCEPT AS NOTED

DECIMAL: .XXX .XX .X ANGLES ± 1°
 ENGLISH: ±.025
 METRIC: ±

MATERIAL:

AS SUPPLIED

FINISH:

AS SUPPLIED

CORCOM
 LIBERTYVILLE, IL 60048

POWER LINE FILTER

SCALE	DATE	DRG. NO.	REV.
NTS	7-31-90		651.05
DRW. BY	ORIGINATOR		
CFW	CFW		