

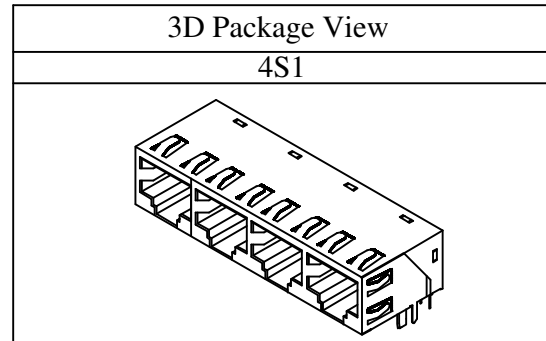


RJ45 Integrated Connector

10/100 Base-TX, Four Port, Through Hole

Features:

1. Meets IEEE 802.3 and ANSI X3.263
2. Operating Temperature: 0°C to +85°C
3. 1500Vrms Isolation
4. Enhanced Common Mode Attenuation for maximum EMI Suppression
5. Full Product Qualification Tests



Product Selection											
#	P/N	Row X Port	Pack age Style	Schematic Identification							
				Auto Xfmr	Input Pins -out		Output Pins -out		RTN	Turn Ratio	SCH #
1	TIC-L016-14	1x4	4S1	X	7,6,8	1,3,2	3,7,8,6	1,4,5,2	Shd	1ct:1ct	3
2	TIC-L005-14	1x4	4S1		1,2,3	4,5,6	1,4,5,2	3,7,8,6	Shd	1ct:1ct	2
3	TIC-L017-14	1x4	4S1		1,2,3	7,6,8	1,4,5,2	3,7,8,6	Shd	1ct:1ct	11
4	TIC-L018-14	1x4	4S1		7,6,8	1,2	3,7,8,6	1,4,5,2	Shd	1ct:1ct	12

Package Identification				
Package #	Package Style	Size LWH		Package Identification
		inches	mm	
4S1	Four Port	2.279 x 0.850 x 0.530	57.88 x 21.60 x 13.45	6 Spring taps, 2 Pin-Rows Plastic Mounting tap - Shield Mounting GND tap

Electrical Specification @ 25 °C								
Insertion Loss (dB Max)	Return Loss (dB Min)			CMRR (dB Min)	Crosstalk (dB Min)	OCL (m H Min)	Hipot (Vrms)	Impedance (Ω)
1-100 MHz 1	1-30 MHz -18	60 MHz -16	80 MHz -12	1-100 MHz -35	1-100 MHz -35	8mA Dc Bias 350	1 minute 1500	100

Package Information			
Weight		Quantity	
weight / pcs (g)	weight / carton (kg)	quantity / tray (pcs)	quantity / carton (pcs)
18.3	3.5	25	100

Product Qualification Tests	
Test #	Test Description
1	Product Performance : Complete Electrical Test, Mechanical Measurements and Visual Inspection
2	Low Level Contact Resistance
3	Dielectric Strength
4	Insulation Resistance
5	Vibration
6	Mechanical Shock
7	Durability (Repeated mating / unmating)
8	Solderability
9	Thermal Shock
10	Humidity Temperature Cycling

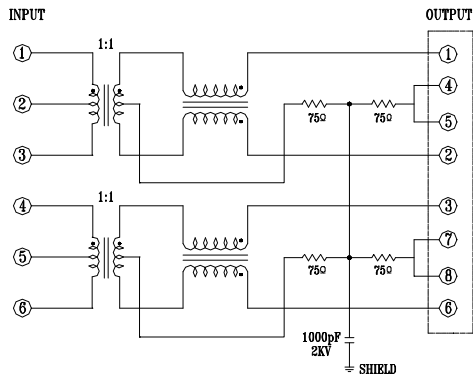


RJ45 Integrated Connector

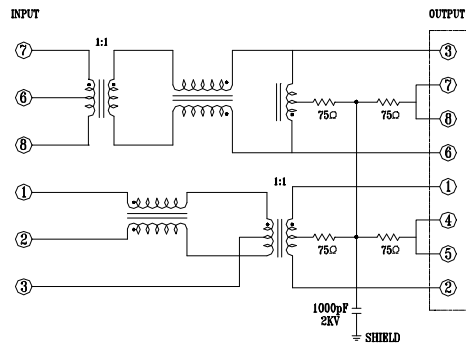
10/100 Base-TX, Four Port, Through Hole

Mechanical Material Specification									
Contact Material	Contact						Housing & Insert	Shell	
	Contact Finish							Front	Back
	Upper Contact			Lower Contact					
	Contact Area	Solder Tail Area	Underplating	Contact Area	Solder Tail Area	Underplating			
Phosphor Bronze	Gold	Tin/Lead (9:1)	Nickel	Gold	Tin/Lead (9:1)	Nickel	Thermoplastic Nylon 6T, Black	Stainless SUS 304	Stainless SUS 304
0.35 mm thick	30 μ" Min.	100 μ" Min.	50 μ" Min.	100 μ" Min.	100 μ" Min.	50 μ" Min.	UL 94V-0	0.25 mm thick	0.20 mm thick

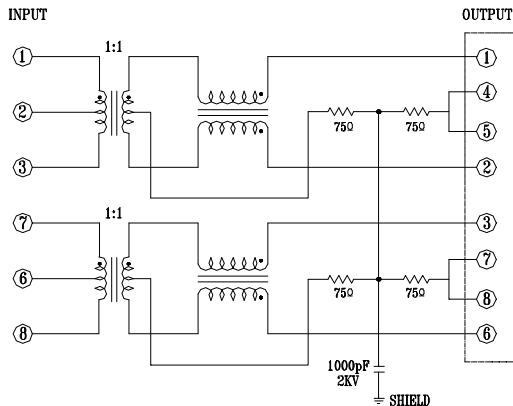
SCHEMATIC 2



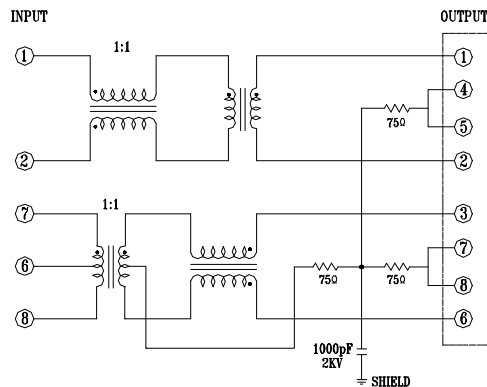
SCHEMATIC 3



SCHEMATIC 11



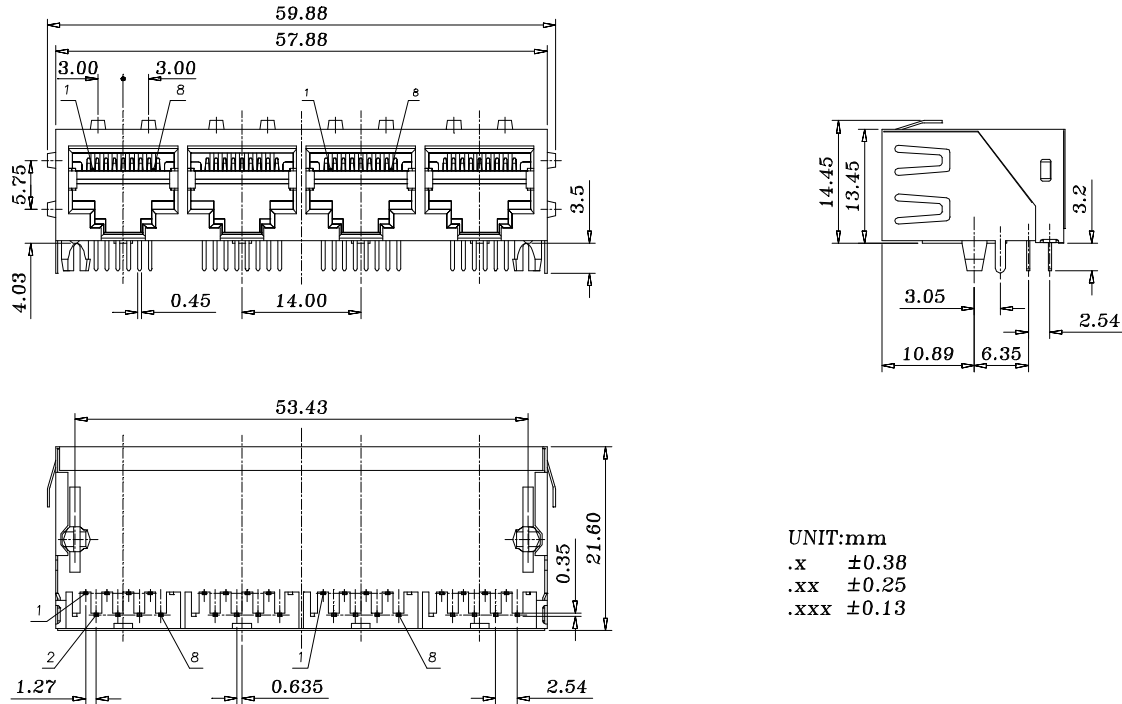
SCHEMATIC 12



RJ45 Integrated Connector

10/100 Base-TX, Four Port, Through Hole

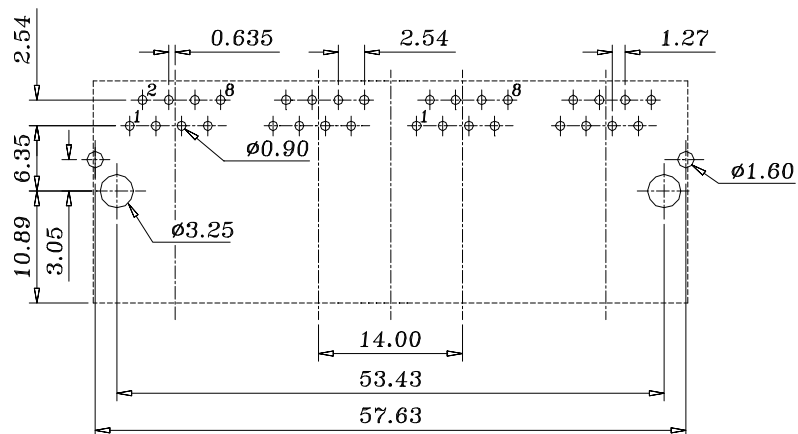
PACKAGE 4S1



UNIT:mm
 .x ±0.38
 .xx ±0.25
 .xxx ±0.13

*** MATERIALS ***

1. HOUSING: NYLON 6T, UL 94V-0
2. CONTACT: PHOSPHOR BRONZE
3. SHIELD: STAINLESS



RECOMMENDED P.C.B. LAYOUT
 (COMPONENTS SIDE)