

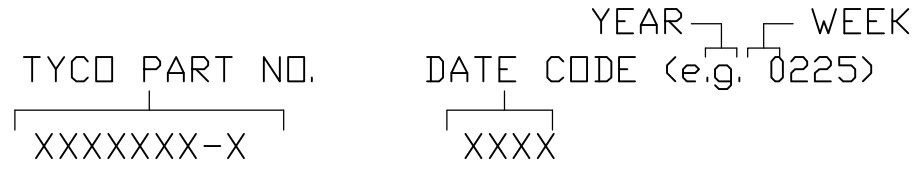
THIS DRAWING IS UNPUBLISHED. RELEASED FOR PUBLICATION
 © COPYRIGHT - BY TYCO ELECTRONICS CORPORATION. ALL RIGHTS RESERVED.

LOC	DIST	REVISIONS					
GP	00	P	LTR	DESCRIPTION	DATE	DWN	APVD
			A	RELEASED	16MAY06	RG	SF

5 RECOMMENDED MOUNTING HARDWARE TO BE ORDERED SEPARATELY FOR REFERENCE ONLY:
 FOR PANEL MOUNTING USE:
 1650402-1, 8-32 SHOULDER SCREW
 1650589-1, M4 X 0.7 SHOULDER SCREW

4. ELCON SERIES 426-0001-01100

3 ITEMS PROVIDED TO THIS SPECIFICATION TO BE PERMANENTLY IDENTIFIED PER THE FOLLOWING IDENTIFIER:



2. MATERIALS:
 HOUSINGS: THERMOPLASTIC, GLASS REINFORCED, UL94V-0 FLAMMABILITY RATED, COLOR-BLACK.
 RETENTION CLIPS: BERYLLIUM COPPER OR STAINLESS STEEL.

1. PART NUMBER CHANGES AND OR DESIGN CHANGES AFFECTING ITEM INTERCHANGEABILITY REQUIRE PRIOR TYCO APPROVAL AND AUTHORIZATION BY REVISION TO THIS DRAWING.

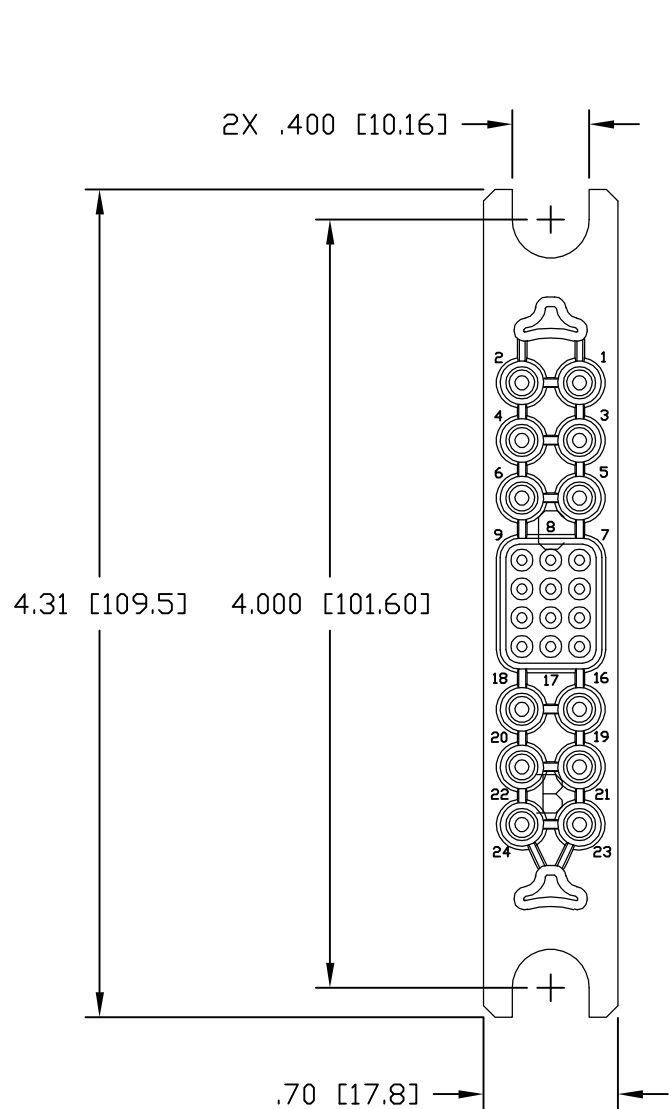
AS SHOWN	1651203-1
DESCRIPTION	PART NUMBER

THIS DRAWING IS A CONTROLLED DOCUMENT.		DWN R.GRZYBOWSKI 16MAY2006	Tyco Electronics Corporation Harrisburg, PA 17105-3608	
DIMENSIONS: INCHES		CHK S.FLICKINGER 16MAY06		
		APVD S.FLICKINGER 16MAY06	NAME P12S12 MINI DRAWER, STRAIGHT SOCKET WITH RETENTION CLIPS	
TOLERANCES UNLESS OTHERWISE SPECIFIED:		PRODUCT SPEC -	APPLICATION SPEC -	
0 PLC ± - 1 PLC ± - 2 PLC ± .02 3 PLC ± .010 4 PLC ± - ANGLES ± .5		WEIGHT -	SIZE A3	CAGE CODE 00779
MATERIAL -	FINISH -	DRAWING NO C-1651203		RESTRICTED TO -
CUSTOMER DRAWING			SCALE 1:1	SHEET 1 OF 3
			REV A	

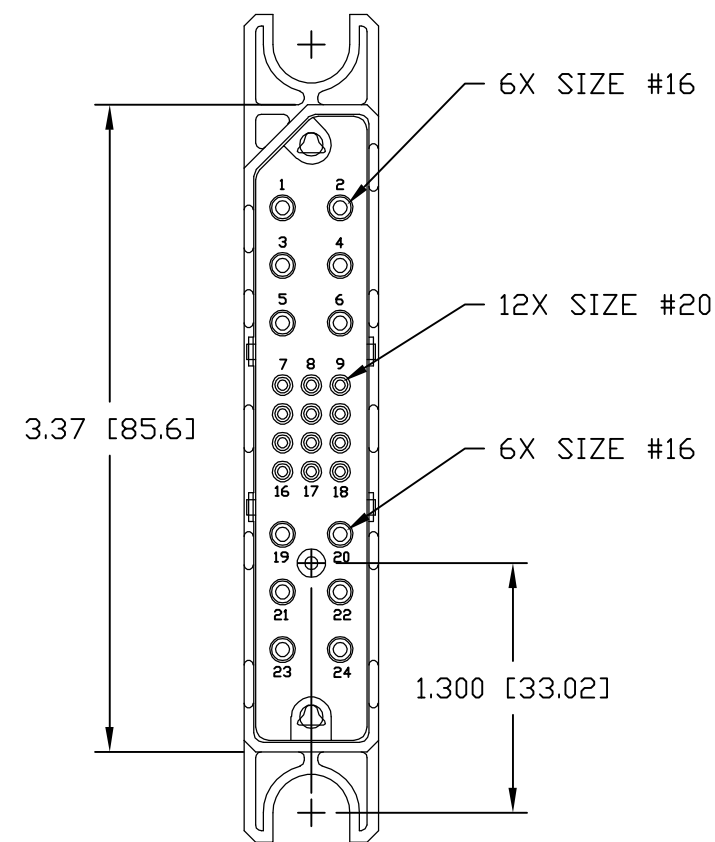
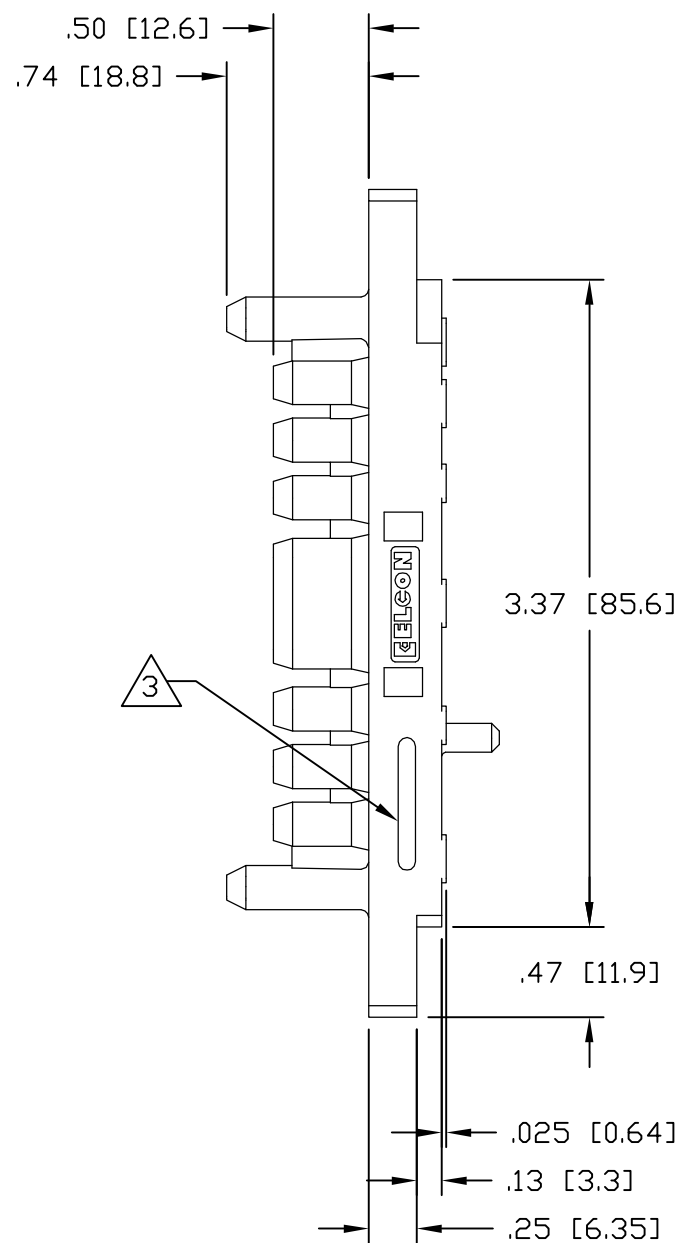
ELCON P12S12 MINI DRAWER

THIS DRAWING IS UNPUBLISHED. RELEASED FOR PUBLICATION
 © COPYRIGHT BY TYCO ELECTRONICS CORPORATION. ALL RIGHTS RESERVED.

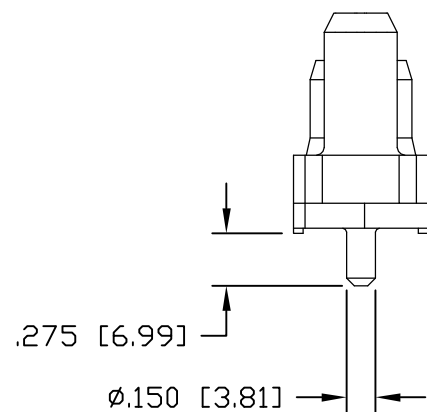
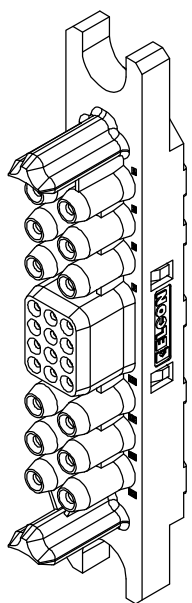
LOC	DIST	REVISIONS			
P	LTR	DESCRIPTION	DATE	DWN	APVD
GP	00	SEE SHEET 1	-	-	-



FRONT VIEW



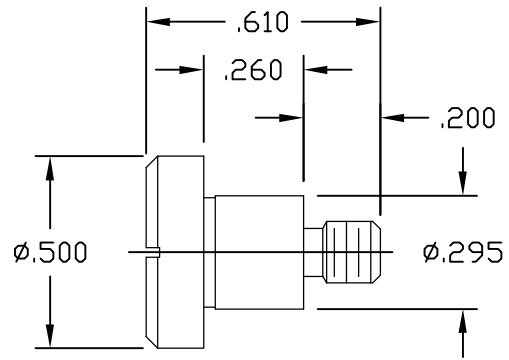
REAR VIEW



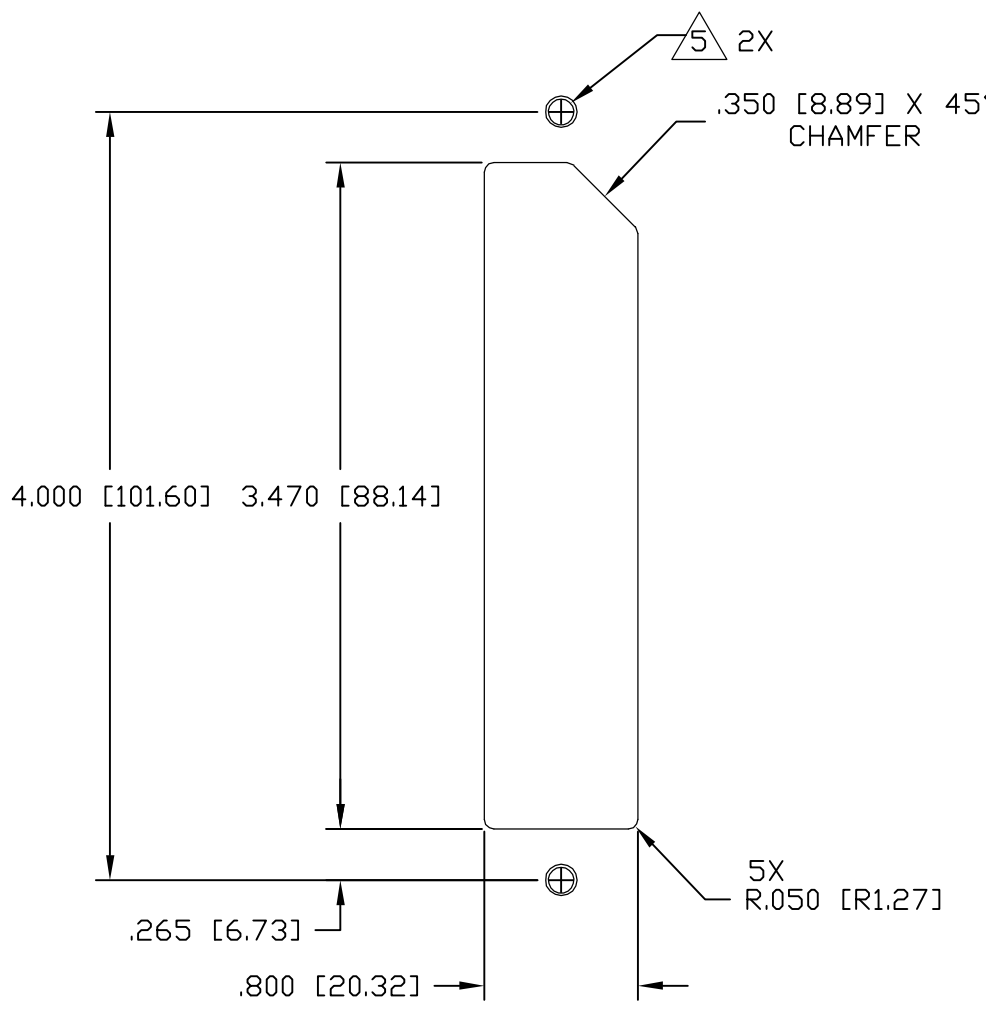
THIS DRAWING IS A CONTROLLED DOCUMENT.		DWN R.GRZYBOWSKI 16MAY2006	Tyco Electronics Corporation Harrisburg, PA 17105-3608	
DIMENSIONS: INCHES		CHK S.FLICKINGER 16MAY06	NAME	
TOLERANCES UNLESS OTHERWISE SPECIFIED:		APVD S.FLICKINGER 16MAY06	P12S12 MINI DRAWER, STRAIGHT SOCKET WITH RETENTION CLIPS	
0 PLC ± - 1 PLC ± - 2 PLC ± .02 3 PLC ± .010 4 PLC ± - ANGLES ± .5		PRODUCT SPEC -	SIZE A3	CAGE CODE 00779
MATERIAL -		APPLICATION SPEC -	DRAWING NO C-1651203	RESTRICTED TO -
FINISH -		WEIGHT -	SCALE 1:1	SHEET 2 OF 3
CUSTOMER DRAWING			REV A	

THIS DRAWING IS UNPUBLISHED. RELEASED FOR PUBLICATION
 © COPYRIGHT BY TYCO ELECTRONICS CORPORATION. ALL RIGHTS RESERVED.

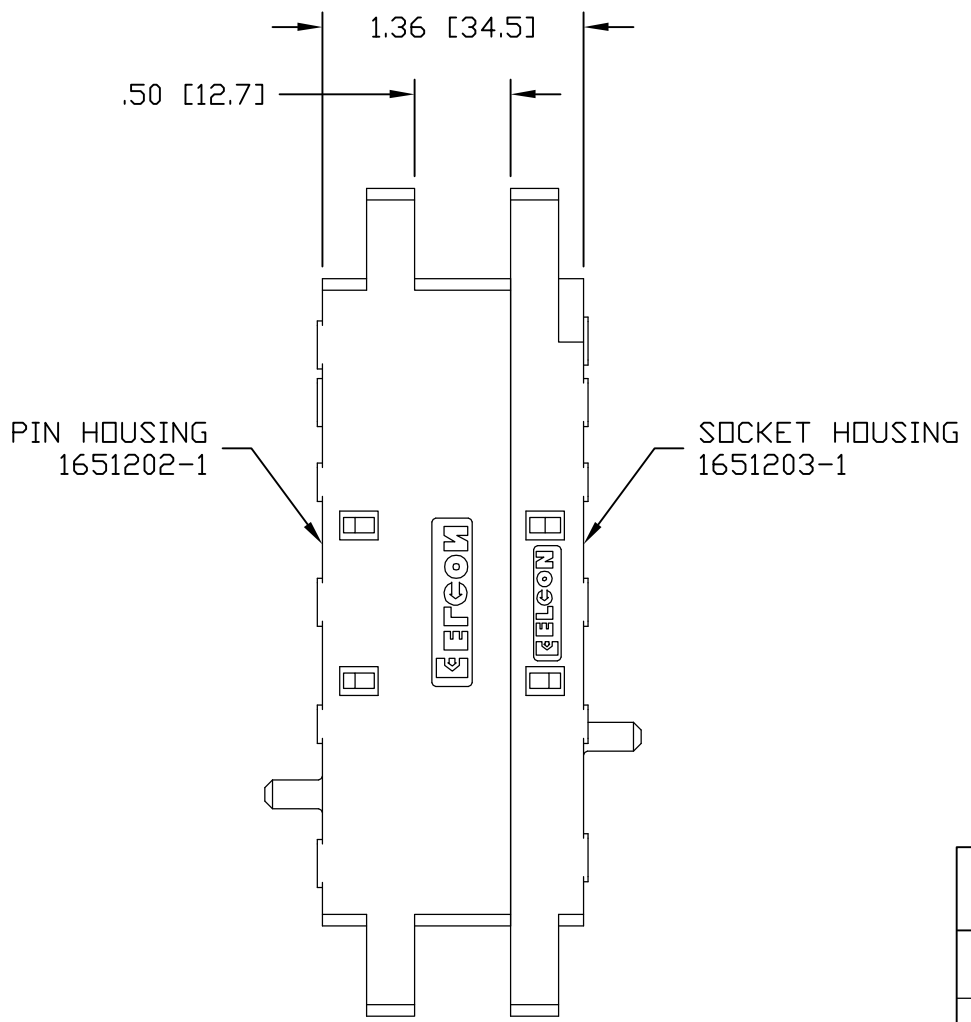
LOC	DIST	REVISIONS			
P	LTR	DESCRIPTION	DATE	DWN	APVD
GP	00	SEE SHEET 1	-	-	-



SHOULDER SCREW
 (REFERENCE ONLY)
 SCALE: 2:1



SUGGESTED PANEL CUTOUT
 VIEWED FROM CONNECTOR MOUNTING SIDE



MATED CONDITION

THIS DRAWING IS A CONTROLLED DOCUMENT.		DWN R.GRZYBOWSKI 16MAY2006	Tyco Electronics Corporation Harrisburg, PA 17105-3608	
DIMENSIONS: INCHES		CHK S.FLICKINGER 16MAY06	NAME P12S12 MINI DRAWER, STRAIGHT SOCKET WITH RETENTION CLIPS	
		APVD S.FLICKINGER 16MAY06	PRODUCT SPEC -	
TOLERANCES UNLESS OTHERWISE SPECIFIED:		APPLICATION SPEC -		
0 PLC ± - 1 PLC ± - 2 PLC ± .02 3 PLC ± .010 4 PLC ± - ANGLES ± .5		SIZE A3	CAGE CODE 00779	DRAWING NO C-1651203
MATERIAL -		WEIGHT -		RESTRICTED TO -
CUSTOMER DRAWING			SCALE 1:1	SHEET 3 OF 3
			REV A	