

TPS40304EVM-353

The TPS40304EVM-353 evaluation module (EVM) is a synchronous buck converter providing a fixed 1.2-V output at up to 20A from a 12-V input bus. The EVM is designed to start-up from a single supply; so, no additional bias voltage is required for start-up. The module uses the TPS40304 high performance, mid-input voltage synchronous buck controller and TI's NexFET™ high performance MOSFETs.

Contents

1	Description	2
1.1	Applications	2
1.2	Features	2
2	TPS40304EVM-353 Electrical Performance Specifications	2
3	TPS40304EVM-353 Schematic	4
4	Connector and Test Point Descriptions	5
4.1	Enable Jumper (JP2)	5
4.2	Frequency Spread Spectrum – FSS Jumper (JP1)	5
4.3	Test Point Descriptions	5
5	Test Set Up	6
5.1	Equipment	6
5.2	Equipment Setup	7
5.3	Start Up/Shut Down Procedure	9
5.4	Output Ripple Voltage Measurement Procedure	9
5.5	Control Loop Gain and Phase Measurement Procedure	9
5.6	Equipment Shutdown	10
6	6 TPS40304EVM-353 Test Data	10
6.1	Efficiency	10
6.2	Line and Load Regulation	11
6.3	Output Voltage Ripple	11
6.4	Switch Node	12
6.5	Control Loop Bode Diagram	12
6.6	Additional Waveforms	13
7	TPS40304EVM-353 Assembly Drawings and Layout	13
8	TPS40304EVM-353 Bill of Materials	17

List of Figures

1	TPS40304EVM-353 Schematic	4
2	TPS40304EVM-353 Recommended Test Set-Up	8
3	Output Ripple Measurement – Tip and Barrel using TP3 and TP4	8
4	Control Loop Measurement Setup	9
5	TPS40304EVM-353 Efficiency verse Load Current.....	10
6	TPS40304EVM-353 Output Voltage verse Load Current	11
7	TPS40304EVM-353 Output Voltage Ripple.....	11
8	TPS40304EVM-353 Switching Waveforms	12
9	TPS40304EVM-353 Gain and Phase vs Frequency.....	12
10	TPS40304EVM-353 Output Ripple with FSS Enabled	13
11	TPS40304EVM-353 Component Placement (Top view)	14

NexFET is a trademark of Texas Instruments.

12	TPS40304EVM-353 Silk Screen (Top view)	14
13	TPS40304EVM-353 Top Copper (Top view)	15
14	TPS40304EVM-353 Bottom Copper (Top view)	15
15	TPS40304EVM-353 Internal 1 (X-Ray Top view)	16
16	TPS40304EVM-353 Internal 2 (X-Ray Top view)	16

List of Tables

1	TPS40304EVM-353 Electrical and Performance Specifications.....	2
2	Test Point Descriptions.....	5
3	TPS40304EVM-353 Bill of Materials.....	17

1 Description

The TPS40304EVM-353 is designed to use a regulated 12V (8V – 14V) bus voltage to provide a regulated 1.2-V output at up to 20A of load current. The TPS40304EVM-353 is designed to demonstrate the TPS40304 controller and TI NexFETs in a typical 12-V bus to low-voltage application while providing a number of non-invasive test points to evaluate the performance of the TPS40304 and TI NexFETs in a given application.

1.1 Applications

- High-current, low-voltage FPGA or microcontroller core supplies
- High-current point of load modules
- Telecommunications equipment
- Computer peripherals

1.2 Features

- 8-V to 14-V input voltage rating
- 1.2-V \pm 2% output voltage rating
- 20-A steady state load current
- 600-kHz switching frequency
- Simple access to IC features including Power Good, Enable, Soft-Start, and Error Amplifier
- Convenient test points for simple, non-invasive measurements of converter performance

2 TPS40304EVM-353 Electrical Performance Specifications

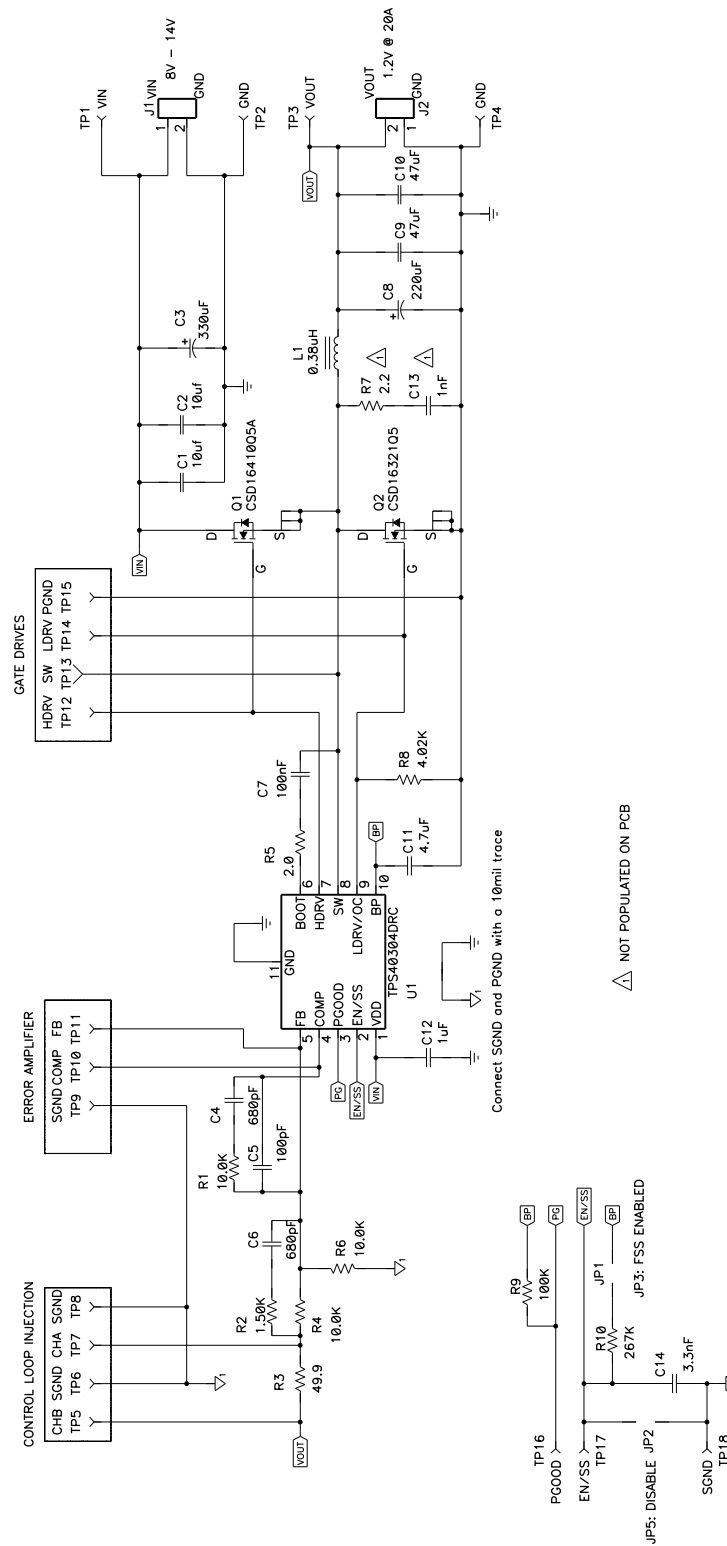
Table 1. TPS40304EVM-353 Electrical and Performance Specifications

Parameter	Notes and Conditions	Min	Typ	Max	Unit		
Inputs Characteristics							
V _{IN}	Input voltage	8	12	14	V		
I _{IN}	Input current	V _{IN} = Nom, I _{OUT} = Max		–	2.3	2.5	A
	No load input current	V _{IN} = Nom, I _{OUT} = 0A		–	40	50	mA
V _{IN_UVLO}	Input UVLO	I _{OUT} = 10A		3.0			V
Outputs Characteristics							
V _{OUT1}	Output voltage 1	V _{IN} = 12V, I _{OUT} = 20A		1.17	1.2	1.23	V
	Line regulation	V _{IN} = 8V to 14V		–	–	0.5%	
	Load regulation	I _{OUT} = 0A to 20A		–	–	0.5%	
V _{OUT_ripple}	Output voltage ripple	V _{IN} = 12V, I _{OUT} = 20A		–	–	24	mVpp
I _{OUT1}	Output current 1	V _{IN} = 8V to 14V		0		20	A
Systems Characteristics							
F _{SW}	Switching frequency	540	600	660			kHz

Table 1. TPS40304EVM-353 Electrical and Performance Specifications (continued)

Parameter		Notes and Conditions	Min	Typ	Max	Unit
η_{pk}	Peak efficiency	$V_{IN} = 12V$	–	88%	–	
η	Full load efficiency	$V_{IN} = 12V, I_{OUT} = 20A$	–	86%	–	

3 TPS40304EVM-353 Schematic



For reference only, See Table 3 for specific values

Figure 1. TPS40304EVM-353 Schematic

4 Connector and Test Point Descriptions

4.1 Enable Jumper (JP2)

The TPS40304EVM-353 is designed with a Disable Jumper (JP2) using a 0.1" spacing header and shunt. Installing a shunt in the JP2 position connects the EN/SS pin to GND, discharges the soft-start capacitor, and disables the TPS40304 controller. This forces the output into a high-impedance state (approximately 20kΩ to GND).

4.2 Frequency Spread Spectrum – FSS Jumper (JP1)

The TPS40304EVM-353 is designed with a FSS Enable Jumper (JP1) using a 0.1" spacing header and shunt. Installing a shunt in the JP1 position connects the EN/SS pin to BP via a 267-kΩ resistor (R10) to enable Frequency Spread Spectrum.

Frequency Spread Spectrum modulates the switching frequency to $\pm 10\%$ of the nominal value at 30kHz to reduce EMI at the switching frequency and its harmonics, however there may be a 30-kHz component to the output ripple (see [Figure 10](#)).

The TPS40304EVM-353 does not dynamically monitor the JP1 status for programming FSS. The TPS40304EVM-353 must be disabled via JP2 or powered down by reducing VIN to less than 3.0V to remove or install JP1.

4.3 Test Point Descriptions

Table 2. Test Point Descriptions

Test Point	Label	Use	Section
TP1	VIN	Measurement test point for input voltage	4.3.1
TP2	GND	Ground test point for input voltage	4.3.1
TP3	VOUT	Measurement test point for output voltage	4.3.1
TP4	GND	Ground test point for output voltage	4.3.2
TP5	CHB	Measurement test point for channel B of loop response	4.3.3
TP6	SGND	Ground test point for channel B of loop response	4.3.3
TP7	CHA	Measurement test point for channel A of loop response	4.3.3
TP8	SGND	Ground test point for channel A of loop response	4.3.3
TP9	SGND	Ground test point for error amplifier measurements	4.3.4
TP10	COMP	Measurement test point for error amplifier output voltage	4.3.4
TP11	FB	Measurement test point for error amplifier input voltage	4.3.4
TP12	HDRV	Measurement test point for high-side gate driver voltage	4.3.5
TP13	SW	Measurement test point for switching node voltage	4.3.5
TP14	LDRV	Measurement test point for low-side gate driver voltage	4.3.5
TP15	PGND	Ground test point for switch node and gate drive voltages	4.3.5
TP16	PGOOD	Measurement test point for power good	4.3.6
TP17	EN/SS	Measurement test point for enable / soft-start	4.3.7
TP18	SGND	Ground test point for power good and enable / soft-start	4.3.6 and 4.3.7

4.3.1 Input Voltage Monitoring (TP1 and TP2)

The TPS40304EVM-353 provides two test points for measuring the input voltage applied to the module. This allows the user to measure the actual input module voltage without losses from input cables and connectors. All input voltage measurements should be made between TP1 and TP2. To use TP1 and TP2, connect a voltmeter positive input to TP1 and input terminal to TP2.

4.3.2 Output Voltage Monitoring (TP3 and TP4)

The TPS40304EVM-353 provides two test points for measuring the output voltage generated by the module. This allows the user to measure the actual module output voltage without losses from input cables and connectors. All input voltage measurements should be made between TP3 and TP4. To use TP3 and TP4, connect a voltmeter positive input to TP3 and negative input to TP4.

4.3.3 Loop Response Testing (TP5, TP6, TP7, TP8, and R3)

The TPS40304EVM-353 provides four test points (2 signal and 2 ground) for measuring the control loop frequency response. This allows the user to measure the actual module loop response without modifying the evaluation board. A transformer isolated signal up to 30mV can be injected between TP5 and TP7. The injected signal amplitude can be measured by the ac coupled amplitude at CHA (TP7) and the resulting output voltage deviation can be measured at CHB (TP5). See [Figure 4](#) for additional detail.

4.3.4 Error Amplifier Voltage Monitoring (TP9, TP10, and TP11)

The TPS40304EVM-353 provides three test points for measuring the error amplifier input and output voltages. This allows the user to directly measure the feedback and control voltages of the TPS40304 controller. The control voltage (TP10) can also be used to measure the Control to Output or Power Stage frequency response or Output to Control or Error Amplifier frequency response. See section 5.5 for additional details.

4.3.5 Switching Waveform Monitoring (TP12, TP13, TP14, and TP15)

The TPS40304EVM-353 provides three test points and a local power ground for measuring the switching waveforms of the module power stage. This allows the user to monitor actual switching waveforms during operation. TP13 is a 0.040" square pad of exposed PCB copper to minimize EMI radiation from the high transient voltages on the switch node. Switching waveform measurements should be made using Power Ground (TP15) as the ground reference for more accurate measurements.

4.3.6 Power Good Voltage Monitoring (TP16 and TP18)

The TPS40304EVM-353 provides a test point and local ground for measuring the power good output voltage. A 100-k Ω resistor pull-up to BP (R9) is included to allow the Power Good signal to be monitored without requiring an external pull-up. For true open-drain operation with no pull-up, remove R9. With R9 removed, TP16 can be connected to TP17 of another TPS40304EVM-353 to provide sequential start-up of the two TPS40304EVM-353 converters.

4.3.7 Enable and Soft-Start Voltage Monitoring (TP17 and TP18)

The TPS40304EVM-353 provides a test point and local ground for measuring the Enable and Soft-Start voltage. TP17 and TP18 or JP2 can be used to provide an external enable signal. Due to the nature of the Soft-Start function, the external signal must be open-collector or open-drain without pull-up.

5 Test Set Up

5.1 Equipment

5.1.1 Voltage Source

V_{IN} — The input voltage source (V_{IN}) shall be a 0V – 15V variable DC source capable of supplying 5.0A_{dc}

5.1.2 Meters

A1: — Input current meter. 0A_{dc} – 5A_{dc} ammeter

V1: — Input voltage meter. 0V – 15V voltmeter

V2: — Output voltage meter. 0V – 2V voltmeter

5.1.3 Load

LOAD1: — Output load. Electronic load set for constant current or constant resistance capable of 0Adc – 20Adc at 1.2Vdc

5.1.4 Oscilloscope

For output voltage ripple: — Oscilloscope shall be an analog or digital oscilloscope set for ac coupled measurement with 20-MHz bandwidth limiting. Use 20mV/division vertical resolution, 1.0 μ s/division horizontal resolution.

For switching waveforms: — Oscilloscope shall be an analog or digital oscilloscope set for dc coupled measurement with 20-MHz bandwidth limiting. Use 2V/division or 5V/division vertical resolution and 1.0 μ s/division horizontal resolution.

5.1.5 Recommended Wire Gauge

VIN to J1: — The connection between the source voltage (VIN) and J1 of TPS40304EVM-353 can carry as much as 3.5Adc of current. The minimum recommended wire size is AWG #16 with the total length of wire less than 2 feet (1 foot input, 1 foot return).

J2 to LOAD1: — The connection between the source voltage (VIN) and J1 of TPS40304EVM-353 can carry as much as 20Adc of current. The minimum recommended wire size is AWG #12 with the total length of wire less than 2 feet (1 foot input, 1 foot return).

5.1.6 Other

FAN: — The TPS40304EVM-353 evaluation module includes components that can get hot to the touch when operating. Because this evaluation module is not enclosed to allow probing of circuit nodes, a small fan capable of 200lfm – 400lfm is recommended to reduce component temperatures when operating.

5.2 Equipment Setup

Shown in [Figure 2](#) is the basic test set up recommended to evaluate the TPS40304EVM-353. Note that although the return for J1 and JP2 are the same system ground, the connections should remain separate as shown in [Figure 2](#).

5.2.1 Procedure

1. Working at an ESD workstation, make sure that any wrist straps, bootstraps, or mats are connected referencing the user to earth ground before power is applied to the EVM. Electrostatic smock and safety glasses should also be worn.
2. Prior to connecting the dc input source, V_{IN} , it is advisable to limit the source current from V_{IN} to 4.0A maximum. Make sure V_{IN} is initially set to 0V and connected as shown in [Figure 2](#).
3. Connect VIN to J1 as shown in [Figure 2](#).
4. Connect ammeter A1 between VIN and J1 as shown in [Figure 2](#).
5. Connect voltmeter V1 to TP1 and TP2 as shown in [Figure 2](#).
6. Connect voltmeter V2 to TP3 and TP4 as shown in [Figure 2](#).
7. Connect oscilloscope probes to desired test points per [Table 2](#).
8. Place fan as shown in [Figure 2](#) and turn on making sure to blow air directly across the evaluation module.

5.2.2 Diagram

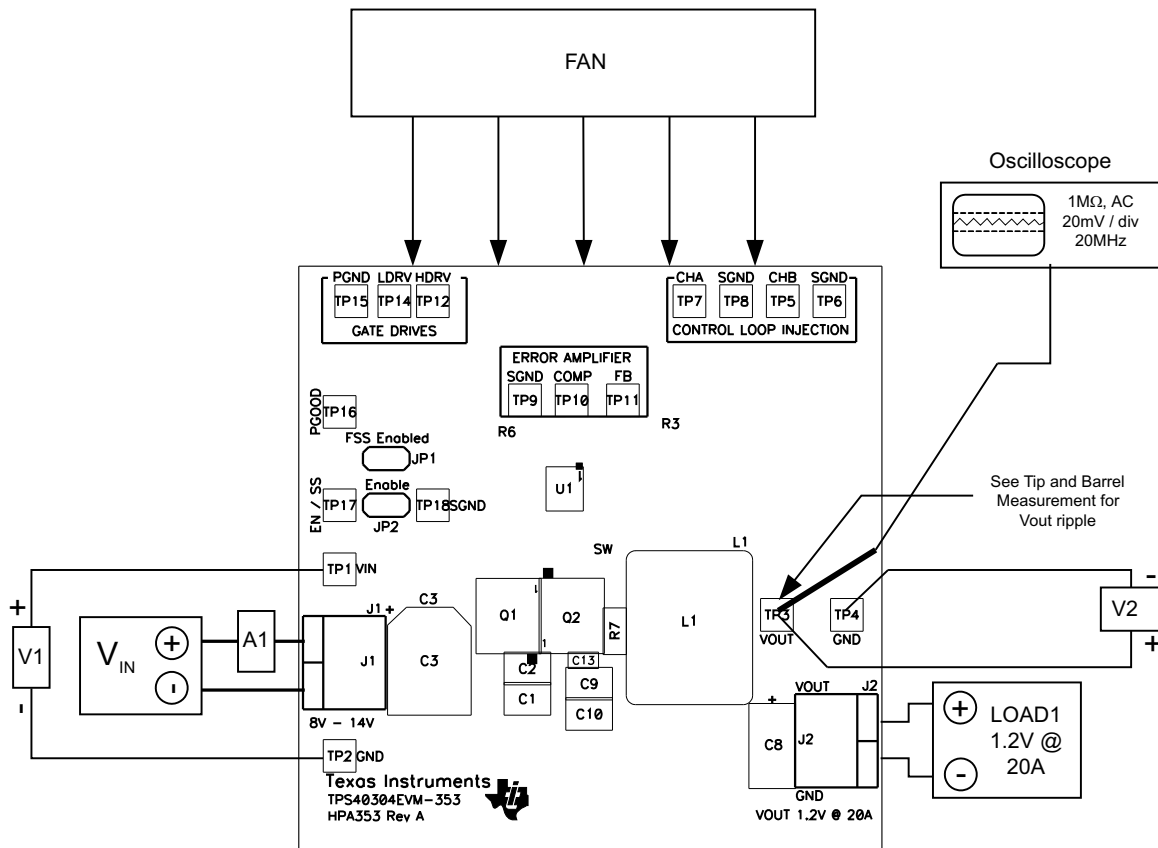


Figure 2. TPS40304EVM-353 Recommended Test Set-Up

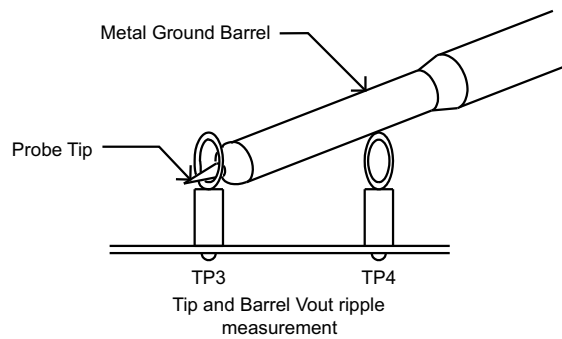


Figure 3. Output Ripple Measurement – Tip and Barrel using TP3 and TP4

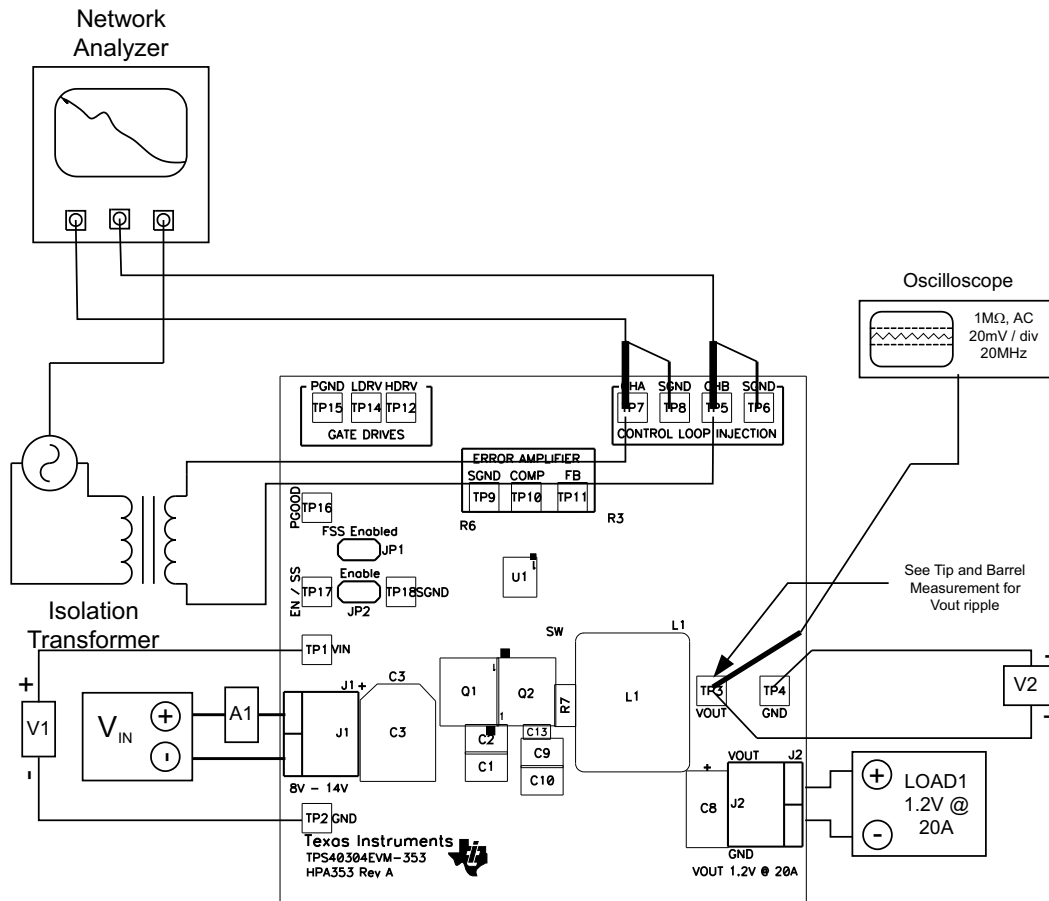


Figure 4. Control Loop Measurement Setup

5.3 Start Up/Shut Down Procedure

1. Verify shunt position for JP1 for desired FSS status per section 4.1.2
2. Remove shunt from JP2 location if present
3. Increase VIN from 0Vdc to 12Vdc
4. Vary LOAD1 from 0Adc to 20Adc
5. Vary VIN from 8V to 14V
6. Decrease VIN to 0V
7. Decrease LOAD1 to 0A

5.4 Output Ripple Voltage Measurement Procedure

1. Follow section 5.3 Start-Up/Shut-Down Procedure steps 1 – 5 to set VIN and LOAD1 to the desired operating condition
2. Connect oscilloscope probe with exposed metal barrel to TP3 and TP4 per Figure 3
3. Set oscilloscope per oscilloscope for output voltage ripple measurement in section 5.1.4
4. Follow section 5.3 Start-Up/Shut-Down Procedure steps 6 and 7 to power down

5.5 Control Loop Gain and Phase Measurement Procedure

1. Follow section 5.3 Start-Up / Shut-Down Procedure steps 1 – 5 to set VIN and LOAD1 to the desired operating condition
 - (a) If JP1 is installed (FSS enabled), loop response data about the modulation frequency (30kHz) may be affected

2. Connect a 1-kHz – 1-MHz isolation transformer to TP5 and TP7 as shown in [Figure 4](#)
3. Connect input signal amplitude measurement probe (channel A) to TP7 as shown in [Figure 4](#)
4. Connect output signal amplitude measurement probe (channel B) to TP5 as shown in [Figure 4](#)
5. Connect ground lead of channel A and channel B to TP6 and TP8 as shown in [Figure 4](#)
6. Inject 30mV or less signal across R3 through isolation transformer
7. Sweep frequency from 1kHz to 1MHz with 10-Hz or lower post filter

$$20 \times \text{LOG} \left(\frac{\text{Channel B}}{\text{Channel A}} \right)$$

8. Control loop gain can be measured by
9. Control loop phase can be measured by the phase difference between channel A and channel B
10. Control to output response (power stage transfer function) can be measured by connecting channel A probe to TP10 (COMP) and channel B probe to TP5 (CHB)
11. Output to control response (compensated error amplifier transfer function) can be measured by connecting channel A probe to TP7 (CHA) and channel B probe to TP10 (COMP)
12. Follow section 5.3 Start-Up / Shut-Down Procedure steps 6 and 7 to power down

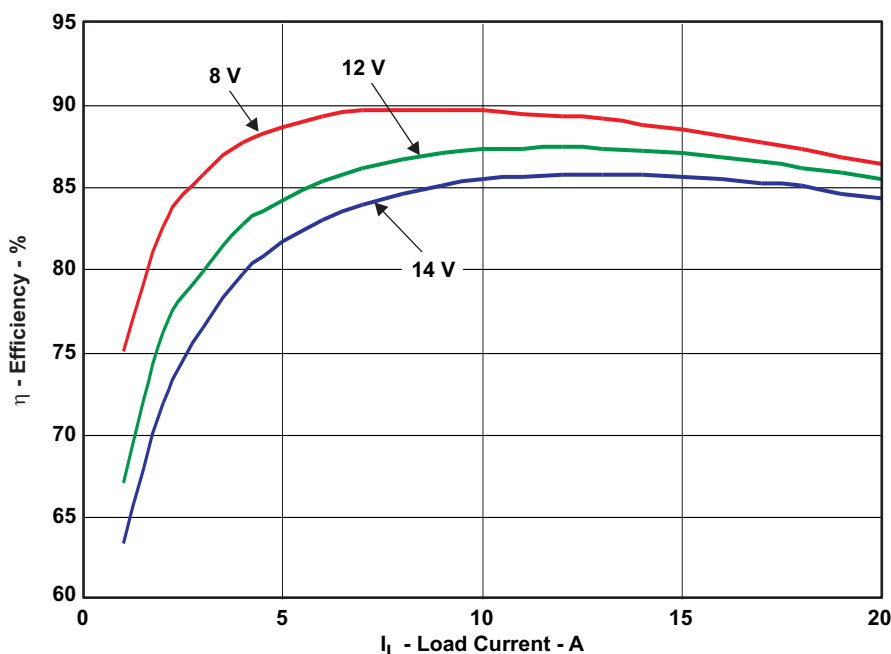
5.6 Equipment Shutdown

1. Shut down oscilloscope
2. Shut down LOAD1
3. Shut down VIN
4. Shut down fan

6 TPS40304EVM-353 Test Data

[Figure 5](#) through [Figure 10](#) present typical performance curves for the TPS40304EVM-353. Since actual performance data can be affected by measurement techniques and environmental variables, these curves are presented for reference and may differ from actual field measurements.

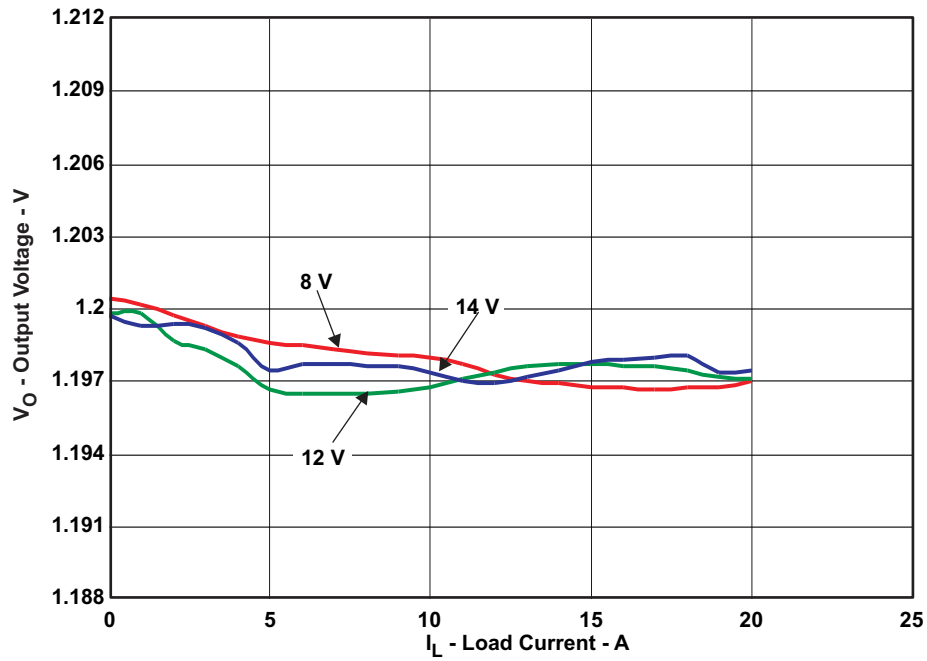
6.1 Efficiency



$V_{IN} = 8.0V - 14V$, $V_{OUT} = 1.2V$, $I_{OUT} = 0A - 20A$

Figure 5. TPS40304EVM-353 Efficiency versus Load Current

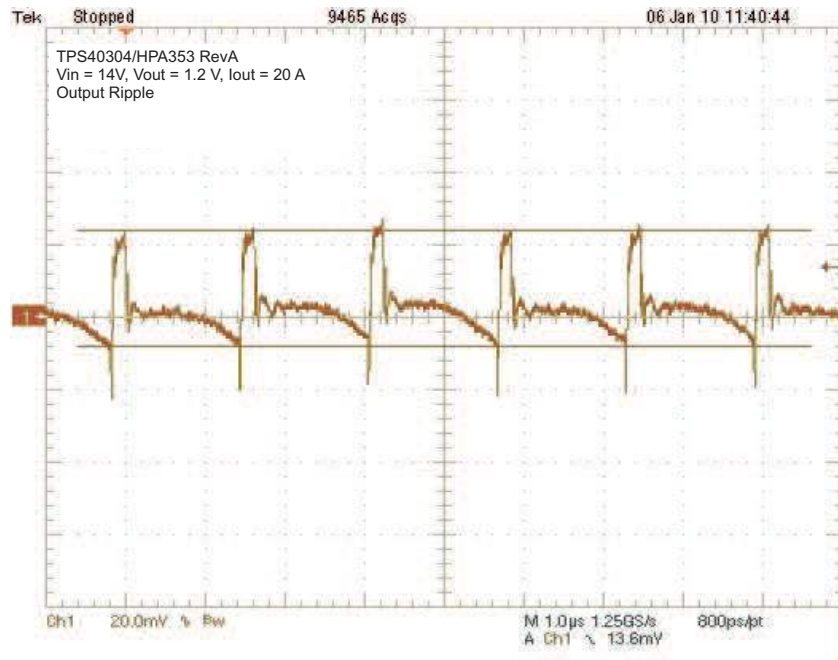
6.2 Line and Load Regulation



$V_{IN} = 8.0V - 14V$, $V_{OUT} = 1.2V$, $I_{OUT} = 0A - 20A$

Figure 6. TPS40304EVM-353 Output Voltage verse Load Current

6.3 Output Voltage Ripple



$V_{IN} = 14V$, $V_{OUT} = 1.2V$, $I_{OUT} = 20A$

Figure 7. TPS40304EVM-353 Output Voltage Ripple

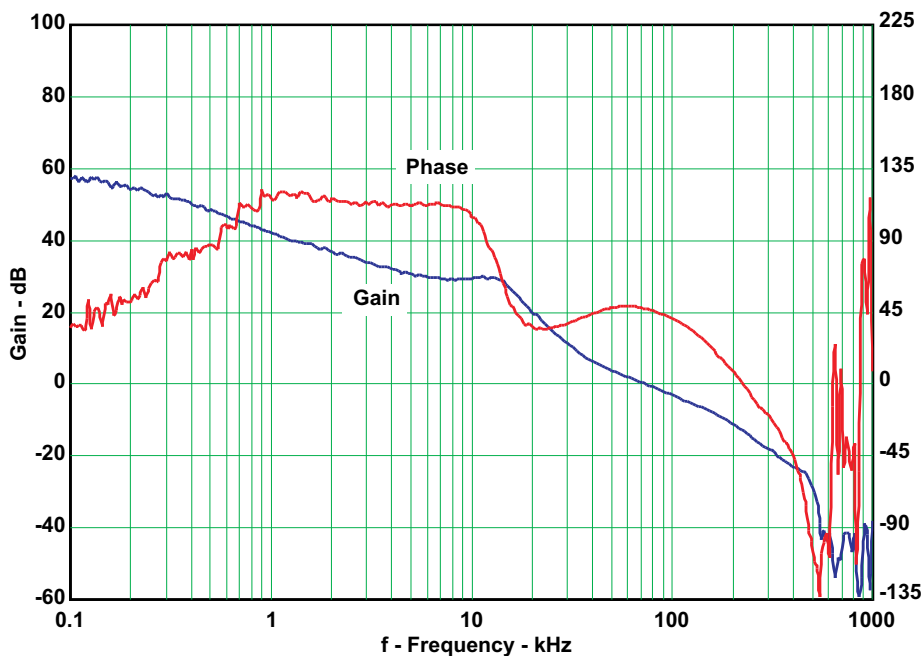
6.4 Switch Node



$V_{IN} = 12V$, $V_{OUT} = 1.2V$, $I_{OUT} = 20A$
 Ch1: TP12 (HDRV), Ch2:13 TP (SW), Ch3: TP14 (LDRV)

Figure 8. TPS40304EVM-353 Switching Waveforms

6.5 Control Loop Bode Diagram



$V_{IN} = 14V$, $V_{OUT} = 1.2V$, $I_{OUT} = 20A$, Bandwidth: 73kHz, Phase Margin: 47°

Figure 9. TPS40304EVM-353 Gain and Phase vs Frequency

6.6 Additional Waveforms

6.6.1 Output Ripple with Frequency Spread Spectrum (FSS) Enabled

Frequency Spread Spectrum varies the output switching frequency. This change in switching frequency can produce a small change in the output voltage at the modulation frequency. Figure 10 shows the approximately 10mV modulation of the output voltage generated when Frequency Spread Spectrum is enabled.

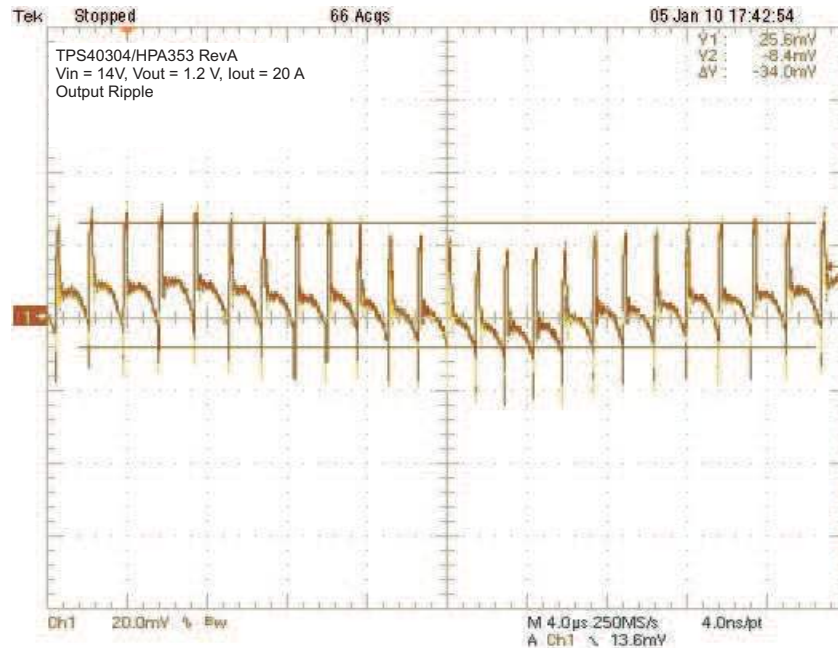
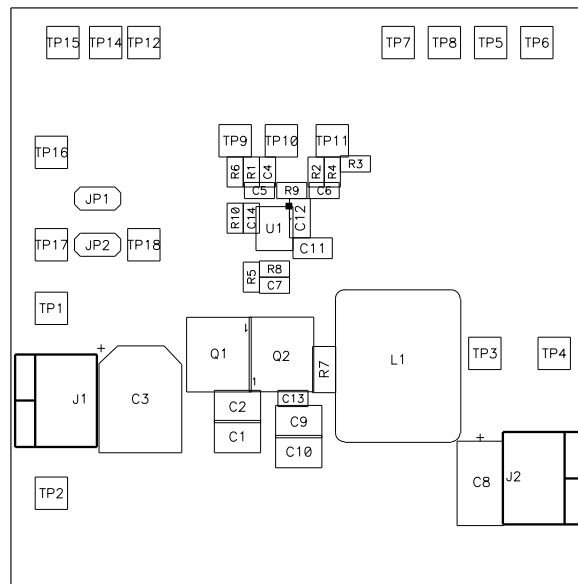
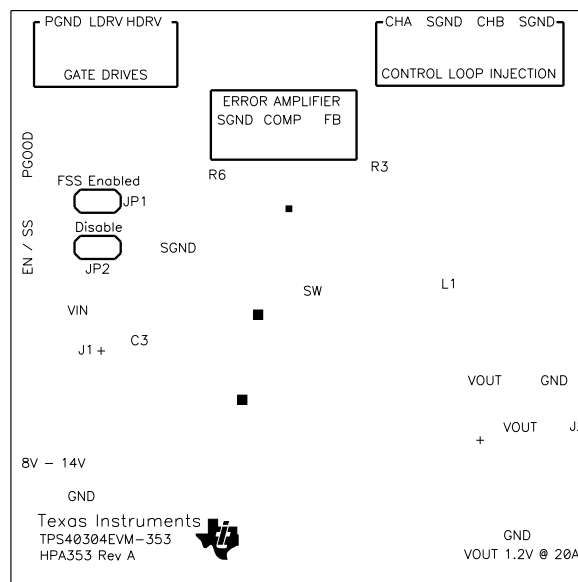


Figure 10. TPS40304EVM-353 Output Ripple with FSS Enabled

7 TPS40304EVM-353 Assembly Drawings and Layout

The following figures (Figure 11 through Figure 16) show the design of the TPS40304EVM-353 printed circuit board. The EVM has been designed using a 4-layer, 2oz. copper-clad circuit board 3.0" x 3.0" with all components on the top to allow the user to easily view, probe, and evaluate the TPSxxxxx control IC in a practical double-sided application. Moving components to both sides of the PCB or using additional internal layers can offer additional size reduction for space constrained systems.


Figure 11. TPS40304EVM-353 Component Placement (Top view)

Figure 12. TPS40304EVM-353 Silk Screen (Top view)

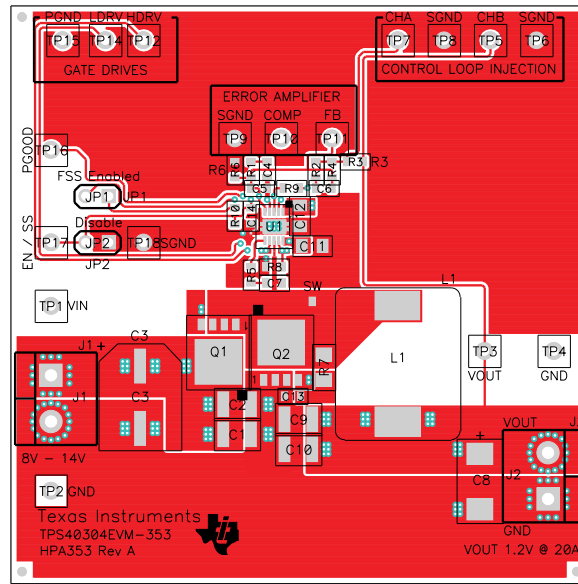


Figure 13. TPS40304EVM-353 Top Copper (Top view)

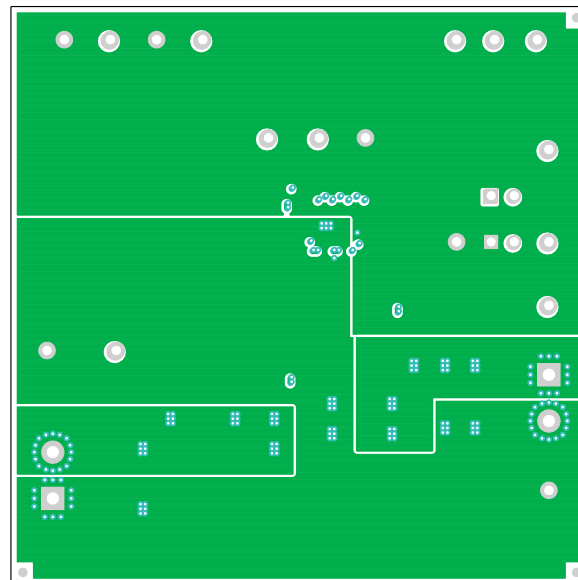


Figure 14. TPS40304EVM-353 Bottom Copper (Top view)

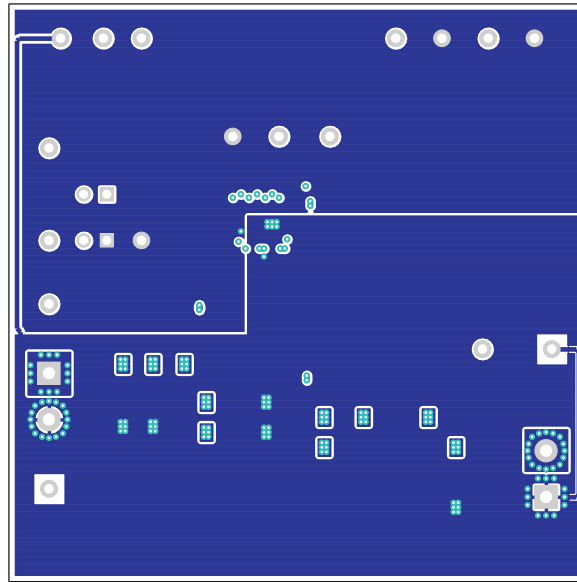


Figure 15. TPS40304EVM-353 Internal 1 (X-Ray Top view)

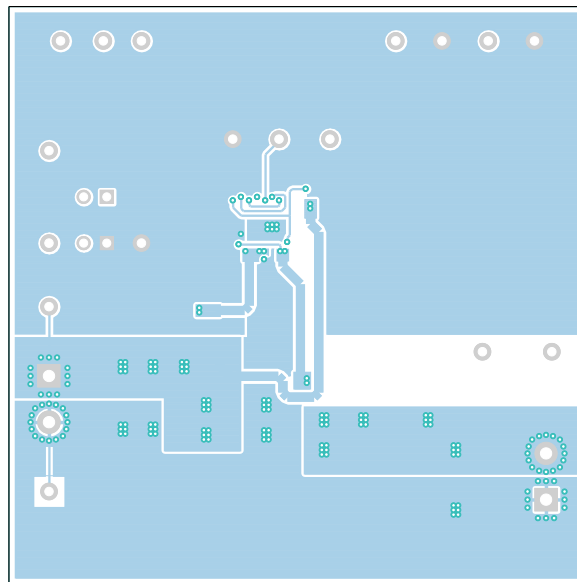


Figure 16. TPS40304EVM-353 Internal 2 (X-Ray Top view)

8 TPS40304EVM-353 Bill of Materials
Table 3. TPS40304EVM-353 Bill of Materials

QTY	RefDes	Value	Description	Size	Part Number	MFR
2	C1, C2	10µF	Capacitor, Ceramic, 25V, X7R, 10%	1210	Std	Std
1	C11	4.7µF	Capacitor, Ceramic, 10V, X7R, 20%	0805	Std	Std
1	C12	1µF	Capacitor, Ceramic, 25V, X7R, 20%	0805	Std	Std
0	C13	1nF	Capacitor, Ceramic, 25V, X5R, 20%	0603	Std	Std
1	C14	3.3nF	Capacitor, Ceramic, 16V, X7R, 20%	0603	Std	Std
1	C3	330µF	Capacitor, Aluminum, 25V, ±20%, 160mΩ	0.328 x 0.390 inch	EEEFK1E331P	Panasonic
2	C4, C6	680pF	Capacitor, Ceramic, 25V, COG, 10%	0603	Std	Std
1	C5	100pF	Capacitor, Ceramic, 25V, COG, 10%	0603	Std	Std
1	C7	100nF	Capacitor, Ceramic, 16V, X7R, 20%	0603	Std	Std
1	C8	220µF	Capacitor, POSCAP, 6.3V, 25mΩ, 105C, 20%	7343(D)	6TPE220M	Sanyo
2	C9, C10	47µF	Capacitor, Ceramic, 6.3V, X5R, 20%	1210	Std	Std
2	J1, J2	ED120/2DS	Terminal Block, 2-pin, 15A, 5.1mm	0.40 x 0.35 inch	ED120/2DS	OST
2	JP1, JP2	PEC02SAAN	Header, 2-pin, 100mil spacing	0.100 inch x 2	PEC02SAAN	Sullins
1	L1	0.38µH	Inductor, SMT, 35A	0.512 x 0.571 inch	PG0077.401NLT	Pulse
1	Q1*	CSD16410Q5A	MOSFET, N-Chan, 25V, 59A, 9.6mΩ	QFN-8 POWER	CSD16410Q5A	TI
1	Q2*	CSD16321Q5	MOSFET, N-Chan, 25V, 31A	QFN-8 POWER	CSD16321Q5	TI
3	R1, R4, R6	10.0kΩ	Resistor, Chip, 1/16W, 1%	0603	Std	Std
1	R10	267kΩ	Resistor, Chip, 1/16W, 1%	0603	Std	Std
1	R2	1.50kΩ	Resistor, Chip, 1/16W, 1%	0603	Std	Std
1	R3	49.9Ω	Resistor, Chip, 1/16W, 1%	0603	Std	Std
1	R5	2Ω	Resistor, Chip, 1/16W, 1%	0603	Std	Std
0	R7	2.2Ω	Resistor, Chip, 1/8W, 5%	1206	Std	Std
1	R8	4.02kΩ	Resistor, Chip, 1/16W, 1%	0603	Std	Std
1	R9	100kΩ	Resistor, Chip, 1/16W, 1%	0603	Std	Std
2	TP1, TP3	5000	Test Point, Red, Thru Hole Color Keyed	0.100 x 0.100 inch	5000	Keystone
0	TP13	N/A	Test Point, SM, 2x3mm	0.118 x 0.079 inch		
6	TP2, TP4, TP6, TP8, TP15, TP18	5001	Test Point, Black, Thru Hole Color Keyed	0.100 x 0.100 inch	5001	Keystone
9	TP5, TP7, TP9-TP12, TP14, TP16, TP17	5002	Test Point, White, Thru Hole Color Keyed	0.100 x 0.100 inch	5002	Keystone
1	U1*	TPS40304DRC	IC, 3V – 20V sync. Buck controller/Enable Light Load/Fq Spread Spectrum	DRC10	TPS40304DRC	TI
2	–		Shunt, 100-mil, Black	0.1	929950-00	3M
1	–		PCB, 2.5 In x 2.5 In x 0.062 In		HPA353	Any

Evaluation Board/Kit Important Notice

Texas Instruments (TI) provides the enclosed product(s) under the following conditions:

This evaluation board/kit is intended for use for **ENGINEERING DEVELOPMENT, DEMONSTRATION, OR EVALUATION PURPOSES ONLY** and is not considered by TI to be a finished end-product fit for general consumer use. Persons handling the product(s) must have electronics training and observe good engineering practice standards. As such, the goods being provided are not intended to be complete in terms of required design-, marketing-, and/or manufacturing-related protective considerations, including product safety and environmental measures typically found in end products that incorporate such semiconductor components or circuit boards. This evaluation board/kit does not fall within the scope of the European Union directives regarding electromagnetic compatibility, restricted substances (RoHS), recycling (WEEE), FCC, CE or UL, and therefore may not meet the technical requirements of these directives or other related directives.

Should this evaluation board/kit not meet the specifications indicated in the User's Guide, the board/kit may be returned within 30 days from the date of delivery for a full refund. **THE FOREGOING WARRANTY IS THE EXCLUSIVE WARRANTY MADE BY SELLER TO BUYER AND IS IN LIEU OF ALL OTHER WARRANTIES, EXPRESSED, IMPLIED, OR STATUTORY, INCLUDING ANY WARRANTY OF MERCHANTABILITY OR FITNESS FOR ANY PARTICULAR PURPOSE.**

The user assumes all responsibility and liability for proper and safe handling of the goods. Further, the user indemnifies TI from all claims arising from the handling or use of the goods. Due to the open construction of the product, it is the user's responsibility to take any and all appropriate precautions with regard to electrostatic discharge.

EXCEPT TO THE EXTENT OF THE INDEMNITY SET FORTH ABOVE, NEITHER PARTY SHALL BE LIABLE TO THE OTHER FOR ANY INDIRECT, SPECIAL, INCIDENTAL, OR CONSEQUENTIAL DAMAGES.

TI currently deals with a variety of customers for products, and therefore our arrangement with the user **is not exclusive.**

TI assumes **no liability for applications assistance, customer product design, software performance, or infringement of patents or services described herein.**

Please read the User's Guide and, specifically, the Warnings and Restrictions notice in the User's Guide prior to handling the product. This notice contains important safety information about temperatures and voltages. For additional information on TI's environmental and/or safety programs, please contact the TI application engineer or visit www.ti.com/esh.

No license is granted under any patent right or other intellectual property right of TI covering or relating to any machine, process, or combination in which such TI products or services might be or are used.

FCC Warning

This evaluation board/kit is intended for use for **ENGINEERING DEVELOPMENT, DEMONSTRATION, OR EVALUATION PURPOSES ONLY** and is not considered by TI to be a finished end-product fit for general consumer use. It generates, uses, and can radiate radio frequency energy and has not been tested for compliance with the limits of computing devices pursuant to part 15 of FCC rules, which are designed to provide reasonable protection against radio frequency interference. Operation of this equipment in other environments may cause interference with radio communications, in which case the user at his own expense will be required to take whatever measures may be required to correct this interference.

EVM Warnings and Restrictions

It is important to operate this EVM within the input voltage range of 8 V to 14 V and the output voltage range of $1.2\text{ V} \pm 2\%$.

Exceeding the specified input range may cause unexpected operation and/or irreversible damage to the EVM. If there are questions concerning the input range, please contact a TI field representative prior to connecting the input power.

Applying loads outside of the specified output range may result in unintended operation and/or possible permanent damage to the EVM. Please consult the EVM User's Guide prior to connecting any load to the EVM output. If there is uncertainty as to the load specification, please contact a TI field representative.

During normal operation, some circuit components may have case temperatures greater than 85° C. The EVM is designed to operate properly with certain components above 85° C as long as the input and output ranges are maintained. These components include but are not limited to linear regulators, switching transistors, pass transistors, and current sense resistors. These types of devices can be identified using the EVM schematic located in the EVM User's Guide. When placing measurement probes near these devices during operation, please be aware that these devices may be very warm to the touch.

Mailing Address: Texas Instruments, Post Office Box 655303, Dallas, Texas 75265
Copyright © 2010, Texas Instruments Incorporated

IMPORTANT NOTICE

Texas Instruments Incorporated and its subsidiaries (TI) reserve the right to make corrections, modifications, enhancements, improvements, and other changes to its products and services at any time and to discontinue any product or service without notice. Customers should obtain the latest relevant information before placing orders and should verify that such information is current and complete. All products are sold subject to TI's terms and conditions of sale supplied at the time of order acknowledgment.

TI warrants performance of its hardware products to the specifications applicable at the time of sale in accordance with TI's standard warranty. Testing and other quality control techniques are used to the extent TI deems necessary to support this warranty. Except where mandated by government requirements, testing of all parameters of each product is not necessarily performed.

TI assumes no liability for applications assistance or customer product design. Customers are responsible for their products and applications using TI components. To minimize the risks associated with customer products and applications, customers should provide adequate design and operating safeguards.

TI does not warrant or represent that any license, either express or implied, is granted under any TI patent right, copyright, mask work right, or other TI intellectual property right relating to any combination, machine, or process in which TI products or services are used. Information published by TI regarding third-party products or services does not constitute a license from TI to use such products or services or a warranty or endorsement thereof. Use of such information may require a license from a third party under the patents or other intellectual property of the third party, or a license from TI under the patents or other intellectual property of TI.

Reproduction of TI information in TI data books or data sheets is permissible only if reproduction is without alteration and is accompanied by all associated warranties, conditions, limitations, and notices. Reproduction of this information with alteration is an unfair and deceptive business practice. TI is not responsible or liable for such altered documentation. Information of third parties may be subject to additional restrictions.

Resale of TI products or services with statements different from or beyond the parameters stated by TI for that product or service voids all express and any implied warranties for the associated TI product or service and is an unfair and deceptive business practice. TI is not responsible or liable for any such statements.

TI products are not authorized for use in safety-critical applications (such as life support) where a failure of the TI product would reasonably be expected to cause severe personal injury or death, unless officers of the parties have executed an agreement specifically governing such use. Buyers represent that they have all necessary expertise in the safety and regulatory ramifications of their applications, and acknowledge and agree that they are solely responsible for all legal, regulatory and safety-related requirements concerning their products and any use of TI products in such safety-critical applications, notwithstanding any applications-related information or support that may be provided by TI. Further, Buyers must fully indemnify TI and its representatives against any damages arising out of the use of TI products in such safety-critical applications.

TI products are neither designed nor intended for use in military/aerospace applications or environments unless the TI products are specifically designated by TI as military-grade or "enhanced plastic." Only products designated by TI as military-grade meet military specifications. Buyers acknowledge and agree that any such use of TI products which TI has not designated as military-grade is solely at the Buyer's risk, and that they are solely responsible for compliance with all legal and regulatory requirements in connection with such use.

TI products are neither designed nor intended for use in automotive applications or environments unless the specific TI products are designated by TI as compliant with ISO/TS 16949 requirements. Buyers acknowledge and agree that, if they use any non-designated products in automotive applications, TI will not be responsible for any failure to meet such requirements.

Following are URLs where you can obtain information on other Texas Instruments products and application solutions:

Products		Applications	
Amplifiers	amplifier.ti.com	Audio	www.ti.com/audio
Data Converters	dataconverter.ti.com	Automotive	www.ti.com/automotive
DLP® Products	www.dlp.com	Communications and Telecom	www.ti.com/communications
DSP	dsp.ti.com	Computers and Peripherals	www.ti.com/computers
Clocks and Timers	www.ti.com/clocks	Consumer Electronics	www.ti.com/consumer-apps
Interface	interface.ti.com	Energy	www.ti.com/energy
Logic	logic.ti.com	Industrial	www.ti.com/industrial
Power Mgmt	power.ti.com	Medical	www.ti.com/medical
Microcontrollers	microcontroller.ti.com	Security	www.ti.com/security
RFID	www.ti-rfid.com	Space, Avionics & Defense	www.ti.com/space-avionics-defense
RF/IF and ZigBee® Solutions	www.ti.com/lprf	Video and Imaging	www.ti.com/video
		Wireless	www.ti.com/wireless-apps

Mailing Address: Texas Instruments, Post Office Box 655303, Dallas, Texas 75265
Copyright © 2010, Texas Instruments Incorporated