

4

3

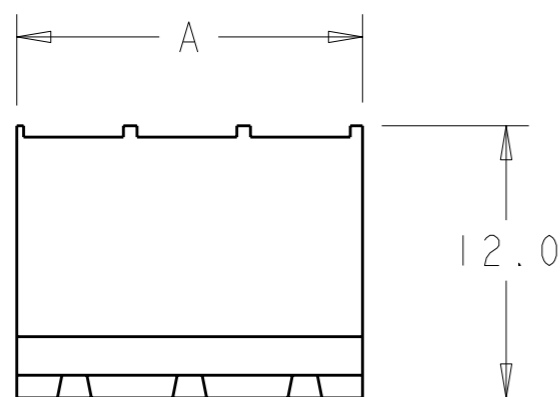
2

1

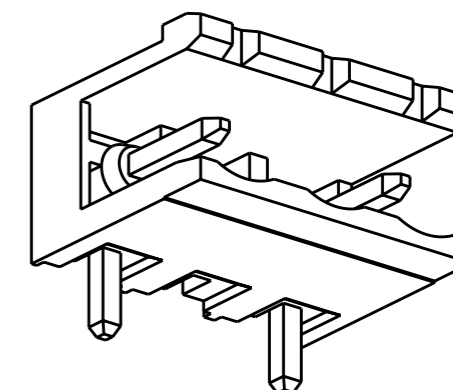
THIS DRAWING IS UNPUBLISHED. RELEASED FOR PUBLICATION 20

© COPYRIGHT 20 Tyco Electronics AMP GmbH ALL RIGHTS RESERVED.

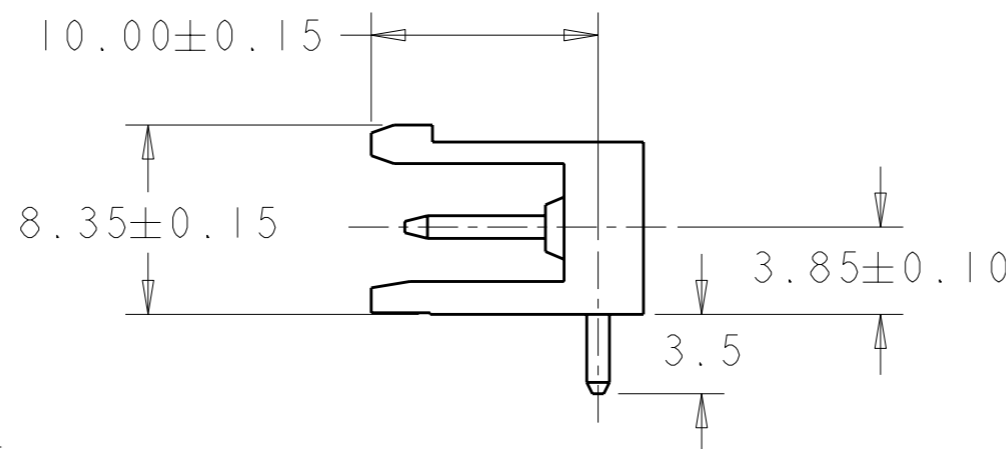
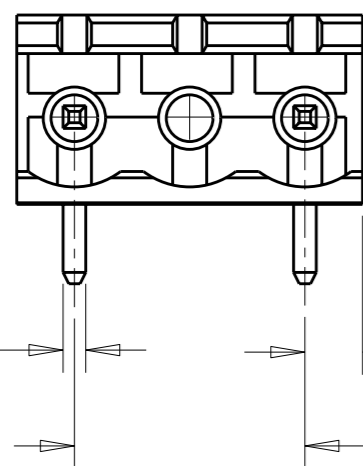
LOC	DIST	REVISIONS			
P	LTR	DESCRIPTION	DATE	DWN	APVD
FT	0	CI	REVISED PER ECO-12-007964	02MAY2012	KH MS



- 1 MATERIALS AND FINISH
HOUSING: PA 6-6, UL 94-V0, COLOR GREEN.
TERMINAL: COPPER ALLOY, TIN PLATED.
- 2 SUITABLE FOR 1,6-2,4mm PC BOARD THICKNESS.
- 3 RECOGNIZED UNDER THE COMPONENT PROGRAM OF UNDERWRITERS LABORATORIES INC. FILE N° E60677.
- 4 IMQ CERTIFICATE WITH SURVEILLANCE IN CONFORMITY WITH IEC 998-1/998-2-1.
- 5 NOT CUMULATIVE TOLERANCE.

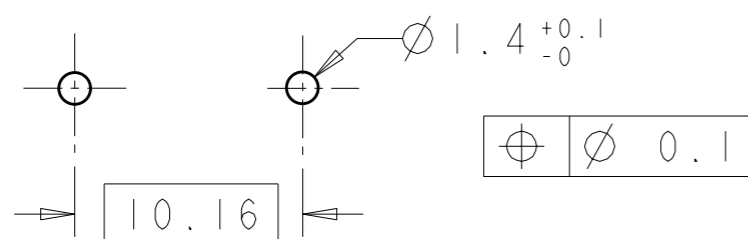


282819-2 AS SHOWN



127.00	13	1-282819-3
116.84	12	1-282819-2
106.68	11	1-282819-1
96.52	10	1-282819-0
86.36	9	282819-9
76.20	8	282819-8
66.04	7	282819-7
55.88	6	282819-6
45.72	5	282819-5
35.56	4	282819-4
25.40	3	282819-3
15.24	2	282819-2
DIM. A	N° OF POS.	PART NUMBER

RECOMMENDED PC BOARD LAYOUT



THIS DRAWING IS A CONTROLLED DOCUMENT.		DWN E. ZANOLINI 26 JUL 2001		TE Connectivity	
DIMENSIONS: mm		CHK D. BIEVENOUR 26 JUL 2001			
TOLERANCES UNLESS OTHERWISE SPECIFIED:		APVD D. BIEVENOUR 26 JUL 2001		NAME	
0 PLC ±-		PRODUCT SPEC		TERMINAL BLOCK HEADER ASSEMBLY	
1 PLC ±.2		108-20166		90 DEGREE OPEN ENDS	
2 PLC ±.25		APPLICATION SPEC		10.16mm PITCH	
3 PLC ±-		114-20079		SIZE	
4 PLC ±-		WEIGHT -		CAGE CODE	
ANGLES ±2		CUSTOMER DRAWING		DRAWING NO	
MATERIAL		FINISH		RESTRICTED TO	
1		1		A300779 C-282819	
				SCALE 3:1 SHEET 1 OF 1 REV CI	