

THIS DRAWING IS UNPUBLISHED.



RELEASED FOR PUBLICATION

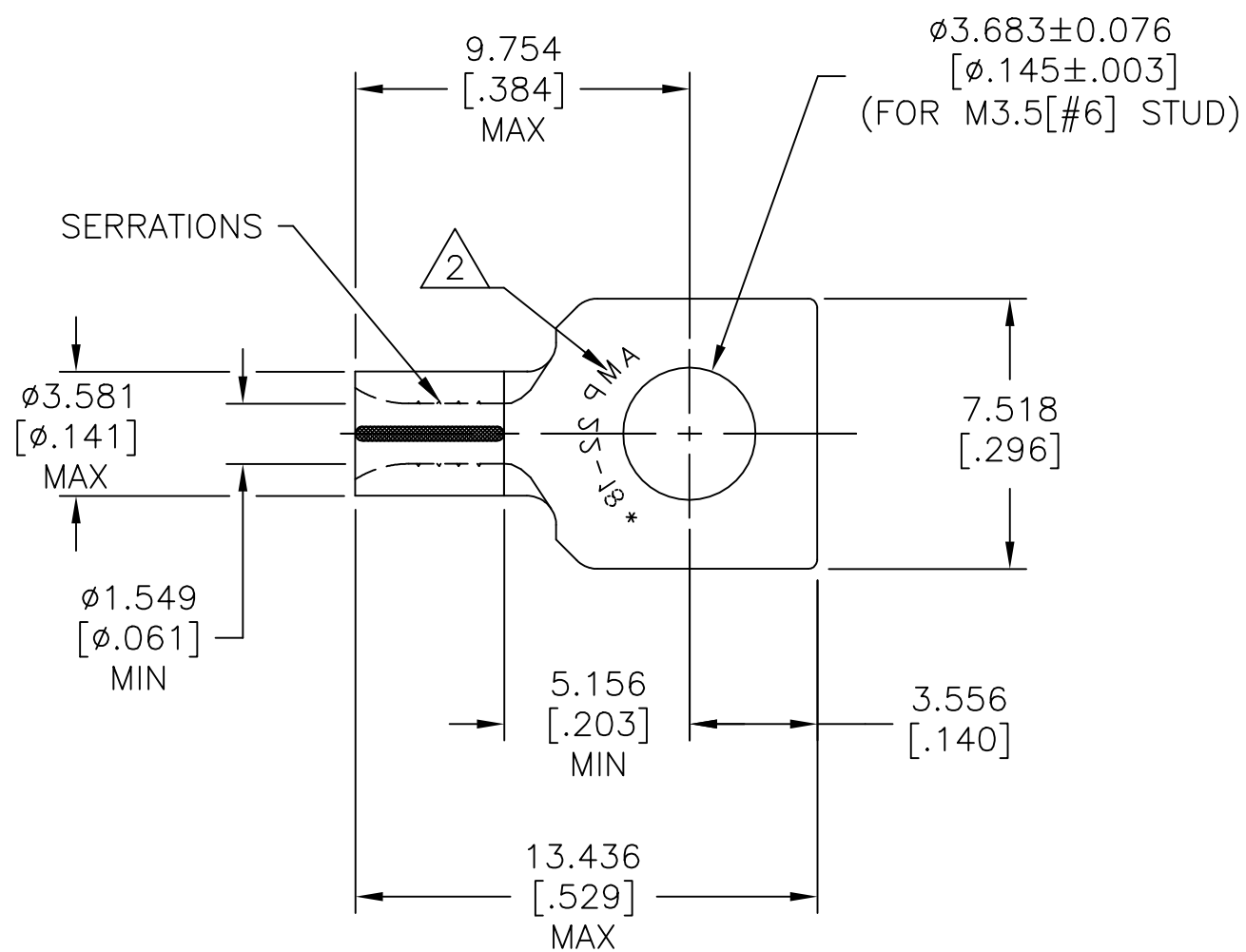
ALL RIGHTS RESERVED.

© COPYRIGHT - By -

REVISIONS

P	LTR	DESCRIPTION	DATE	DWN	APVD
	C2	REVISED PER ECO-13-019588	13DEC2013	KH	DR
	C3	REVISED PER ECO-17-008808	08FEB2018	RS	DR

 E13288 Listed	 LR7189 Certified
22-16 AWG SOLID OR STARNDDED	22-16 AWG SOLID OR STARNDDED



- 1 MATERIAL: COPPER 0.787±0.051 [.031±.002] THK (ASTM-B152)
FINISH: TIN PLATE (ASTM-B545)
ANNEALED
- 2 MARKING 22-18 FOR MILITARY
COMMERCIAL RANGE 22-16

1000	LOOSE PIECE	34263
QTY	PACKAGE TYPE	PART NO

AMP INCORPORATED
CUSTOMER SERVICE SYSTEMS

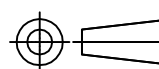
THIS DRAWING IS A CONTROLLED DOCUMENT.

DWN	RAGHAVENDRA	03JUL09
CHK	JEFF RUTH	03JUL09
APVD	TOM MICHIELUTTI	03JUL09



FOR ADDITIONAL PRODUCT INFORMATION OR COPIES OF DRAWINGS AND TECHNICAL DOCUMENTS	PRODUCT INFORMATION CENTER 1-800-522-6752
FOR APPLICATION TOOLING INFORMATION	TOOLING ASSISTANCE CENTER 1-800-722-1111
FOR ORDER ENTRY	1-800-526-5142

MAX RECOMMENDED OPERATING TEMPERATURE: 170°C [338°F] MAX
VOLTAGE RATING: NOT APPLICABLE
WIRE CROSS SECTIONAL AREA RANGE, 0.26-1.65mm ² [509-3,260] CIR MILS SOLID OR STRANDED

DIMENSIONS: mm [INCHES]	TOLERANCES UNLESS OTHERWISE SPECIFIED:
	0 PLC ± - 1 PLC ± - 2 PLC ± - 3 PLC ± 0.127[.005] 4 PLC ± - ANGLES ± .5°
MATERIAL	FINISH
1	1

NAME	WIRE TERMINAL, SOLISTRAND, RECTANGULAR TONGUE WIRE SIZE: 22-16
PRODUCT SPEC	UL 486 A-B
APPLICATION SPEC	-
WEIGHT	-
CUSTOMER DRAWING	SCALE 5:1

SIZE	CAGE CODE	DRAWING NO	RESTRICTED TO
A3	00779	C=34263	-
SHEET		1 OF 1	REV C3