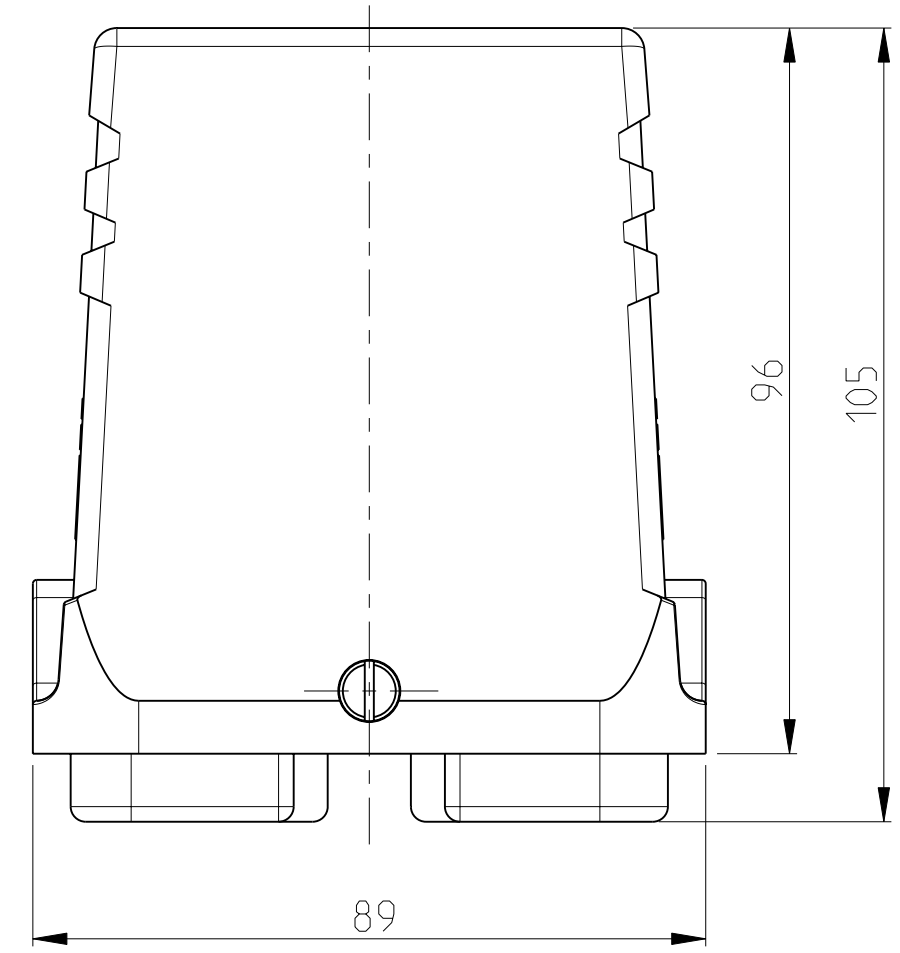
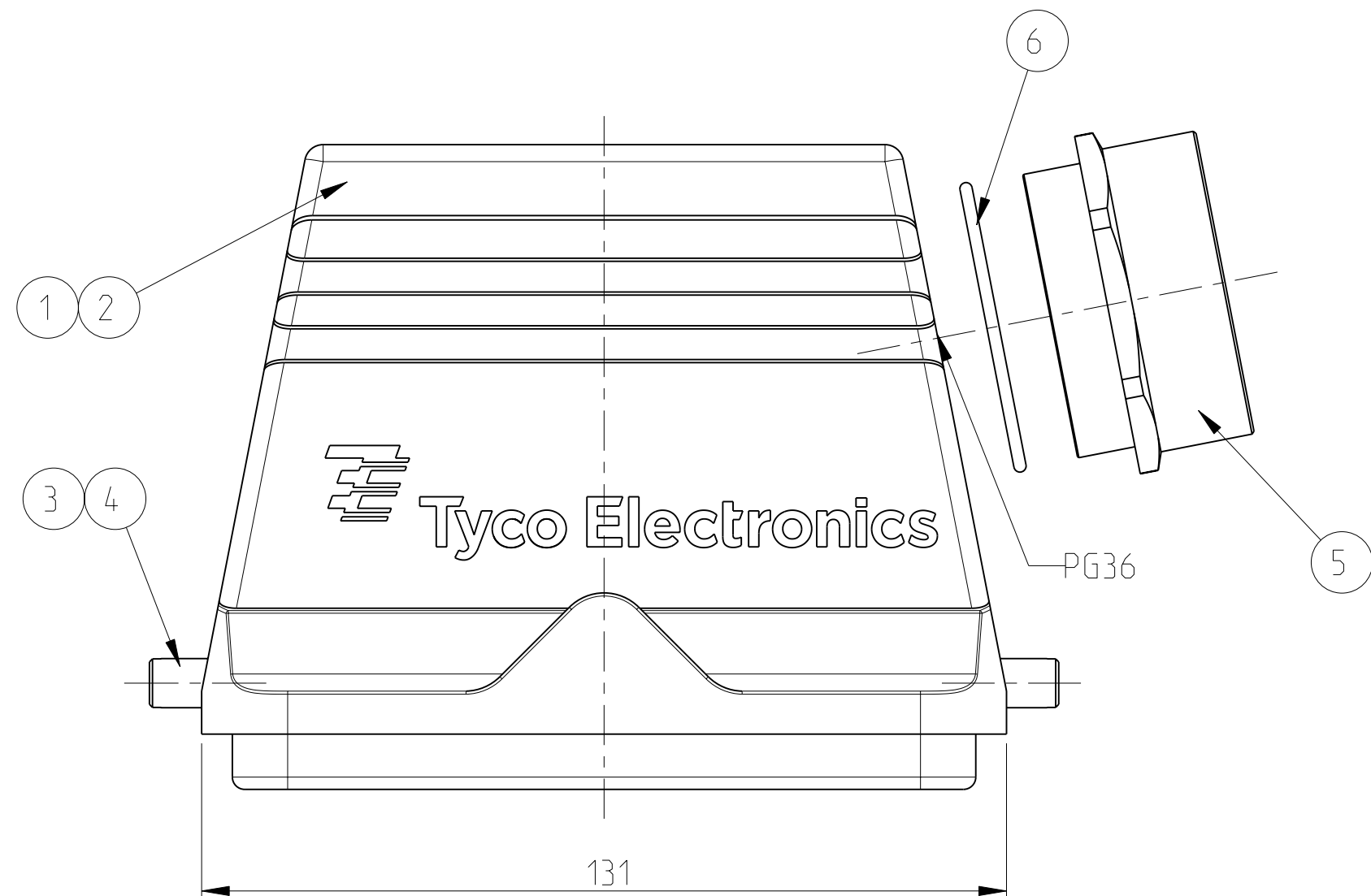


THIS DRAWING IS UNPUBLISHED. RELEASED FOR PUBLICATION 2011
 © COPYRIGHT 2011 ALL RIGHTS RESERVED.

LOC	DIST	REVISIONS				
P	LTR	DESCRIPTION	DATE	DWN	APVD	
A	-	B	REVISED PER ECO-11-008142	19APR2011	HMR	MM



NOTES

- 1 PART SHALL BE FREE AND CLEAN OF BURRS AND OTHER FOREIGN MATERIAL
- 2 PACKAGING: QUANTITY 3 PIECES
- 3 VARNISHING INSIDE HOUSING NOT REQUIRED

OBSOLETE

QTY	DESCRIPTION	MATERIAL	SURFACE	COLOR	ITEM	NOTES
1	O RING	NEOPRENE		BLACK	6	PG36
1	1 ADAPTOR	BRASS	NICKEL PLATED	BLUE	5	PG36
2	CLIP BOLT	STAINLESS STEEL	BLANK		4	
2	CLIP BOLT	STEEL	ZINC PLATED	BLUE	3	
1	HOOD HB-K	ALU	ALUMINIUM OXID	BLACK	2	
1	HOOD HB	ALU		GREY	1	
2-7	1-7	DESCRIPTION	MATERIAL	SURFACE	COLOR	ITEM
		HB.48.STS-GR.1.36.Z				
		HB-K.48.STS-GR.1.36.G				

THIS DRAWING IS A CONTROLLED DOCUMENT.

DWN R.SCHNEIDER 05AUG2008	CHK I.SCHNURPFIL 05AUG2008	APVD -	NAME HOOD HB.48
DIMENSIONS: mm		TOLERANCES UNLESS OTHERWISE SPECIFIED: 0 PLC ± 1 PLC ± 2 PLC ± 3 PLC ± 4 PLC ± ANGLES ±°	PRODUCT SPEC -
MATERIAL -		FINISH -	WEIGHT -
CUSTOMER DRAWING		SCALE 5:1	RESTRICTED TO -

STE TE Connectivity

SIZE A2 CAGE CODE 00779 DRAWING NO C-1102375 SHEET 1 OF 1 REV B