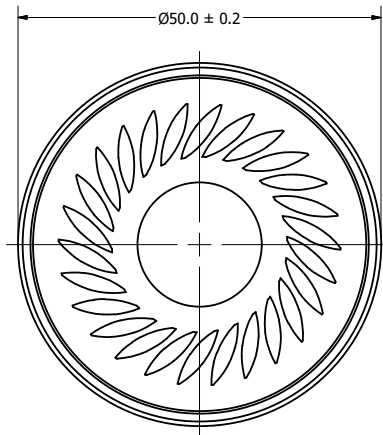


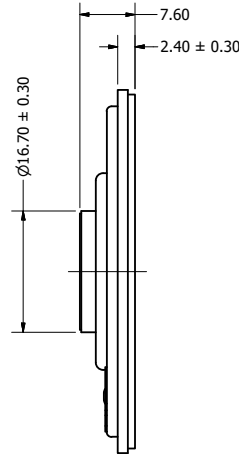
Part Number:	<b>SM500308-1</b>	
DESCRIPTION:	Dynamic Speaker	
DRAWN	CJ	6/14/2016
CHECKED	P.D.	6/14/2016
APPROVED	J.S.	6/14/2016

This document contains data proprietary to DB Unlimited. Any use or reproduction, in any form, without prior written permission of DB Unlimited is prohibited. All terms and conditions can be found at [www.dbunlimitedco.com](http://www.dbunlimitedco.com)

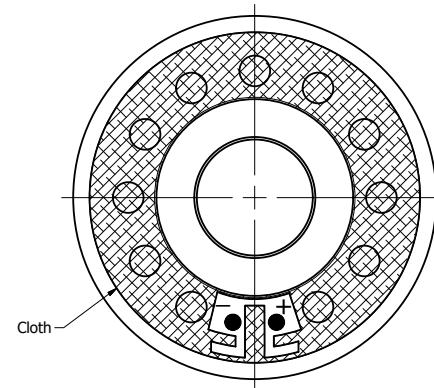
Top View



Side View



Bottom View



Items	Specifications	Conditions	REVISION HISTORY			
Sound Pressure Level	92	dB (@ 10cm)	REV	DESCRIPTION	DATE	APPROVED
Resonant Frequency	350	Hz	1	Released from Engineering	2/8/2014	J.S.
Frequency Range	350 ~ 20,000	Hz	2	Updated to new template	6/14/2016	J.S.
Nominal Power	1	W		Corrected released from engineering information	11/7/2017	C.E.
Max. Power	1.5	W				
Impedance	8	Ω				
Cone Material	Mylar		NOTES			
Mount Type	Flush Mount		1) All dimensions are in mm unless otherwise noted			
Storage Temperature	-30 ~ +60	°C	2) All tolerances are ± 0.5 mm unless otherwise noted			
Operating Temperature	-30 ~ +60	°C	3) All parts meet RoHS			
Weight	13.2	g	4) Subject to change or redrawn without notice			