



MINI COMPRESSION LOCK



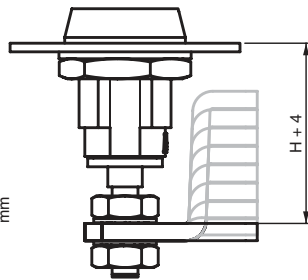
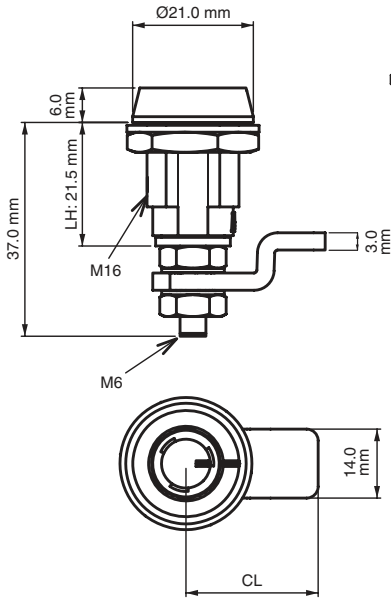
*Example with cam. Cam sold separately.

Specifications

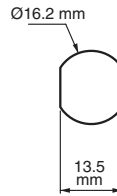
- Material:
 - Housing: Zinc Alloy (Zamak) DIN-EN 1774-ZnAl4Cu1
 - Driver: Zinc Alloy (Zamak) DIN-EN 1774-ZnAl4Cu1
 - Knob: PA6 GFR 30
 - Cam: Steel
 - Gasket: Rubber
 - Finish: Chrome or black coated
- 4 mm compression ratio

Features

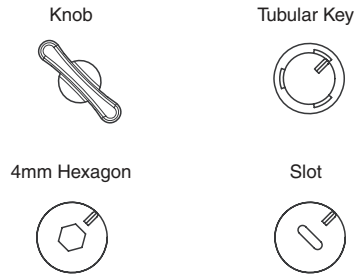
- Used for enclosures that require better sealing under vibrating conditions
- Provides noise isolation
- Driver and cam alternatives available
- Applications: Electric panels, machinery covers, railway applications, construction equipment



Cut Out



Drivers



Dust Cap



Specifications

- Order separately
- Material: Polyurethane

Item Number

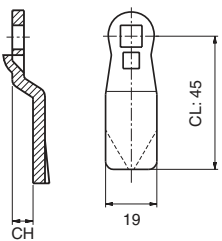
140A1

| Item Number | | Driver | Cam |
|---------------------|--------------------|-------------|------------------|
| Zinc Alloy / Chrome | Zinc Alloy / Black | | |
| 140116400 | 140126400 | 4mm Hexagon | Select Cam Below |
| 140119300 | 140129300 | Tubular key | Select Cam Below |
| 140119400 | 140129400 | Knob | Select Cam Below |



Material: Steel
Finish: Zinc plated
Thickness: 4 mm

Steel Cam



| Item Number | CL | CH | H min | H max |
|-------------|------|------|-------|-------|
| 30400606 | 0.0 | 23.0 | 26.2 | 29.4 |
| 30400607 | 1.0 | 23.0 | 25.2 | 28.4 |
| 30400608 | 3.8 | 23.0 | 22.4 | 25.6 |
| 30400609 | 7.0 | 23.0 | 19.2 | 22.4 |
| 30400610 | 10.2 | 23.0 | 16.0 | 19.2 |
| 30400611 | 13.4 | 23.0 | 12.8 | 16.0 |
| 30400612 | 16.6 | 23.0 | 9.6 | 12.8 |
| 30400613 | 19.8 | 23.0 | 6.4 | 9.6 |
| 30400614 | 23.0 | 23.0 | 3.2 | 6.4 |