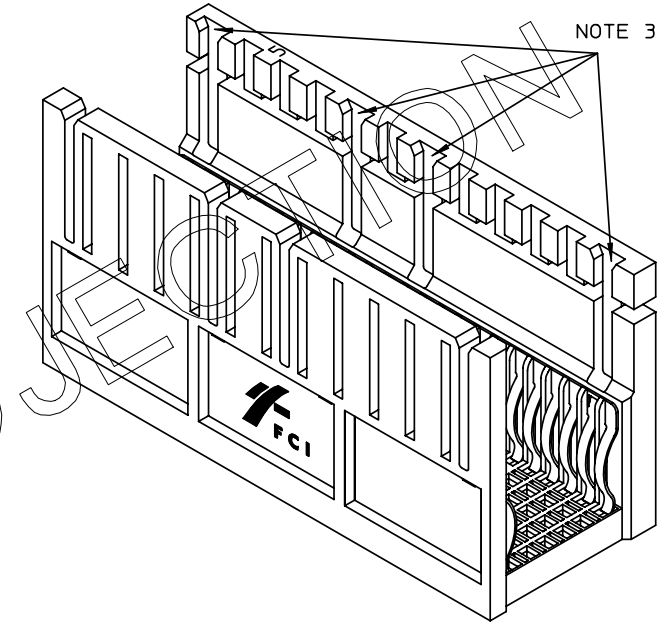
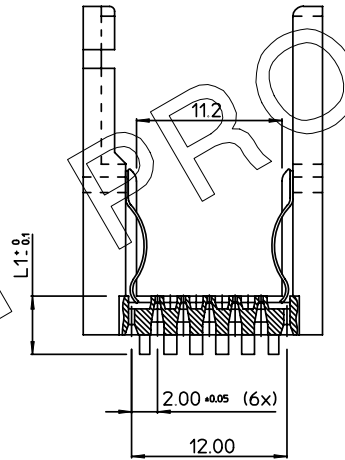
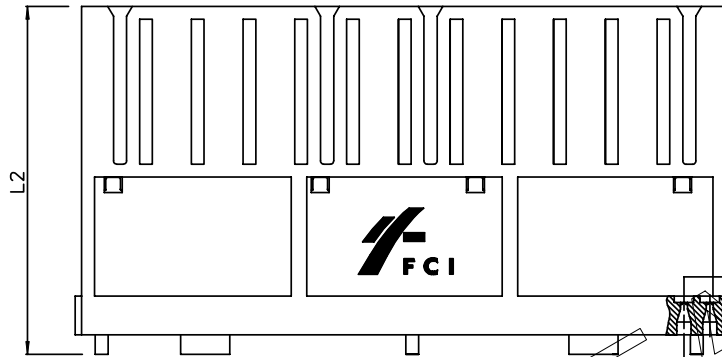
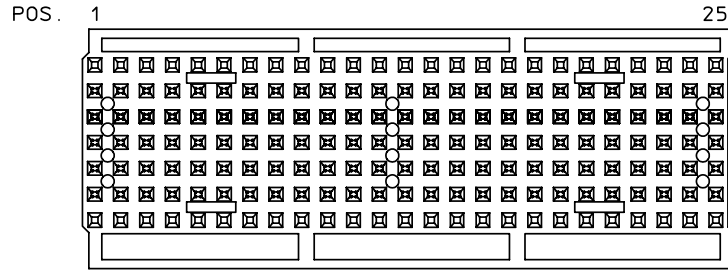
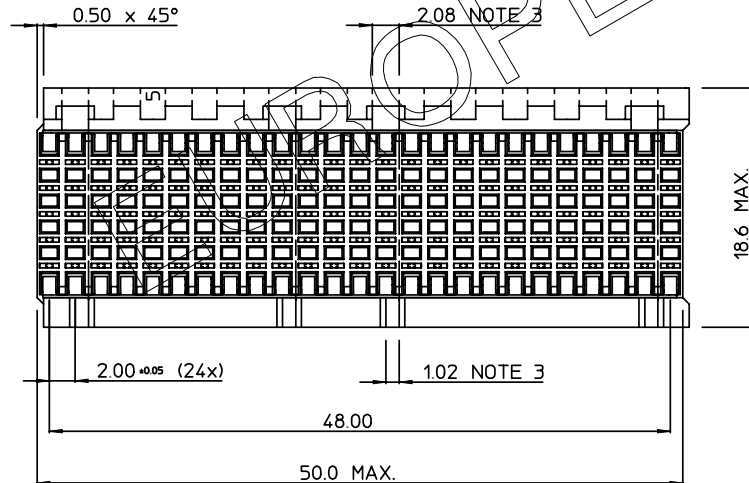


GEN. ST.	01	02	03	04	05	06	07	08	0D	50	60	70	80	90																	
INT. ST.	10	11	12	13	14	18	20	31	32	33	34	38	39	40	42	43	44	45	46	48	56	70	72	73	75	76	81	82	83	84	88

REV.	DATE	DESCRIPTION	BY	C'K'D'
A	2003-01-21	CONVERSION REVISION OE	KN	
B	2006-08-03	106-0119	VIVEK	BKP



PART NR.	L1	L2
HM2H**P16	3.0	25.4
HM2H**P1096	3.9	26.3
HM2H**P1116	4.1	26.5
HM2H**P1156	4.5	26.9
HM2H**P1196	4.9	27.3



NOTES :

- MATERIAL: HOUSING : GLASSREINFORCED POLYESTER UL94-V0  
SPRING CONTACTS : COPPER ALLOY
- PLATING : 2.5 - 6.4 μ SnPb (90/10) OVER 1.2 - 3.8 μ Ni.
- LOCATIONS OF SLOTS TO BE DEFINED BY CUSTOMER. AS EXAMPLE THE SHROUD TYPE HM2H26P1--6 IS DRAWN WITH DISCRIMINATION - POLARISATION SLOTS IN POSITIONS 2, 10, 14 AND 24.

1DEC ± 0,2 2DEC ± 0,1 ANGLES ± 1°	<b>APPR.</b> DRAFT CHECKED	<b>DATE</b> 1995-09-07	<b>SIGN.</b> G.Droesbeke	MRV SHROUD 50 MM / SHIELDED <b>CAT. No.</b> HM2H**P1--6	<b>SCALE</b> 2.5/1
WE RESERVE THE RIGHT TO CHANGE DIMENSIONS OR REQUIREMENTS WITHOUT PRIOR NOTICE.	PROD. MGR. PR. ENG. MGR. PR. MGT. MGR.			<b>FCI</b> www.fciconnect.com	
ALL DIMENSIONS IN MM	<b>REFERENCES</b>			BS,C ,201995,002 DRAWING No.	B REVISION

THIS IS OUR EXCLUSIVE PROPERTY. IT IS NOT TO BE COPIED, REPRINTED OR DISCLOSED TO A THIRD PARTY, NOR USED FOR MANUFACTURING WITHOUT OUR WRITTEN CONSENT, AND HAS TO BE RETURNED TO US IN CASE OF NO USAGE

DIT IS ONZE EIGENDOM EN MAG NIET NAGEMAAKT, HERDRUKT, OVERGEMAAKT AAN DERDEN, NOCH VOOR FABRIKATIE GEBRUIKT WORDEN, ZONDER ONZE SCHRIFTELIJKE TOELATING. BIJ NIET GEBRUIK IS TERUGZENDING VERPLICHT.