

NOTES:

1.0 ELECTRICAL SPECIFICATIONS

1.1 FREQUENCY RANGE: DC TO 18.0 GHz

1.2 MAXIMUM INPUT POWER:

2 WATTS AVG AT +25°C DERATED LINEARLY TO 0.5 WATTS AT +125°C.

1.3 OPERATING TEMPERATURE RANGE: -55°C TO +125°C

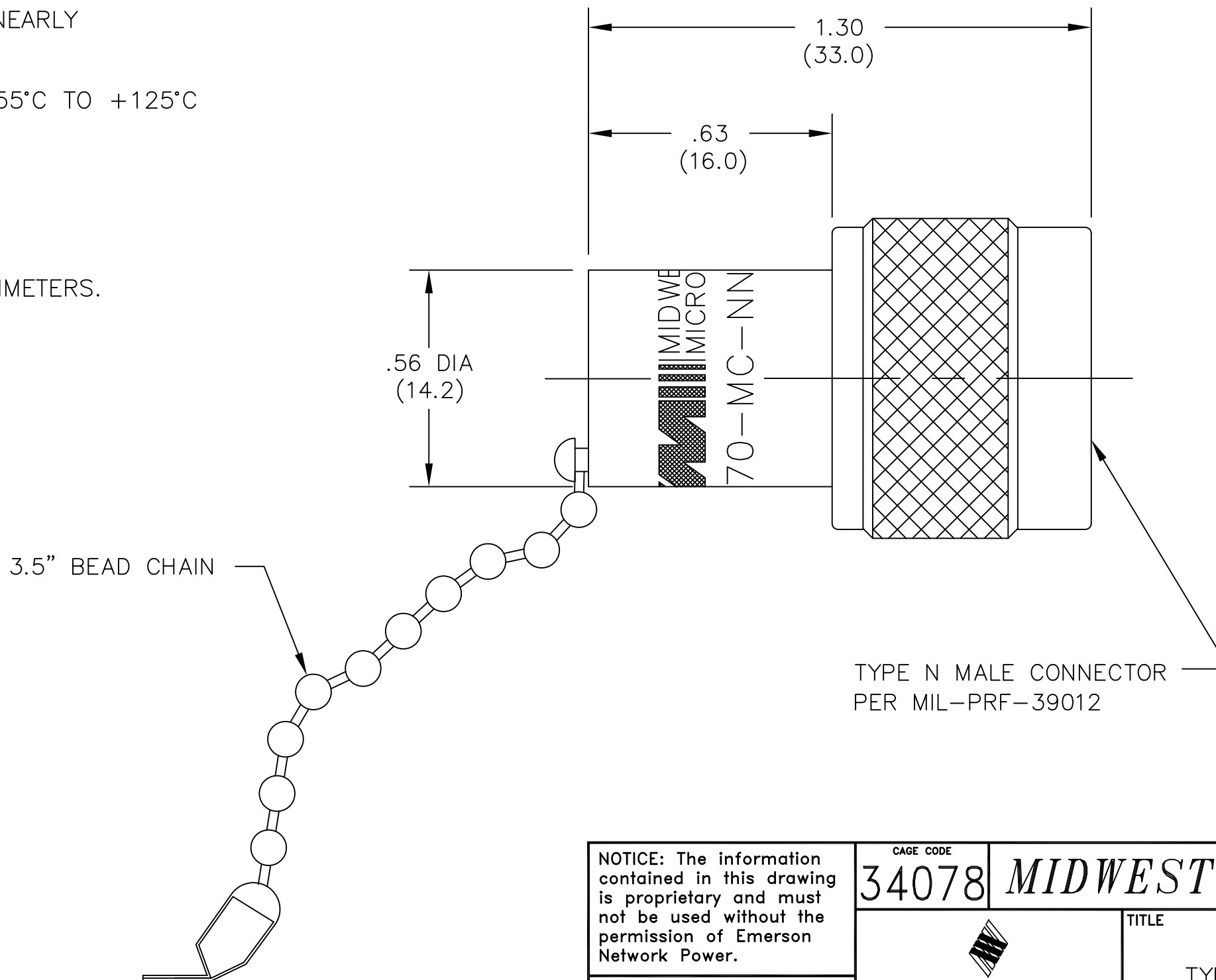
1.4 IMPEDANCE: 50 OHMS.

1.5 VSWR: 1.25:1 MAX.

2.0 MARKING

2.1 MARK UNIT AS SHOWN:

3.0 DIMENSIONS IN PARENTHESIS ARE MILLIMETERS.



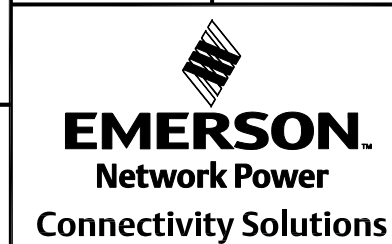
TYPE N MALE CONNECTOR  
PER MIL-PRF-39012

DWG. WAS: 02712-01-00

NOTICE: The information contained in this drawing is proprietary and must not be used without the permission of Emerson Network Power.

UNLESS OTHERWISE NOTED DIMENSIONS ARE IN INCHES AND TOLERANCES ARE:  
3 PLACE DECIMALS ±.005  
2 PLACE DECIMALS ±.02  
FRACTIONS ±1/64  
PARALLELITY: T.I.R. \_\_\_\_\_  
FLATNESS: T.I.R. \_\_\_\_\_  
CONCENTRICITY: T.I.R. \_\_\_\_\_  
ANGLES AND PERPENDICULARITY: ±1'

CAGE CODE  
**34078** *MIDWEST MICROWAVE*



TITLE  
TYPE N TERMINATION  
OUTLINE DRAWING

DRAWN/DATE  
M.HOLLMAN  
8/21/92

ENG./DATE  
G.KOZAK  
9/21/92

DRAWING NUMBER  
TRM-2070-MC-NNN-07-01

REV.  
J

CHECKED/DATE  
A.BEATTY  
9/10/92

APPROVED/DATE

SCALE: 5=1 SHEET 1 of 1

REV.	DESCRIPTION	DATE
-	RELEASED	9/21/92
A	ECR 6545	6/30/89
B	ECR 7129	2/23/90
C	ECR 10356	4/19/91
D	ECN 10759	7/10/91
E	REDRAW ON CAD	8/21/92
E1	ADDED TITLEBLOCK	10/27/05
J	ECO 23408	3/23/11