

MATERIALS AND FINISHES:

BODY, OUTER CONTACT, RETAINING WASHER,
AND FERRULE: BRASS
PLATED NICKEL

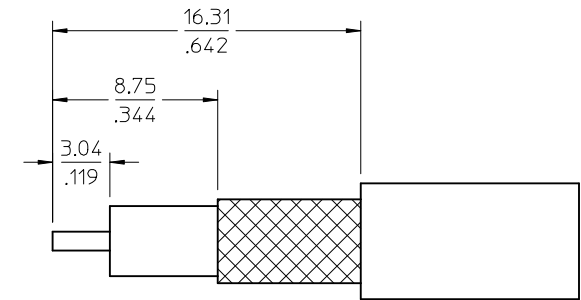
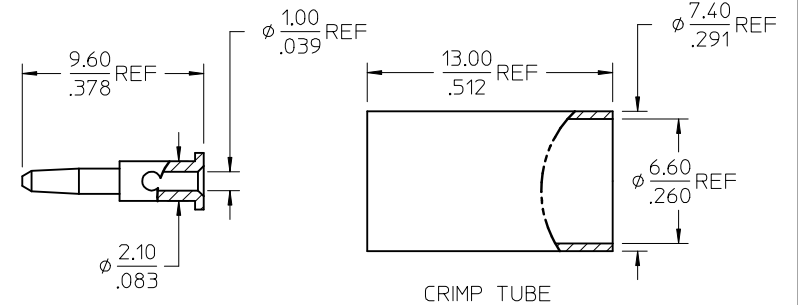
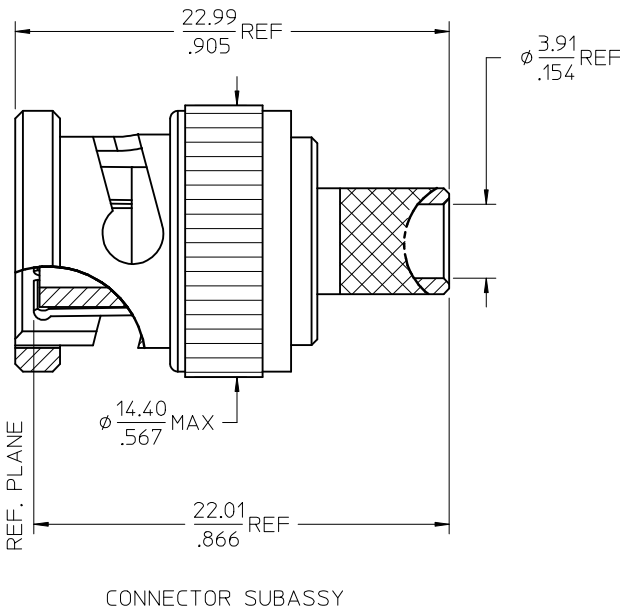
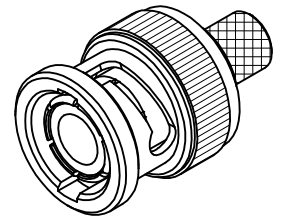
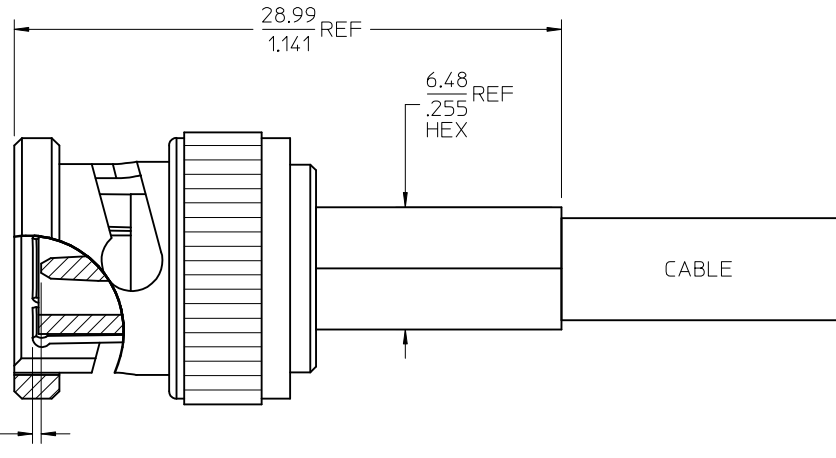
COUPLING NUT: ZINC ALLOY
PLATED NICKEL

CENTER CONTACT: BRASS
PLATED GOLD

SPRING WASHER: BERYLLIUM COPPER
PLATED NICKEL

INSULATOR: POLYPROPYLENE

GASKET: SILICONE RUBBER



PART # 73105-5003
PACKAGED INDIVIDUALLY

PS-89675-1030	PRODUCT SPEC.
SPECIFICATION	DESCRIPTION

RECOMMENDED CABLE STRIP

<p>CHG: ADDED CABLE STRIP AND CABLE STRIP INTERFACE CUTAWAY DELETE AS PS WAS PS-73598-0024</p> <p>EC NO: URF2014-0056</p> <p>DRWN: JWIENER 2013/07/24</p> <p>CHKD: SSS 2013/07/24</p> <p>APPR: JWIENER 2013/07/29</p>	<p>QUALITY SYMBOLS</p> <p>◻=0</p> <p>◻=0</p>	GENERAL TOLERANCES (UNLESS SPECIFIED)		DIMENSION STYLE	SCALE	DESIGN UNITS	THIRD ANGLE PROJECTION	
				MM/IN				
				DRAWN BY	DATE	TITLE		
				CHECKED BY	DATE	BNC PLUG, STRAIGHT, CRIMP/CRIMP NON CAPTIVE RG59B/U, RG62A/U		
		APPROVED BY		DATE	MOLEX INCORPORATED			
		MATERIAL NO.		DOCUMENT NO.	SHEET NO.			
		731055003		SD-73105-5003	1 OF 1			
		DRAFT WHERE APPLICABLE MUST REMAIN WITHIN DIMENSIONS						
		THIS DRAWING CONTAINS INFORMATION THAT IS PROPRIETARY TO MOLEX INCORPORATED AND SHOULD NOT BE USED WITHOUT WRITTEN PERMISSION						