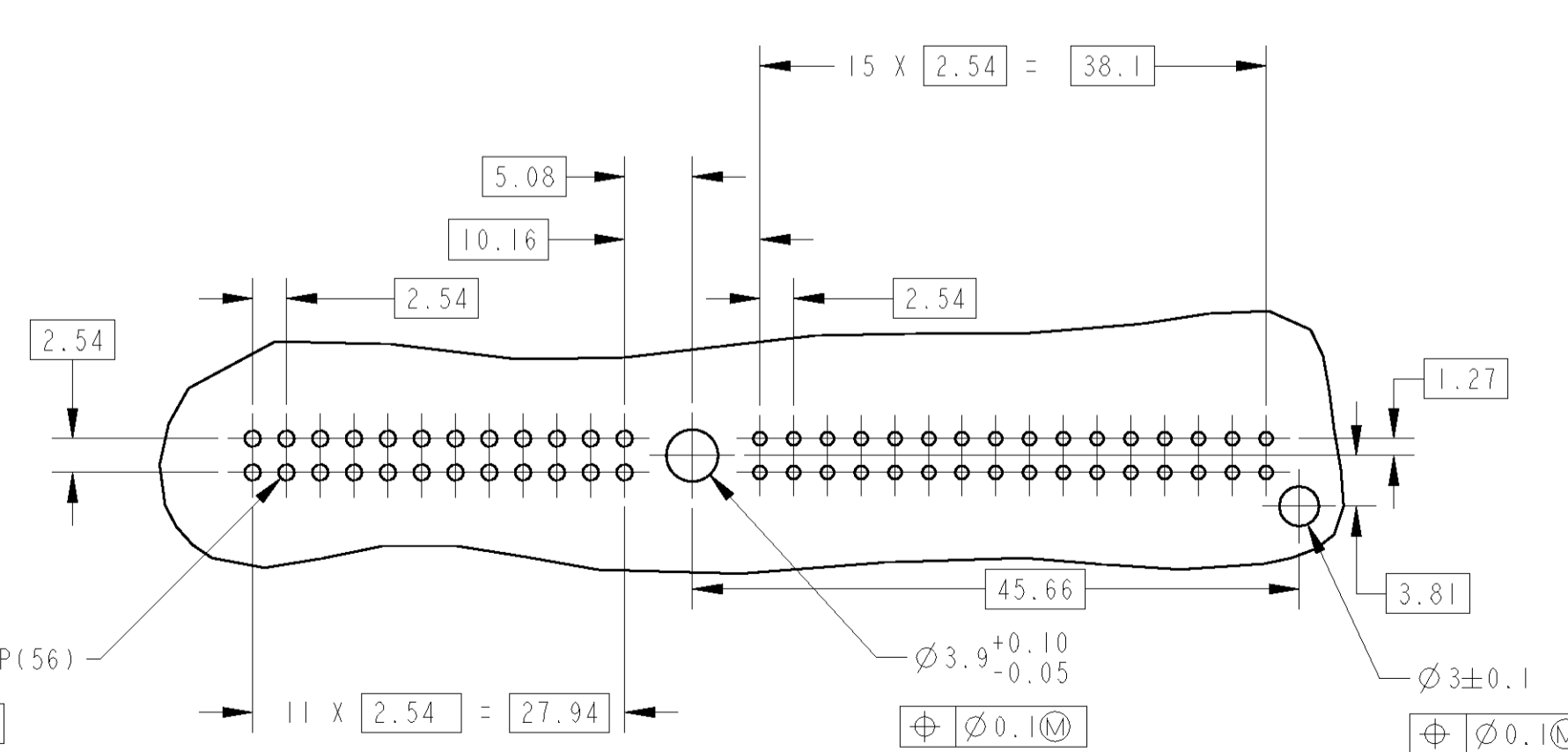
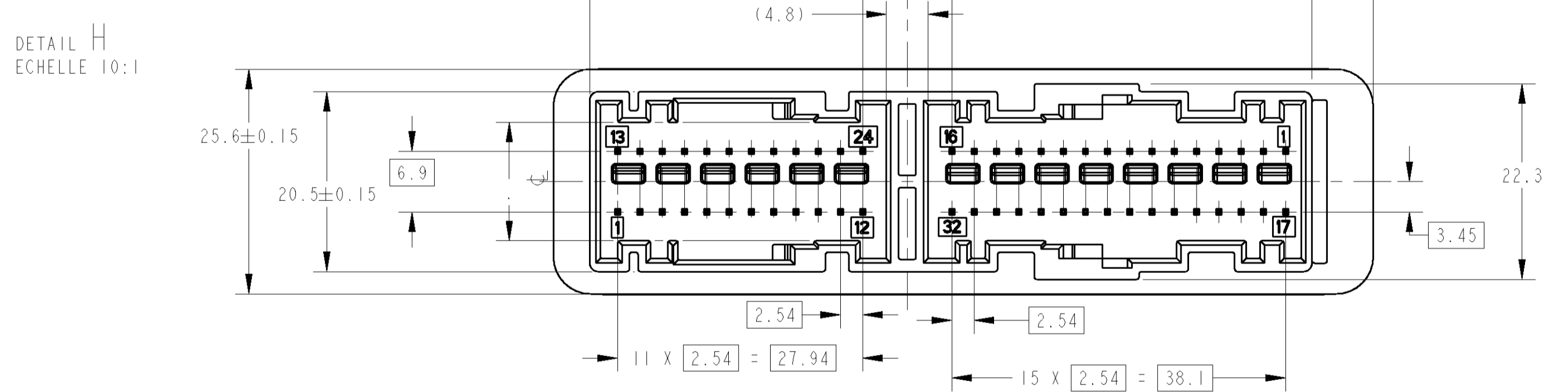
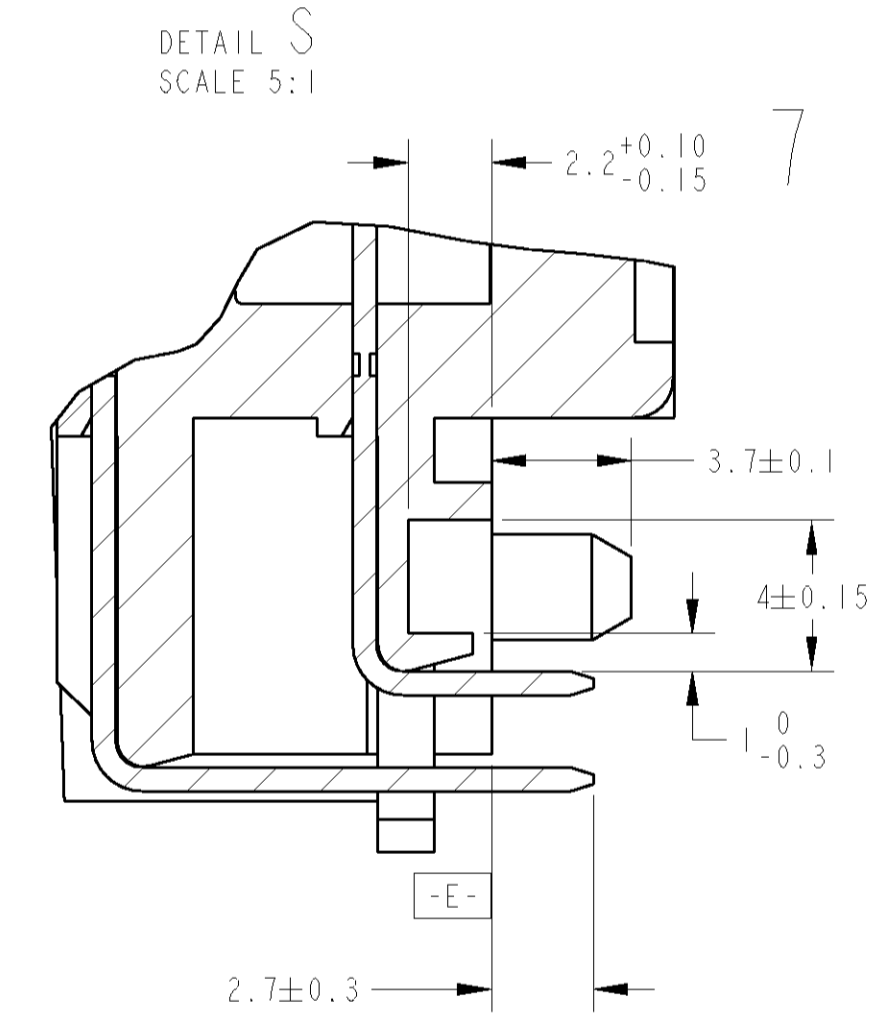
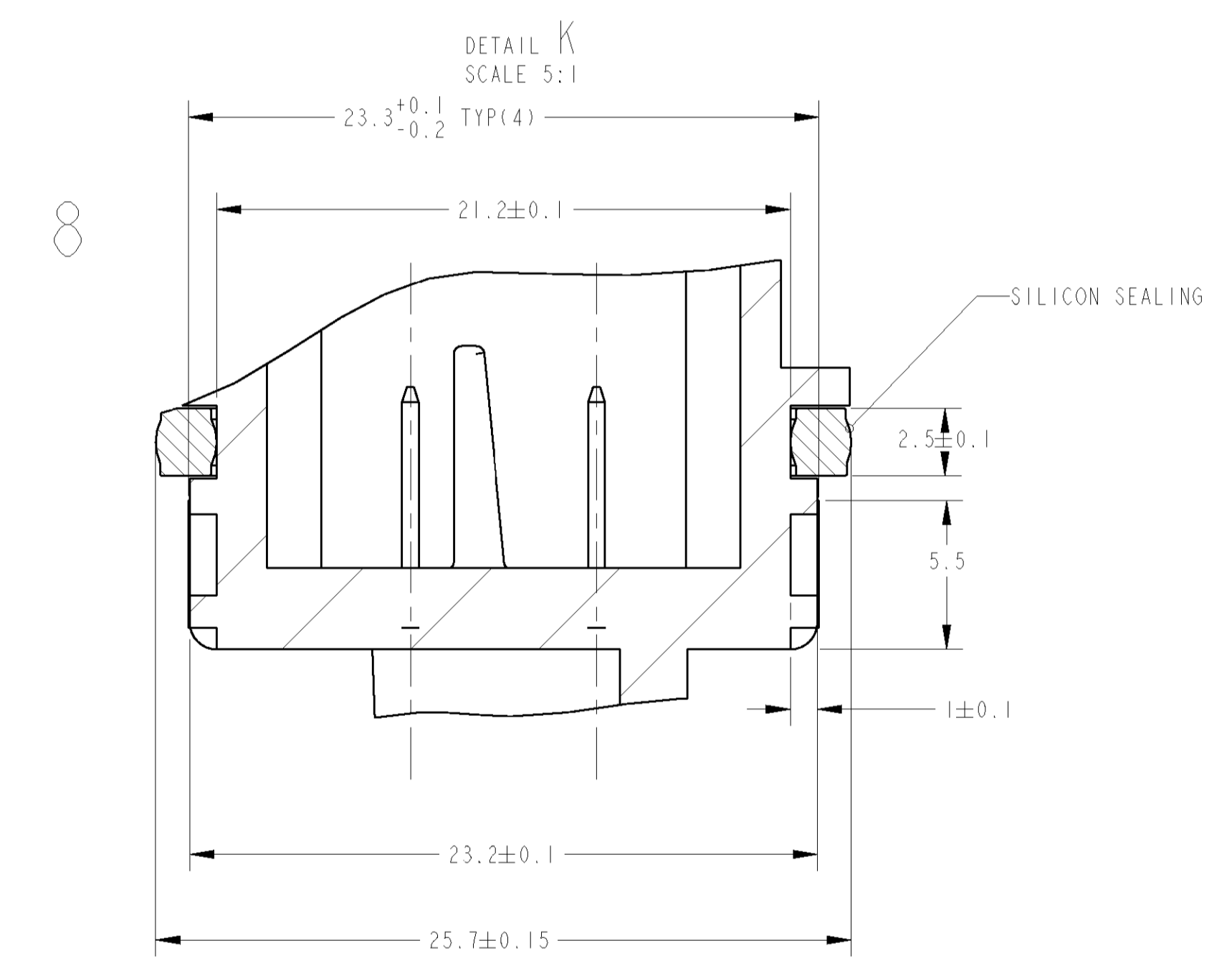
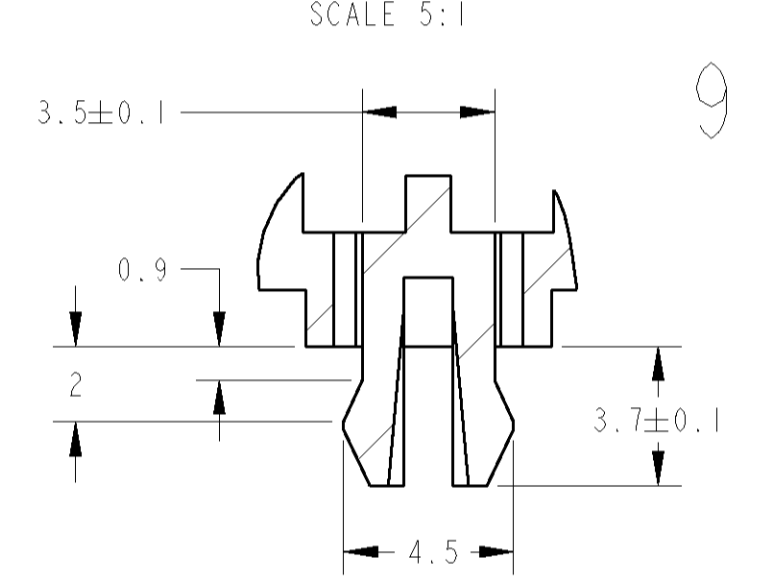
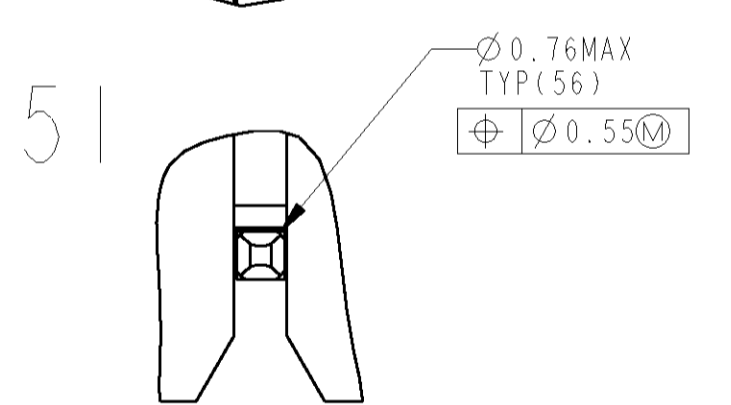
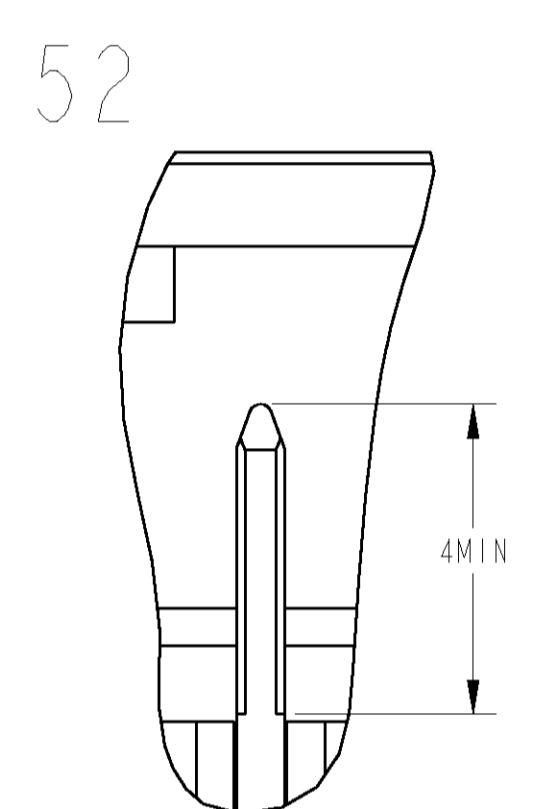
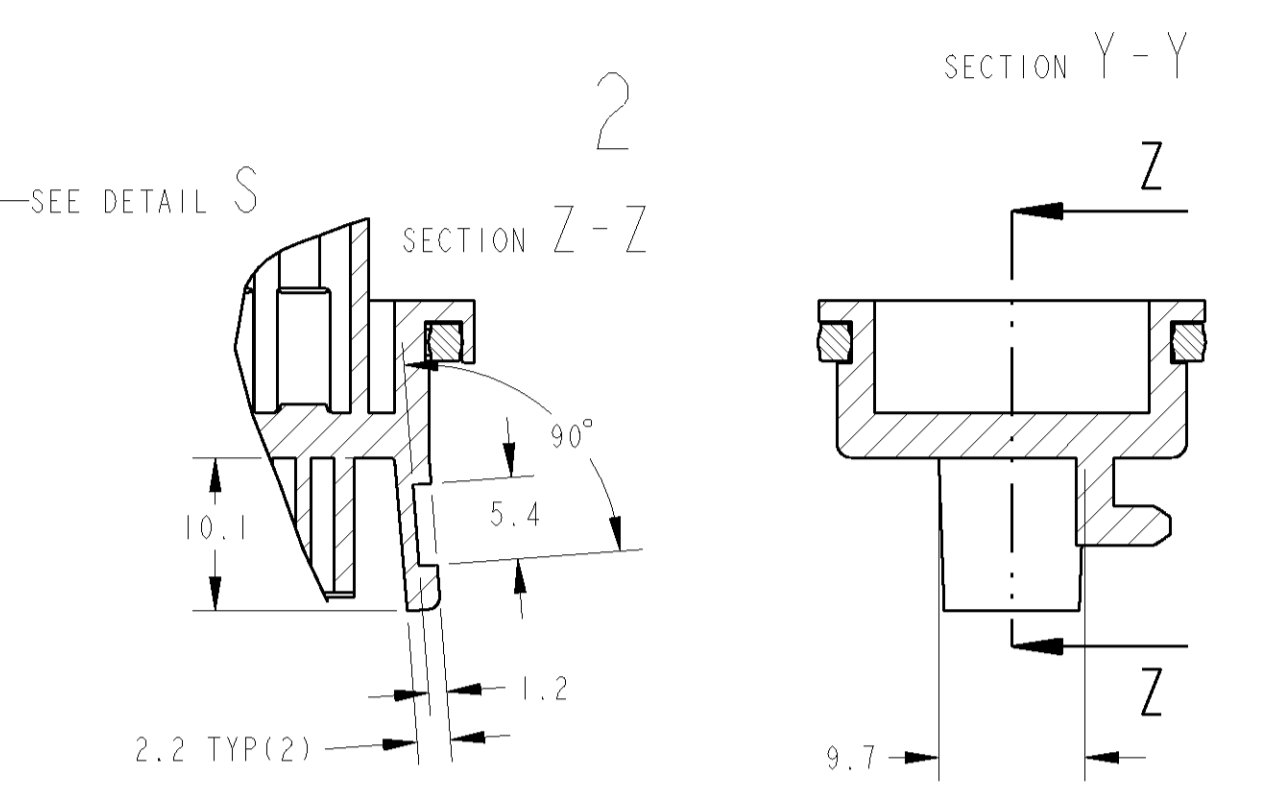
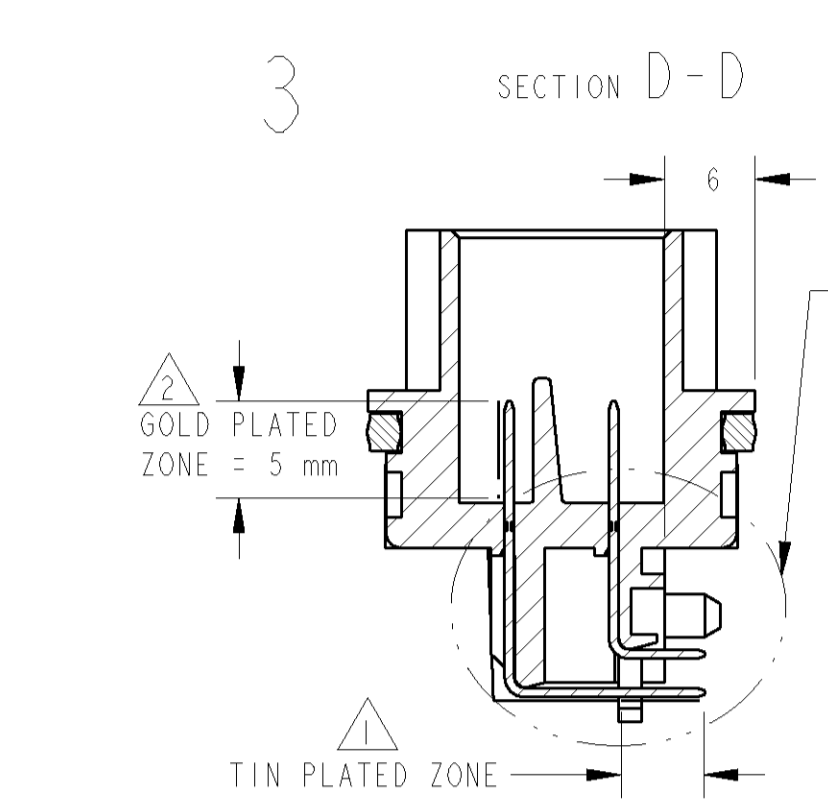
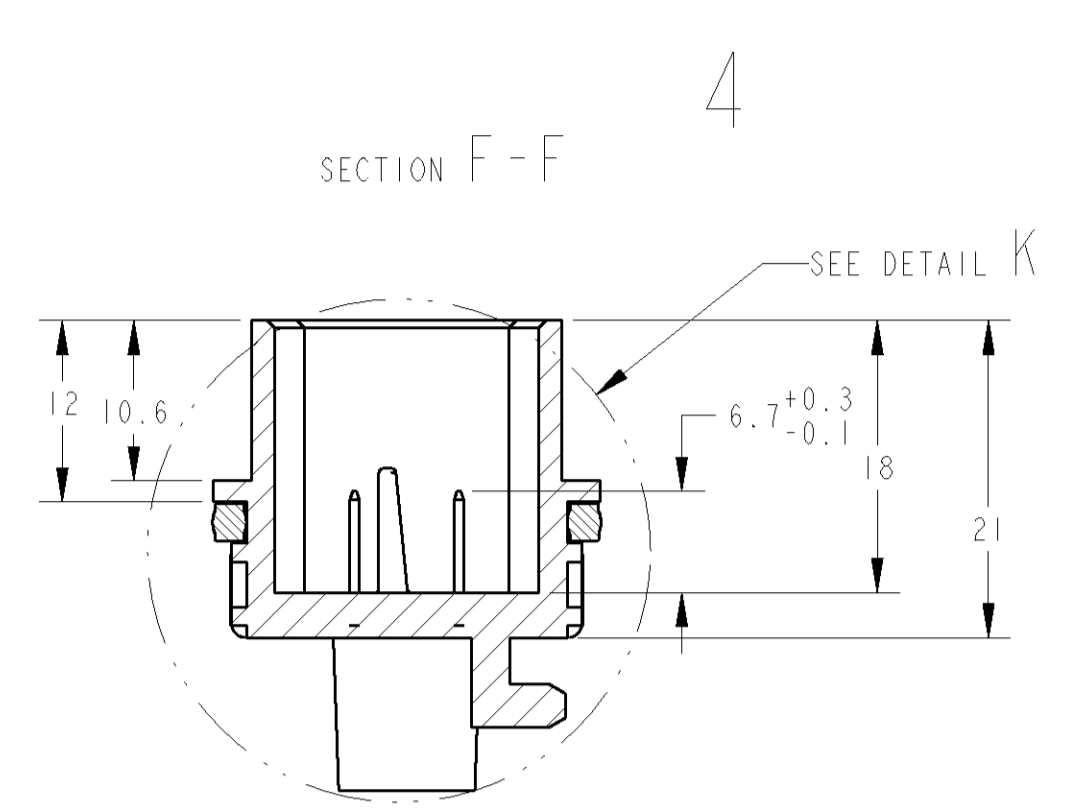
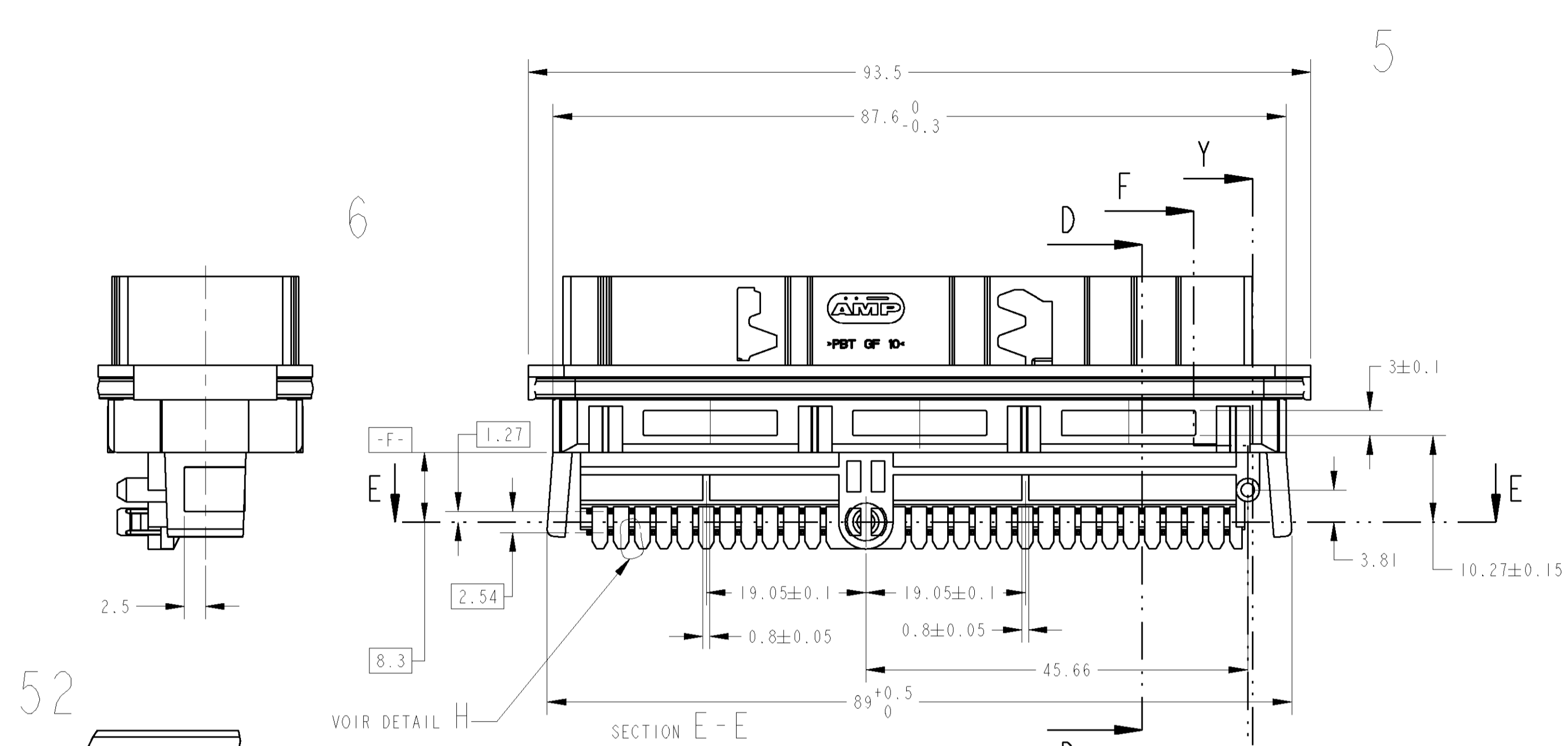


LOC	DIST	REVISIONS				
F	7	REV	DESCRIPTION	DATE	DWN	APVD
		A	UPDATE TOLERANCES	01-AUG-00	JLO	
		B	REMOVE LAST TIME	20-SEP-00	EM	JLO
		C	ROUND SHAPE OF PINS ON PCB SIDE	18-JUN-01	JLO	
		D	ADD THE NEW CODINGS 1379046-2/-3/-4/-5	31JUL2003	NT,N	J.L
		E	MAKE OFFICIAL THE P/NS 1379046-3/-4/-5	10-MAR-04	NT,N	J.L
		-	-	-	-	-
		-	-	-	-	-
		-	-	-	-	-

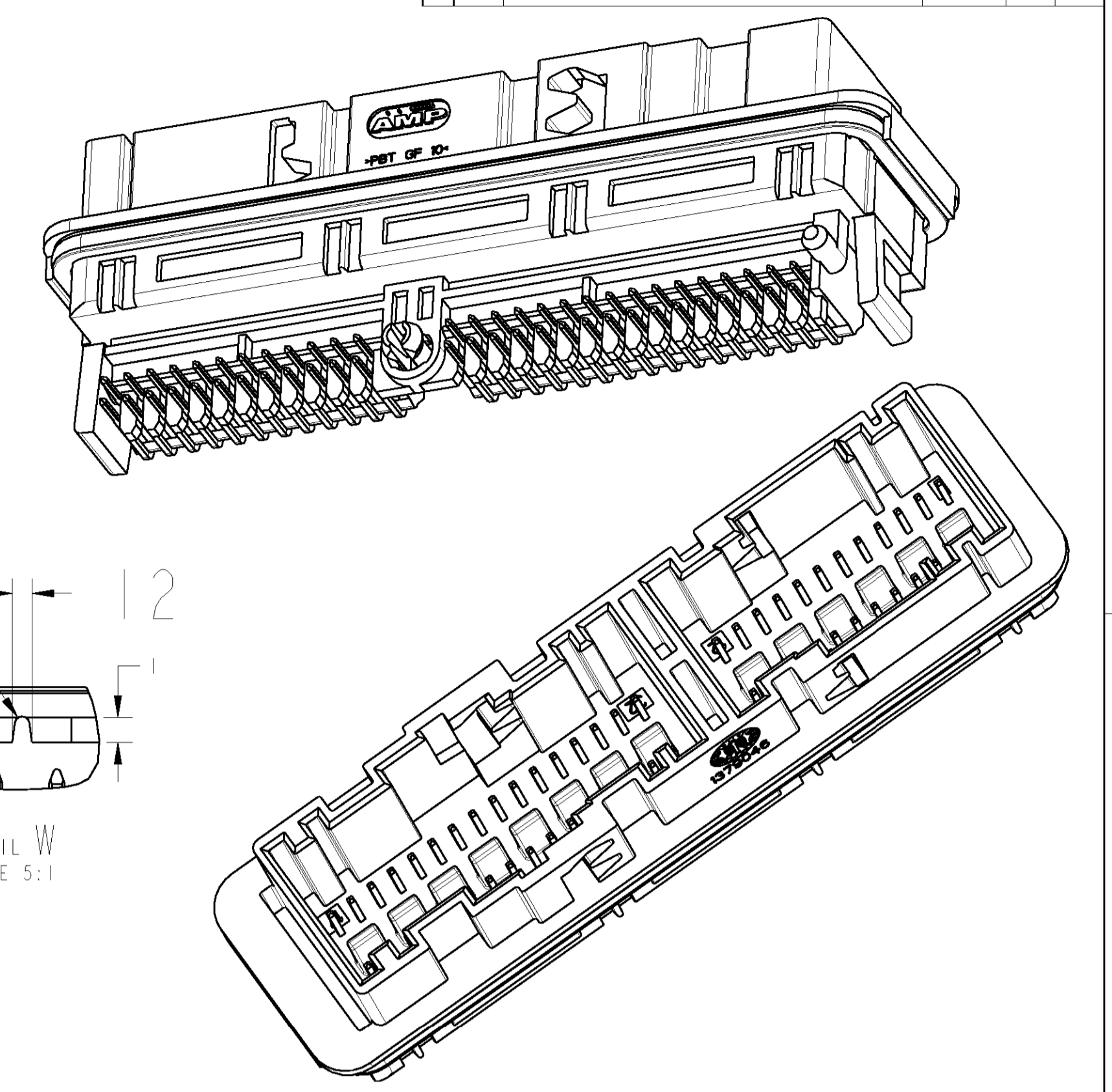
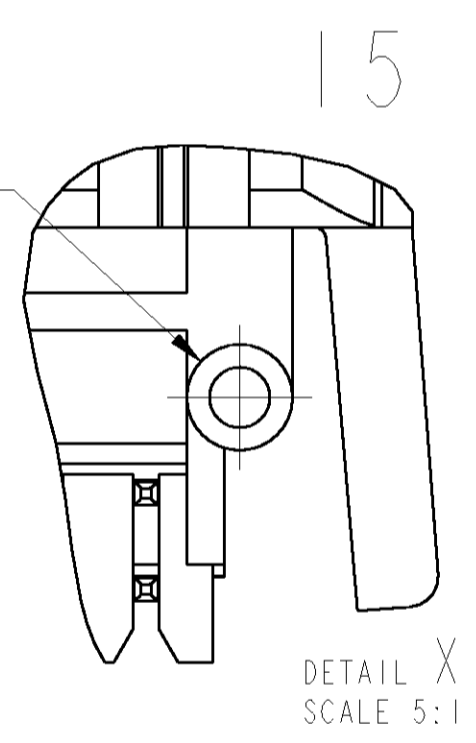
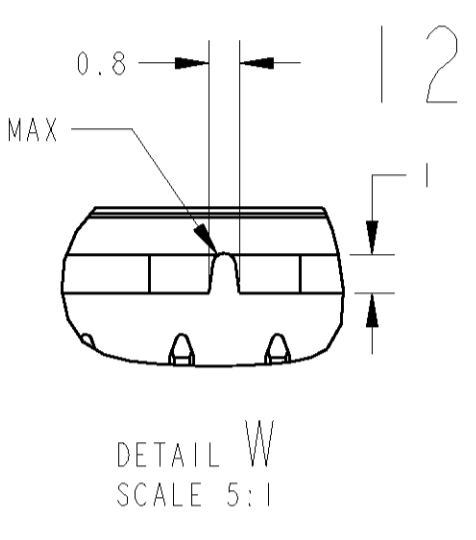
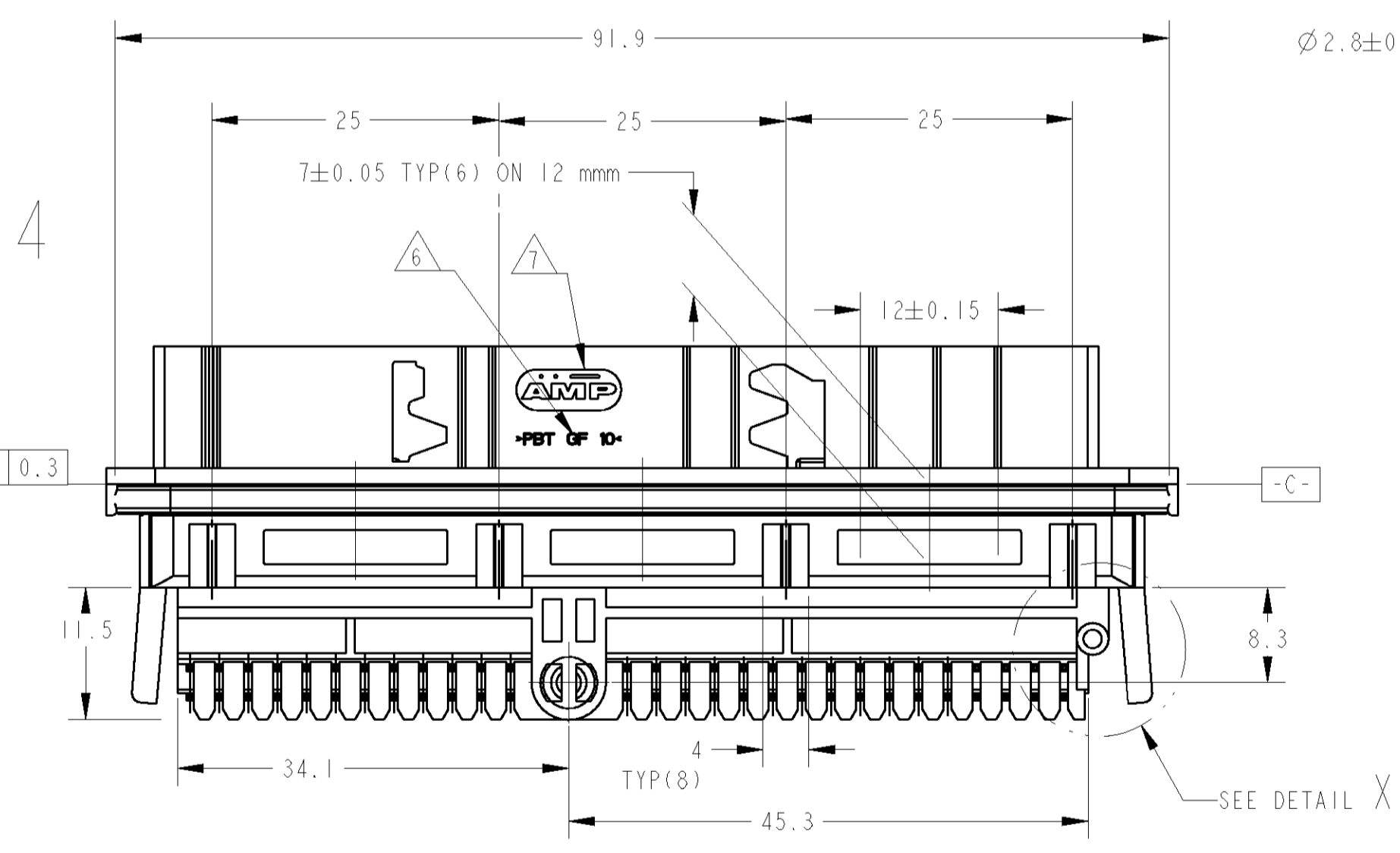
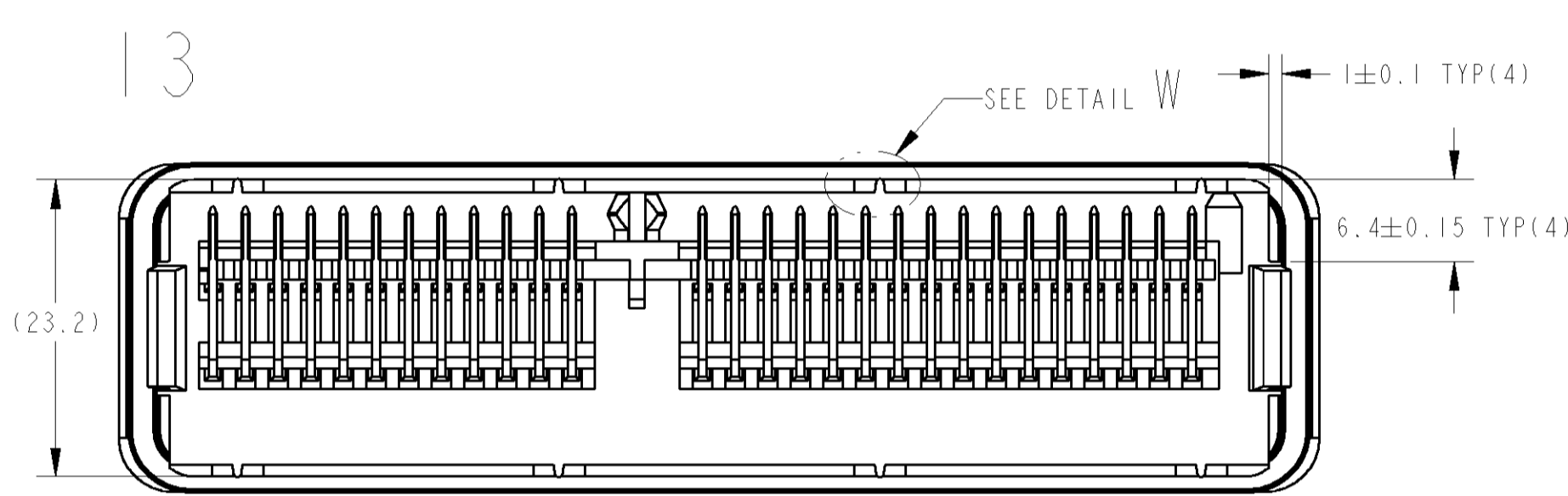
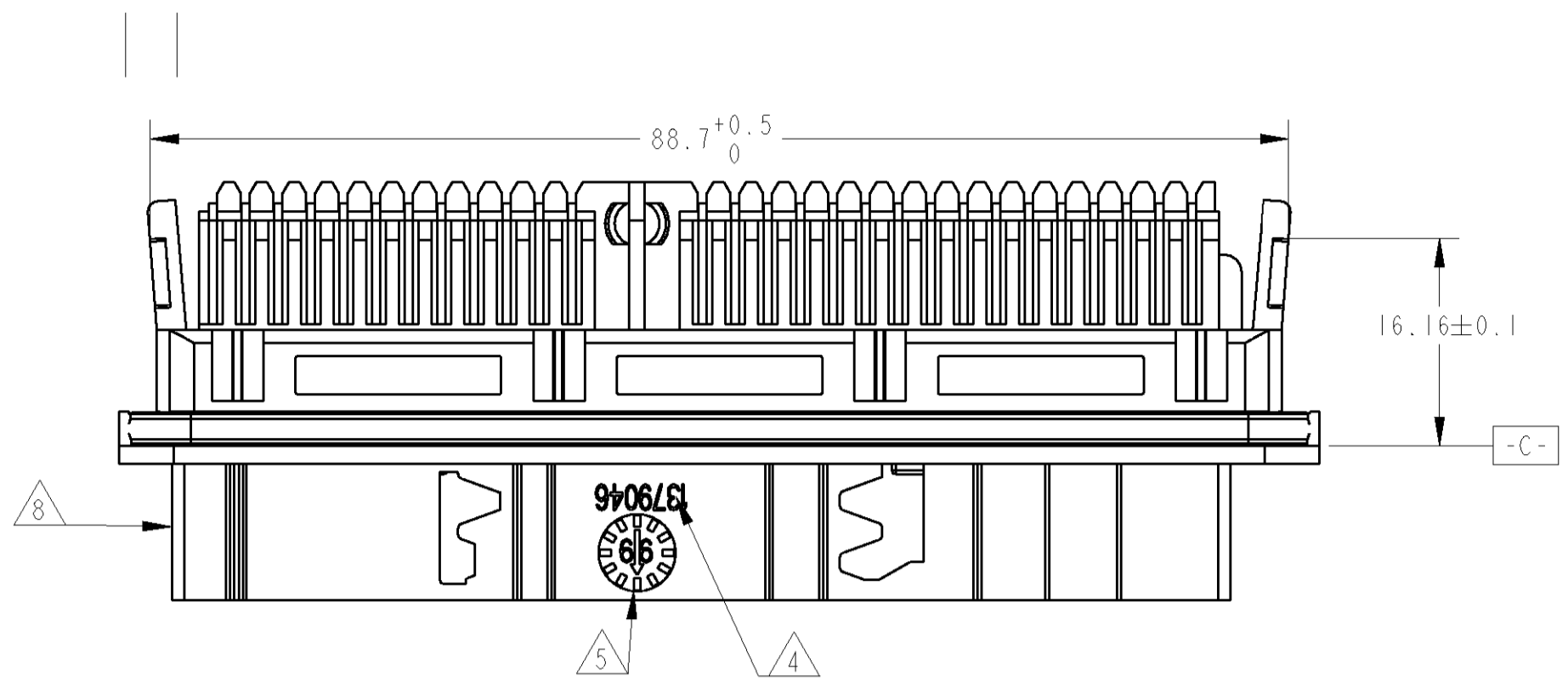
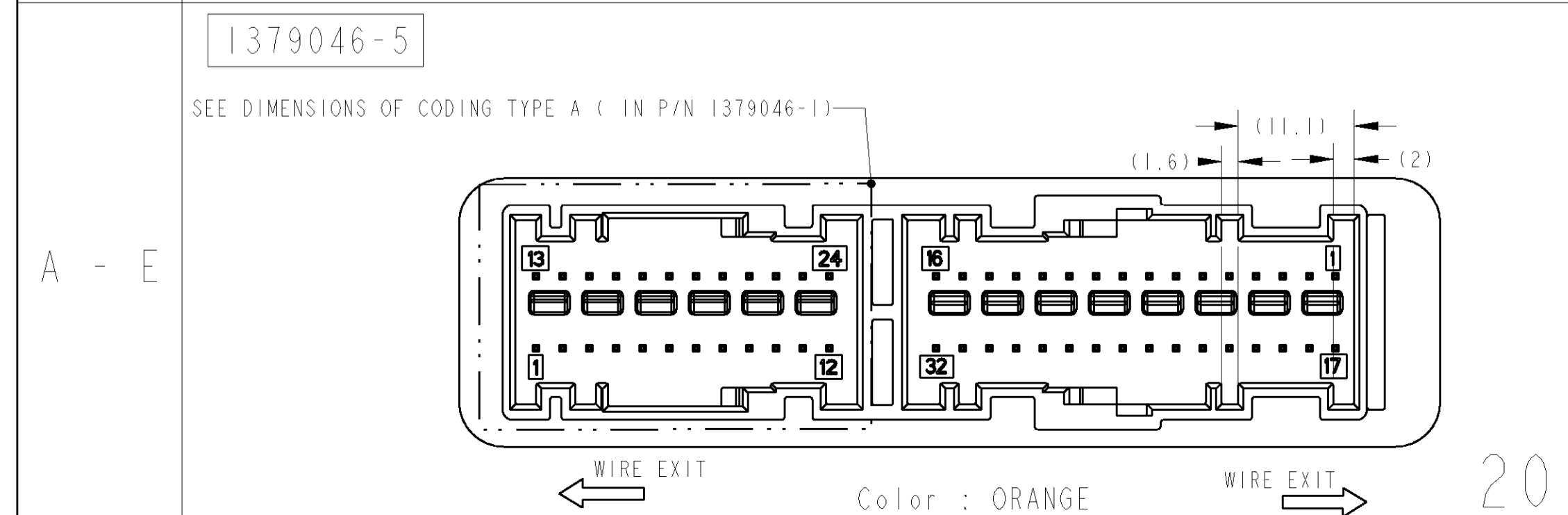
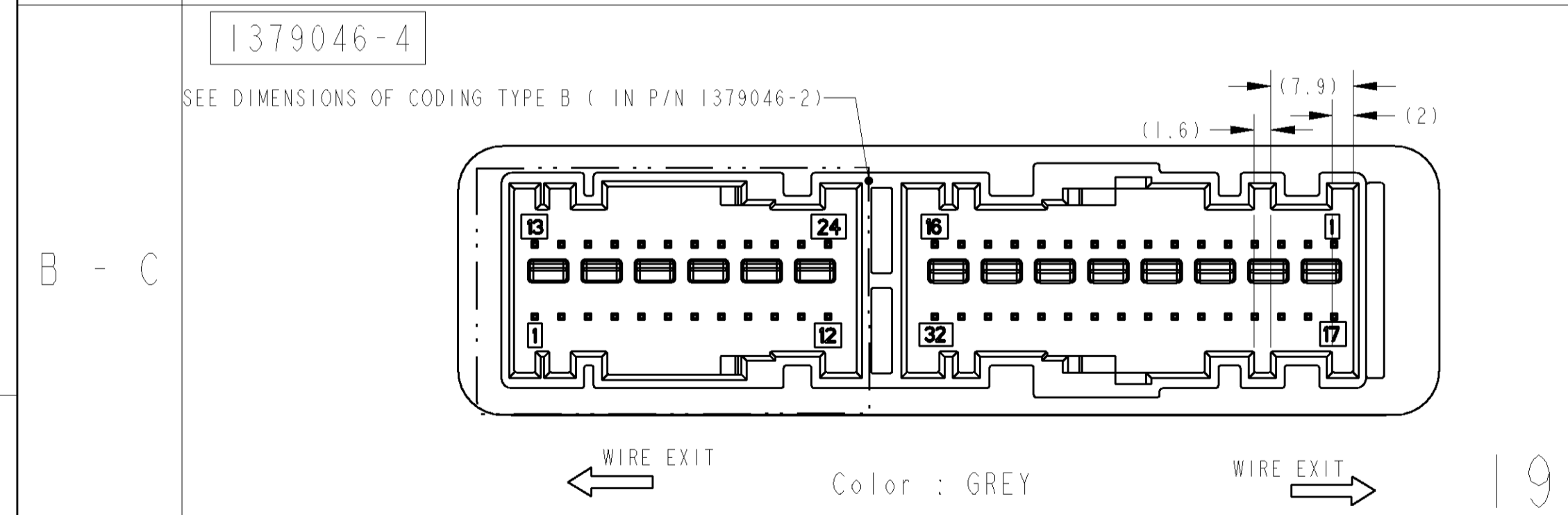
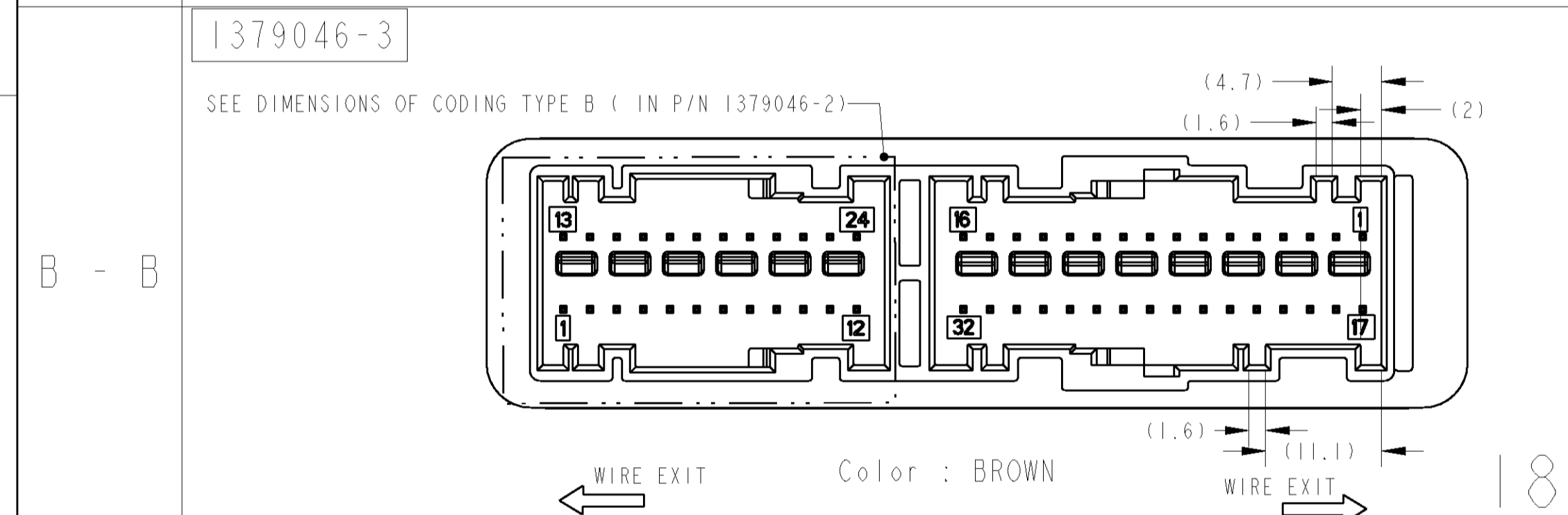
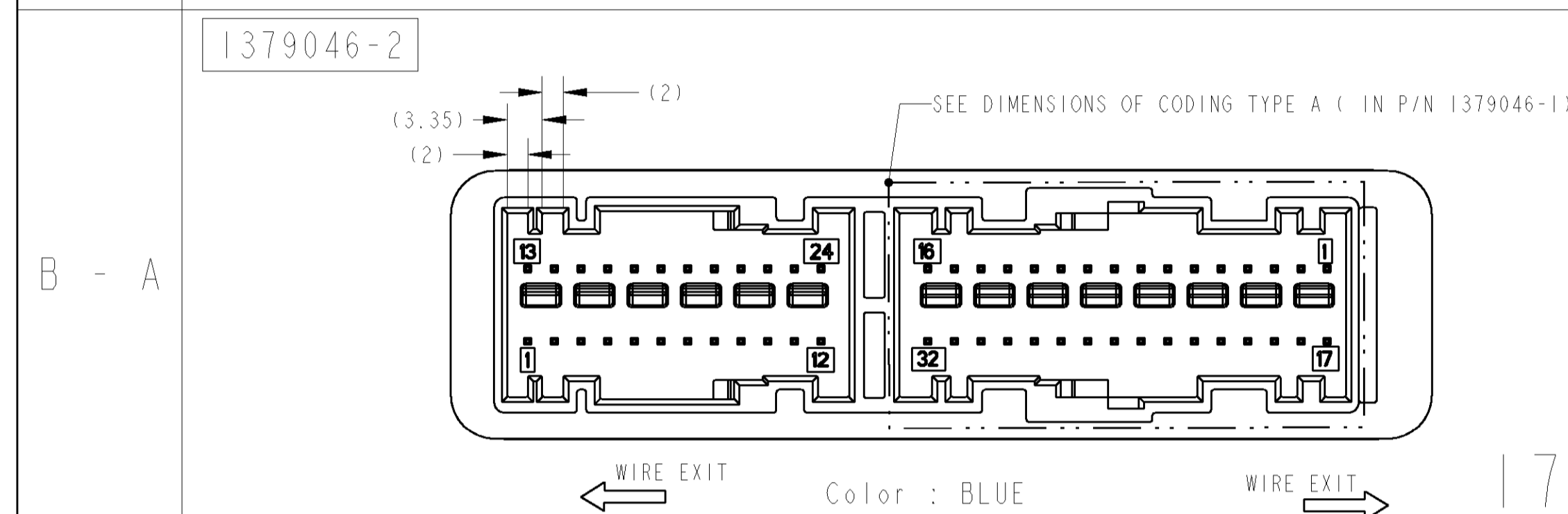
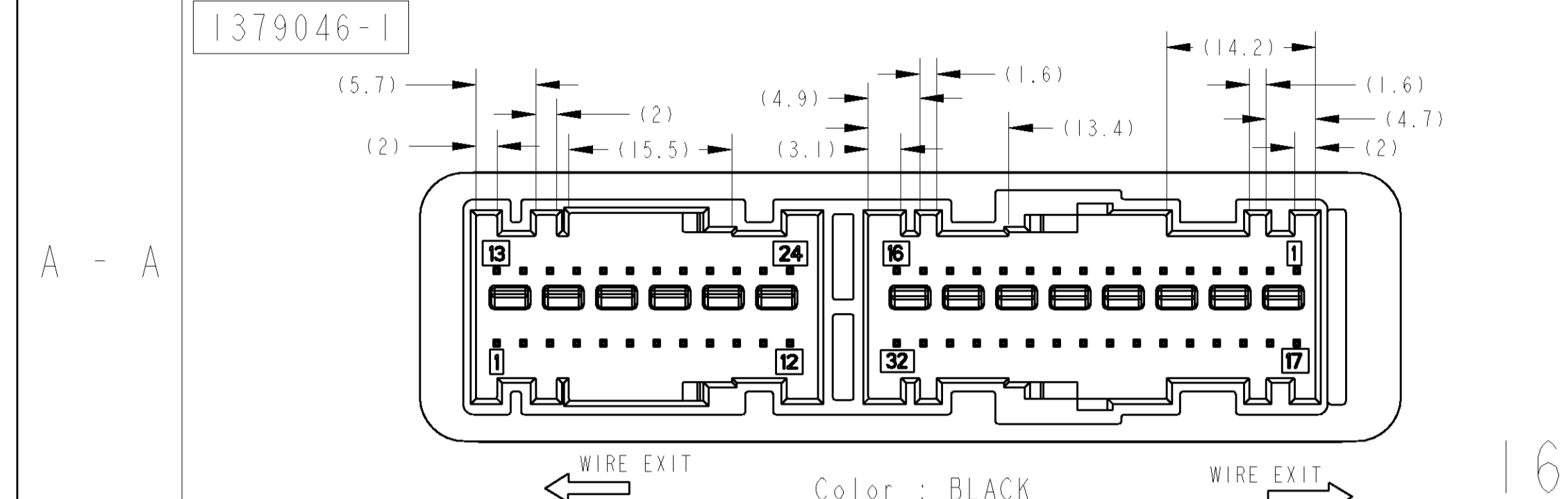


1379046-1 AS SHOWN

DIMENSIONS: mm 		TOLERANCES UNLESS OTHERWISE SPECIFIED: 0 PLC ±0.3 1 PLC ±0.2 2 PLC ±0.1 3 PLC ± 4 PLC ± ANGLES ±		DWN J. LAQUERBE 02-FEB-00 CDR J. LAQUERBE 28-APR-00 APVD J. REVILL 28-APR-00 PRODUCT SPEC 108-15312 APPLICATION SPEC WEIGHT 32.1g CUSTOMER DRAWING		NAME 24 + 32 W MOS RIGHT ANGLE HEADER SIZE CAGE CODE DRAWING NO. 00779 SCALE 2:1 SHEET 1 OF 2 REV E	
MATERIAL 		FINISH 		AMP DE FRANCE 95301 PONTOISE		RESTRICTED TO	

LOC	DIST	REV	DESCRIPTION	DATE	DWN	APPD
F	7		SEE SHEET 1			

CODE TYPE CODING



NOTES:

- 1 TIN PLATED 2.5µm MINI OVER NICKEL
- 2 GOLD PLATED 0.4µm MINI OVER NICKEL 1µm MINI
- 3 CONTACTS : BRONZE (CuSn6)
- 4 ASSY PART NUMBER : 1379046
- 5 HOUSING DATE CODE
- 6 MATERIAL REFERENCE : PBT GF 10
- 7 AMP LOGO
- 8 ASSY DATE CODE: DD M Y
- 9 MATERIAL FOR SEALING : 50±5 SHORE A

<small>THIS DRAWING IS UNPUBLISHED. RELEASED FOR PUBLICATION. ALL RIGHTS RESERVED.</small>		DWN J. LAQUERBE 02-FEB-00 CDR J. LAQUERBE 28-APR-00 APPD J. REVILL 28-APR-00	AMP DE FRANCE 95301 PONTOISE
DIMENSIONS: mm 		TOLERANCES UNLESS OTHERWISE SPECIFIED: 0 PLC ±0.3 1 PLC ±0.2 2 PLC ±0.1 3 PLC ± 4 PLC ± ANGLES ±	NAME: 24 + 32 W MOS RIGHT ANGLE HEADER PRODUCT SPEC APPLICATION SPEC WEIGHT CUSTOMER DRAWING
MATERIAL: - FINISH: -		SCALE: 2:1 SHEET: 2 OF 2 REV: E	SIZE: A1 CAGE CODE: 00779 DRAWING NO: C-1379046