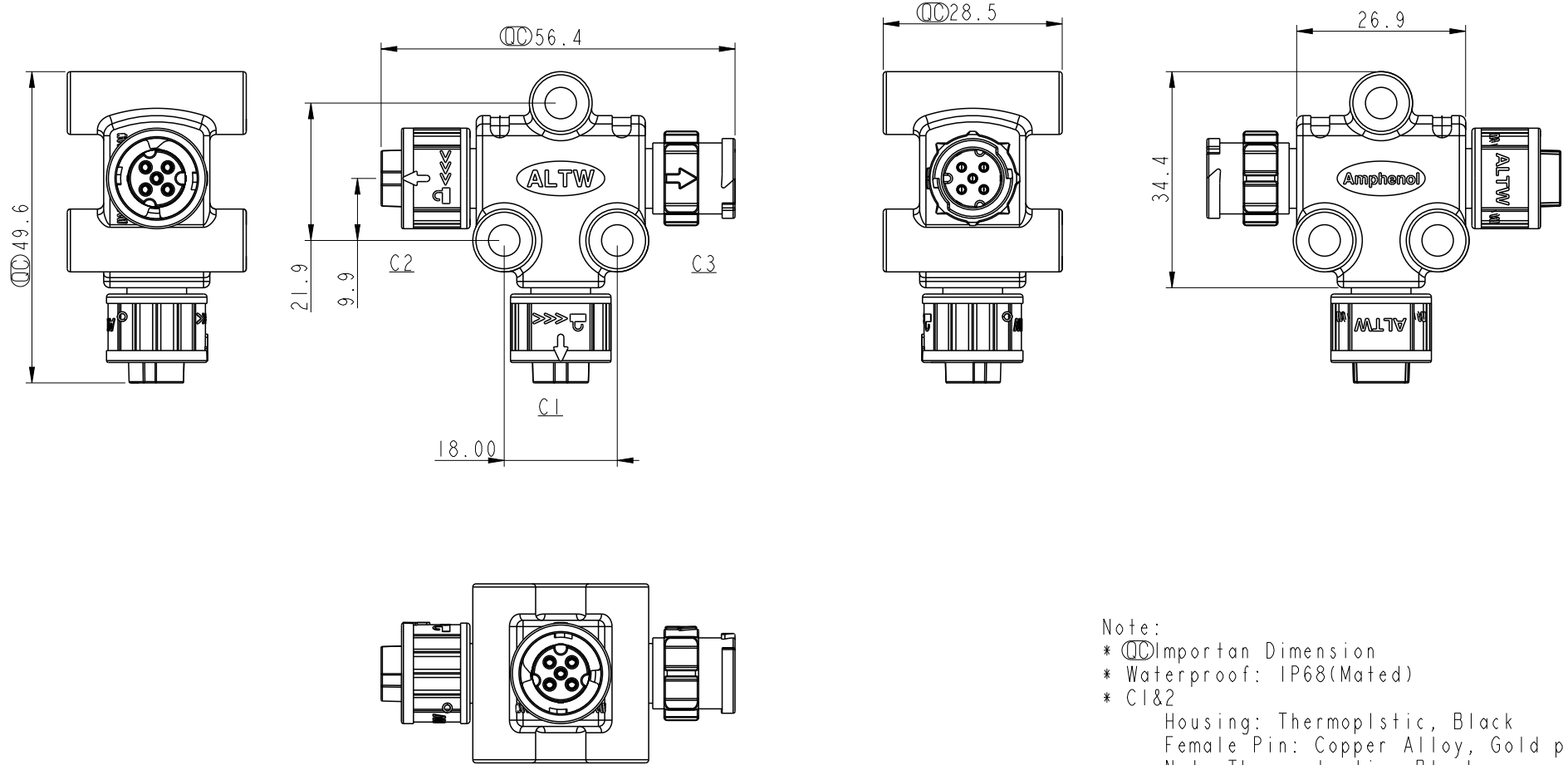

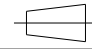


THIS DOCUMENT IS SUBJECT TO CHANGE WITHOUT NOTICE. IT IS CONFIDENTIAL AND A PROPERTY OF Amphenol LTW. DISCLOSURE TO THIRD PARTY HAS TO BE AUTHORIZED BY Amphenol LTW.

REV.	ECN NO.	DATE	SIGN	DESCRIPTION
A		2020/01/16	Eric	Initial Release



Note:
 * \varnothing Important Dimension
 * Waterproof: IP68(Mated)
 * C1&2
 Housing: Thermoplastic, Black
 Female Pin: Copper Alloy, Gold plated
 Nut: Thermoplastic, Black
 * C3
 Housing: Thermoplastic, Black
 Male Pin: Copper Alloy, Gold plated

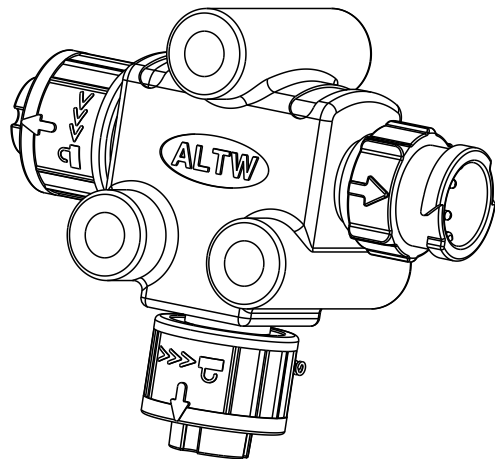
UNIT:mm  
 TOLERANCE
 ±0.50mm

TITLE X Lok A Size T Adaptor FFM			
SCALE 1:1	SIZE A4	SHEET 1 OF 2	
REV. A	WC-REV. A.1	\varnothing : Inspection item	

Amphenol LTW
 安費諾亮泰企業股份有限公司

ITEM NO. AB-AD-XXXXXX-FFM-TQ001	DRAWN BY Eric	DATE 2020/01/16
DWG NO. AB-AD-XXXXXX-FFM-TQ001	CHECKED BY Brady	DATE 2020/01/16
CUSTOMER ALTW	APPROVED BY Neo	DATE 2020/01/16

THIS DOCUMENT IS SUBJECT TO CHANGE WITHOUT NOTICE. IT IS CONFIDENTIAL AND A PROPERTY OF Amphenol LTW. DISCLOSURE TO THIRD PARTY HAS TO BE AUTHORIZED BY Amphenol LTW.

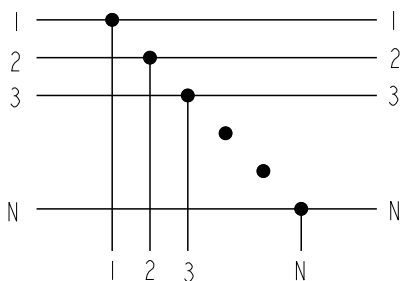


AB-AD-XXXXXX-FFM-TQ001

Connector Type:

02: 2Pin
03: 3Pin

N: N Pin



Connection Diagram

Pin Assignment Front View

	2PIN	3PIN	4PIN	5PIN
Female				
Male				
Pin Out	Pin 1 Green Pin 3 Black	Pin 1 Green Pin 3 Black Pin 4 White	Pin 1 Green Pin 2 Red Pin 3 Black Pin 4 White	Pin 1 Green Pin 2 Red Pin 3 Black Pin 4 White Pin 5 Blue

UNIT: mm

TOLERANCE ±0.50mm

TITLE X Lok A Size
T Adaptor FFM

SCALE 1:1 SIZE A4 SHEET 2 OF 2

REV. A WC-REV. A.1 Inspection item

Amphenol LTW
安費諾亮泰企業股份有限公司

ITEM NO AB-AD-XXXXXX-FFM-TQ001

DWG NO AB-AD-XXXXXX-FFM-TQ001

CUSTOMER ALTW

DRAWN BY Eric

CHECKED BY Brady

APPROVED BY Neo

DATE 2020/01/16

DATE 2020/01/16

DATE 2020/01/16