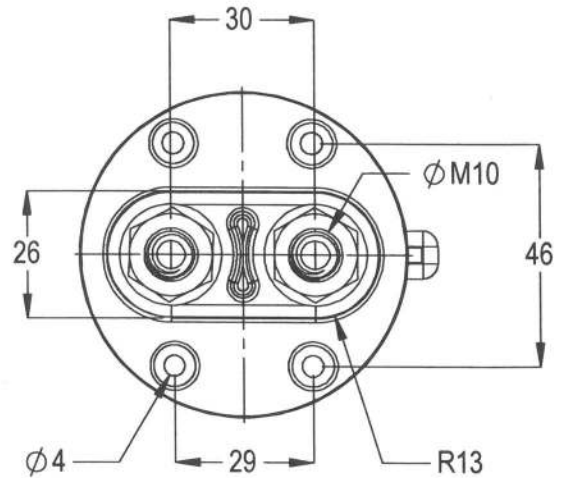
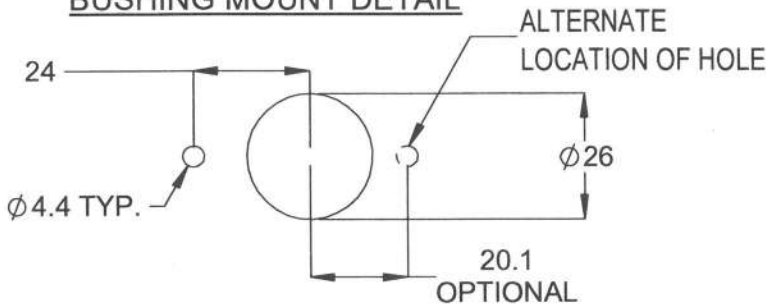


BUSHING MOUNT DETAIL



Circuit

Technical data:

Handle Material:	GF Nylon 6
Housing Material:	Zinc Diecast
Case Material:	GP Phenolic
Min. Insulation Resistance:	100 Mohm
Dielectric Withstanding Voltage:	1050V -1min
Voltage Drop Max.:	0.150 mV
Voltage:	to 48 VDC
Duty Rating:	300 A
Overload:	750 A - 180sec. 1,500 A - 30sec.
Sealing:	IP67
Vibration:	4G / 50-2KHz
Shock:	6G / 11ms
Temperature Range:	-40C to +85C
Terminal Torque:	155 in.lb
Mounting Torque:	18 ft.lb

PROPRIETARY AND CONFIDENTIAL

This document contains proprietary data for products designed by Shallco, Inc., of Smithfield, NC. No disclosure; reproduction, or use of any part thereof may be made except by written permission.



308 COMPONENTS DRIVE, SMITHFIELD, NC 27577 USA

DO NOT SCALE DRAWING

	NAME	DATE
DRAWN	JRT	4-15-15
CHECKED		
ENG APPR.	RMF	4-15-15
MFG APPR.		
Q.A.		

BATTERY DISCONNECT 300A

TITLE:	BATTERY DISCONNECT 300A	
MATERIAL:	SEE TECHNICAL DATA	FINISH: SEE TECHNICAL DATA
BLANK WEIGHT:	N/A	PART WEIGHT: 0.75 lb

METRIC DIMENSION TOLERANCES:
 FRACTIONAL ±0.8
 ANGULAR: MACH ± 1 BEND ± 1
 TWO PLACE DECIMAL ±0.25 MM
 THREE PLACE DECIMAL ±0.130 MM

SIZE	DWG. NO.	REV.
A	500D-300	B
SCALE: 1:1.5		SHEET 1 OF 1

DWG NO.: 500D-300

REV.	DESCRIPTION	DATE	APPD
	REVISIONS		