

747299-2 ✓ ACTIVE

AMPLIMITE | AMPLIMITE HD-20

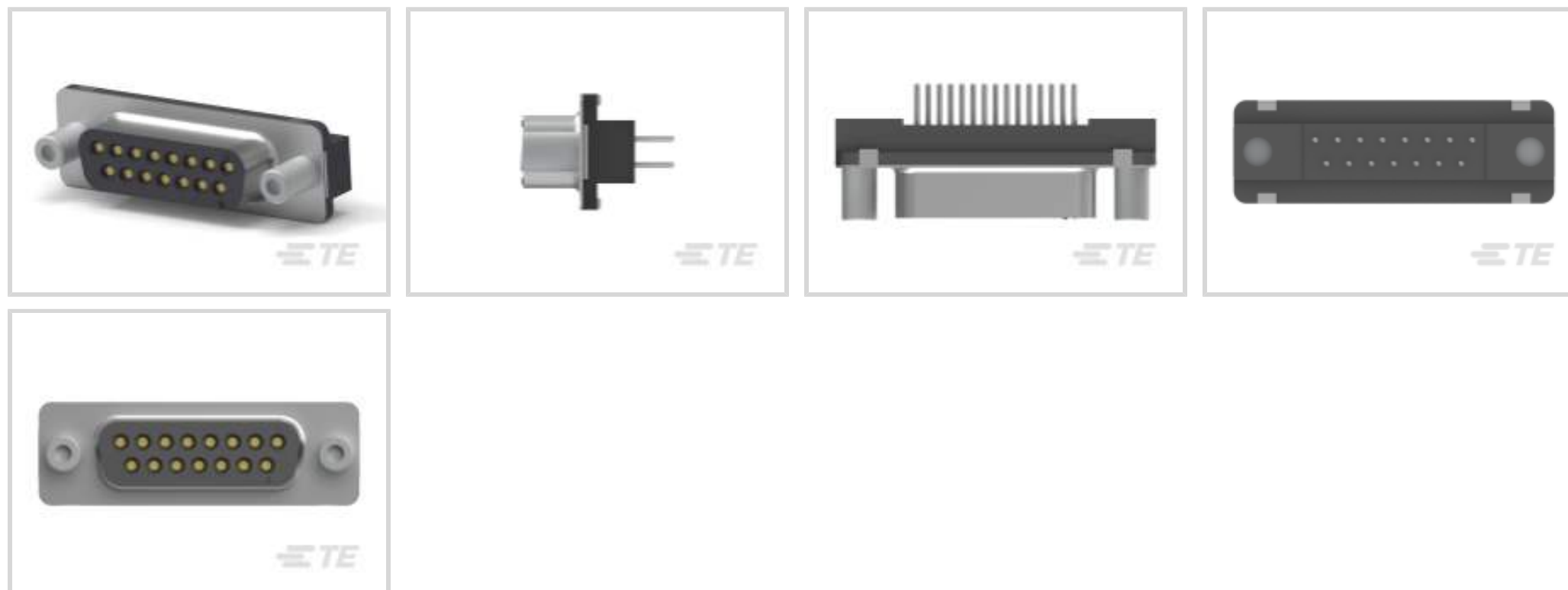
TE Internal #: 747299-2

PCB D-Sub Connectors, Receptacle, Board-to-Board, 15 Position,
2.77 mm [.109 in] Centerline, 2 Row, 2 Connector Shell Size, Round,
AMPLIMITE HD-20

[View on TE.com >](#)



Connectors > D-Shaped Connectors > D-Sub Connectors > PCB D-Sub Connectors > D-Sub Receptacle Assembly: Vertical, Shell Size 2, 2.74mm



Connector & Housing Type: **Receptacle**

Connector System: **Board-to-Board**

Number of Positions: **15**

Centerline (Pitch): **2.77 mm [.109 in]**

Number of Rows: **2**

[All D-Sub Receptacle Assembly: Vertical, Shell Size 2, 2.74mm \(45\)](#)

Features

Product Type Features

Shell Material Configuration	Front Metal Shell
Connector & Housing Type	Receptacle
Connector System	Board-to-Board
Connector Shell Size	2
Connector & Contact Terminates To	Printed Circuit Board

Configuration Features

Number of Positions	15
Number of Rows	2
PCB Mount Orientation	Vertical

Body Features

Shield Plating Material	Tin
Shield Material	Steel



Shell Plating Material	Tin
Primary Product Color	Black
Connector Profile	Standard

Contact Features

	30 µin
Contact Mating Area Plating Material	Gold
Contact Underplating Material	Nickel
PCB Contact Termination Area Plating Material	Tin-Lead
Contact Base Material	Phosphor Bronze
Contact Shape & Form	Round
Contact Current Rating (Max)	6 A

Termination Features

Round Termination Post & Tail Diameter	.66 mm[.026 in]
Termination Post & Tail Length	3.18 mm[.125 in]
Termination Method to Printed Circuit Board	Through Hole - Solder

Mechanical Attachment

Mounting Hole Diameter	3.05 mm[.12 in]
PCB Mount Retention	With
PCB Mount Retention Type	Mounting Hole
Mating Retention	Without
Connector Mounting Type	Board Mount

Housing Features

Shell Material	Carbon Steel
Housing Material	Polyester
Centerline (Pitch)	2.77 mm[.109 in]

Dimensions

PCB Thickness (Recommended)	1.57 – 2.36 mm[.062 – .093 in]
Row-to-Row Spacing	2.84 mm[.112 in]

Usage Conditions

Operating Temperature Range	-55 – 105 °C[-67 – 221 °F]
-----------------------------	----------------------------

Operation/Application

Shielded	Yes
----------	-----



Circuit Application

Signal

Industry Standards

Approved Standards

UL E28476

UL Flammability Rating

UL 94V-0

Packaging Features

Packaging Quantity

13

Packaging Method

Tube

Other

D-Shaped Connectors Comment

All receptacles are preloaded with size 20
DF posted socket contacts

Product Compliance

For compliance documentation, visit the product page on [TE.com](#)>

EU RoHS Directive 2011/65/EU

Not Compliant

EU ELV Directive 2000/53/EC

Compliant with Exemptions

China RoHS 2 Directive MIIT Order No 32, 2016

Restricted Materials Above Threshold

EU REACH Regulation (EC) No. 1907/2006

Current ECHA Candidate List: JUNE 2023
(235)
Candidate List Declared Against: JAN 2023
(233)
SVHC > Threshold:
Pb (13% in Component Part)
Article Safe Usage Statements:
Do not eat, drink or smoke when using this product. Wash thoroughly after
handling. Recycle if possible and dispose of the article by following all applicable
governmental regulations relevant to your geographic location.

Halogen Content

Not Low Halogen - contains Br or Cl > 900
ppm.

Solder Process Capability

Not lead free process capable

Product Compliance Disclaimer

This information is provided based on reasonable inquiry of our suppliers and represents our current actual knowledge based on the information they provided. This information is subject to change. The part numbers that TE has identified as EU RoHS compliant have a maximum concentration of 0.1% by weight in homogenous materials for lead, hexavalent chromium, mercury, PBB, PBDE, DBP, BBP, DEHP, DIBP, and 0.01% for cadmium, or qualify for an exemption to these limits as defined in the Annexes of Directive 2011/65/EU (RoHS2). Finished electrical and electronic equipment products will be CE marked as required by Directive 2011/65/EU. Components may not be CE marked. Additionally, the part numbers that TE has identified as EU ELV compliant have a maximum concentration of 0.1% by weight in homogenous materials for lead, hexavalent chromium, and mercury, and 0.01% for cadmium, or qualify for an exemption to these limits as defined in the Annexes of Directive 2000/53/EC (ELV). Regarding the REACH Regulation, the information TE provides on SVHC in articles for this part number is based on the latest European Chemicals Agency (ECHA) 'Guidance on requirements for substances in articles' posted at this URL: <https://echa.europa.eu/guidance-documents/guidance-on-reach>

Compatible Parts



TE Part # CAT-AM7-H3
IDC D-Sub: Plug Assembly, Low Profile, Signal, 2.77 mm



TE Part # 1-745494-5
15 HDE MS PLUG,22-26,LEAD FREE



TE Part # 1-745494-7
PLUG ASSY,15P,HDE,MS



TE Part # 206509-1
SIZE 20 KEYING PLUG

Also in the Series | AMPLIMITE HD-20



PCB D-Sub Connectors(353)

Customers Also Bought



TE Part #5747844-5
09 MSFL RCPT RA 318 (SL,FM,BL)



TE Part #5102156-3
A/L UNIV HDR 16P VERT



TE Part #5745967-4
25 RCPT SP/FMS STD



TE Part #5103308-1
A/L LOW PRO HDR 10P VERT BLACK



TE Part #87224-2
02 MODII HDR SRST UNSHRD .100



TE Part #87220-3
03 MODII HDR SRST UNSHRD .100



TE Part #1625854-2
0805 PROBE PAD



TE Part #2-2176346-7
CRGCQ 1210 22K 5%



Documents

Product Drawings

15 RCPT SP/FMS STD

English

CAD Files

3D PDF

3D

Customer View Model

[ENG_CVM_CVM_747299-2_R.2d_dxf.zip](#)

English

Customer View Model

[ENG_CVM_CVM_747299-2_R.3d_igs.zip](#)

English

Customer View Model

[ENG_CVM_CVM_747299-2_R.3d_stp.zip](#)

English

By downloading the CAD file I accept and agree to the [Terms and Conditions](#) of use.

Product Specifications

Application Specification

English