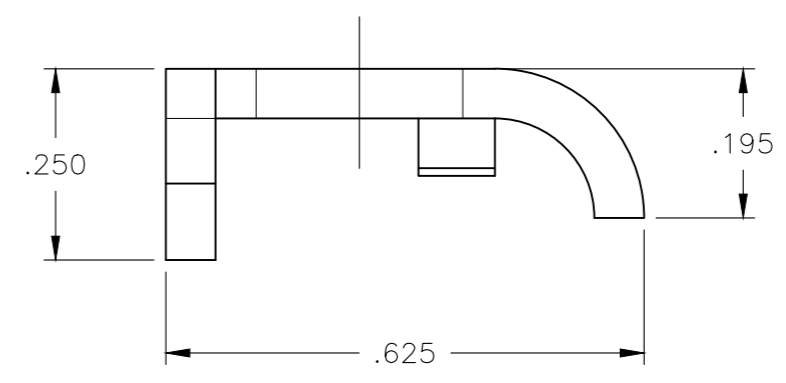
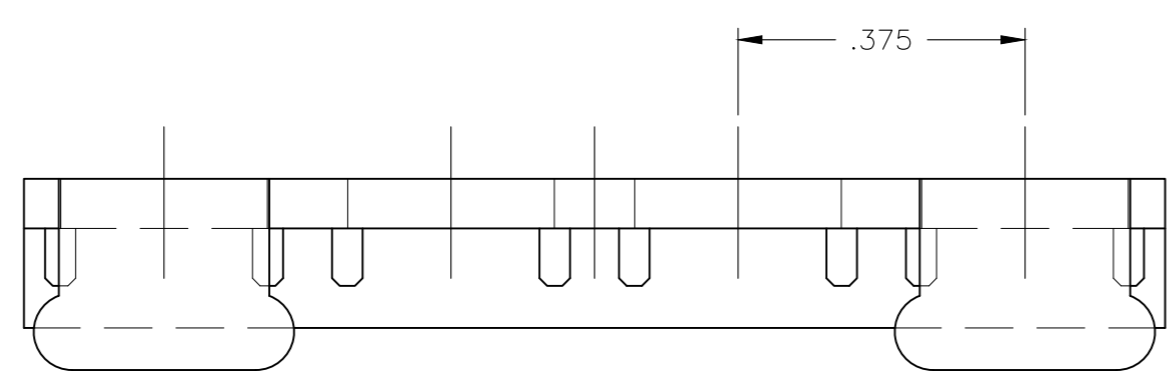
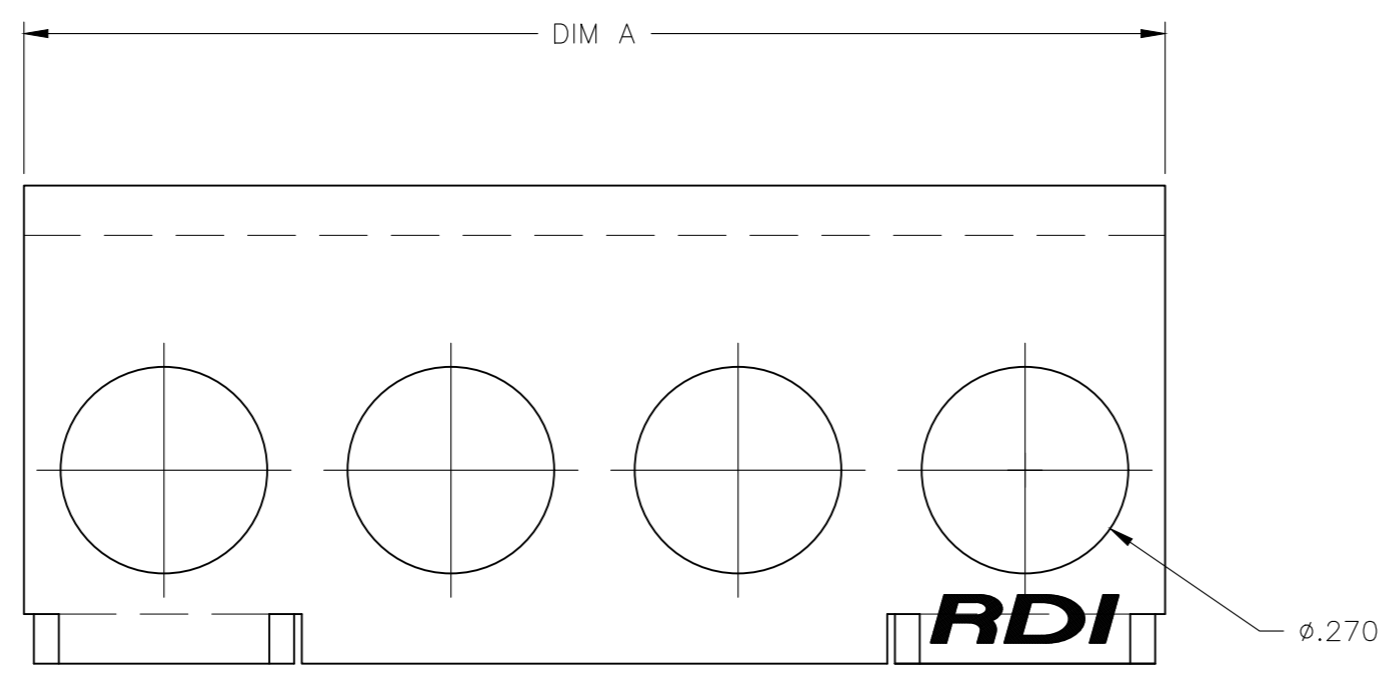


THIS DRAWING IS UNPUBLISHED. RELEASED FOR PUBLICATION
 © COPYRIGHT - By - ALL RIGHTS RESERVED.

REVISIONS				
P	LTR	DESCRIPTION	DATE	APVD
	D2	PART STATUS UPDATED	25JAN2018	RK PS

NOTES:

- 1 MATERIAL: POLYPHENYLENE OXIDE UL94V-0, BLACK.
- 2 POSITION HAS RDI LOGO OMITTED.
- 3. FOR USE WITH 6 SERIES BARRIER STRIPS.



OBSOLETE	5.991	16	TC6-16-PFH	4-1437661-7
	5.616	15	TC6-15-PFH	4-1437661-6
	5.241	14	TC6-14-PFH	1-1776050-4
	4.866	13	TC6-13-PFH	1-1776050-3
OBSOLETE	4.491	12	TC6-12-PFH	4-1437661-5
	4.116	11	TC6-11-PFH	7-1437661-4
	3.741	10	TC6-10-PFH	4-1437661-4
OBSOLETE	3.366	9	TC6-09-PFH	4-1437661-2
	2.991	8	TC6-08-PFH	4-1437661-0
	2.616	7	TC6-07-PFH	3-1437661-8
	2.241	6	TC6-06-PFH	3-1437661-7
	1.866	5	TC6-05-PFH	3-1437661-4
	1.491	4	TC6-04-PFH	3-1437661-2
OBSOLETE	1.116	3	TC6-03-PFH	2-1437661-9
	.741	2	TC6-02-PFH	2-1437661-7
	DIM A	NO. OF POS.	CATALOG NUMBER	PART NUMBER

THIS DRAWING IS A CONTROLLED DOCUMENT.		DWN S SCHLEGEL 23MAY03	TE Connectivity Ltd.	
DIMENSIONS: INCHES		CHK S YODER 5/23/03		
TOLERANCES UNLESS OTHERWISE SPECIFIED:		APVD S YODER 5/23/03	NAME TC6-XX-PFH TERMINAL BLOCK COVER	
0 PLC ± - 1 PLC ± - 2 PLC ± - 3 PLC ± .010 4 PLC ± - ANGLES ± -		PRODUCT SPEC -	RESTRICTED TO -	
MATERIAL		FINISH	SIZE A2	CAGE CODE 00779
		WEIGHT	DRAWING NO. C-2-1437661-7	
CUSTOMER DRAWING		SCALE 4:1	SHEET 1 of 1	REV D2

2-1437661-7