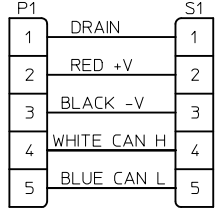
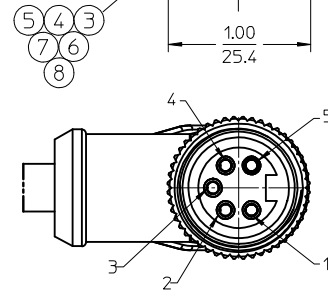
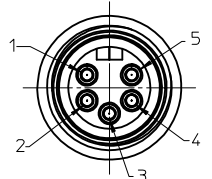
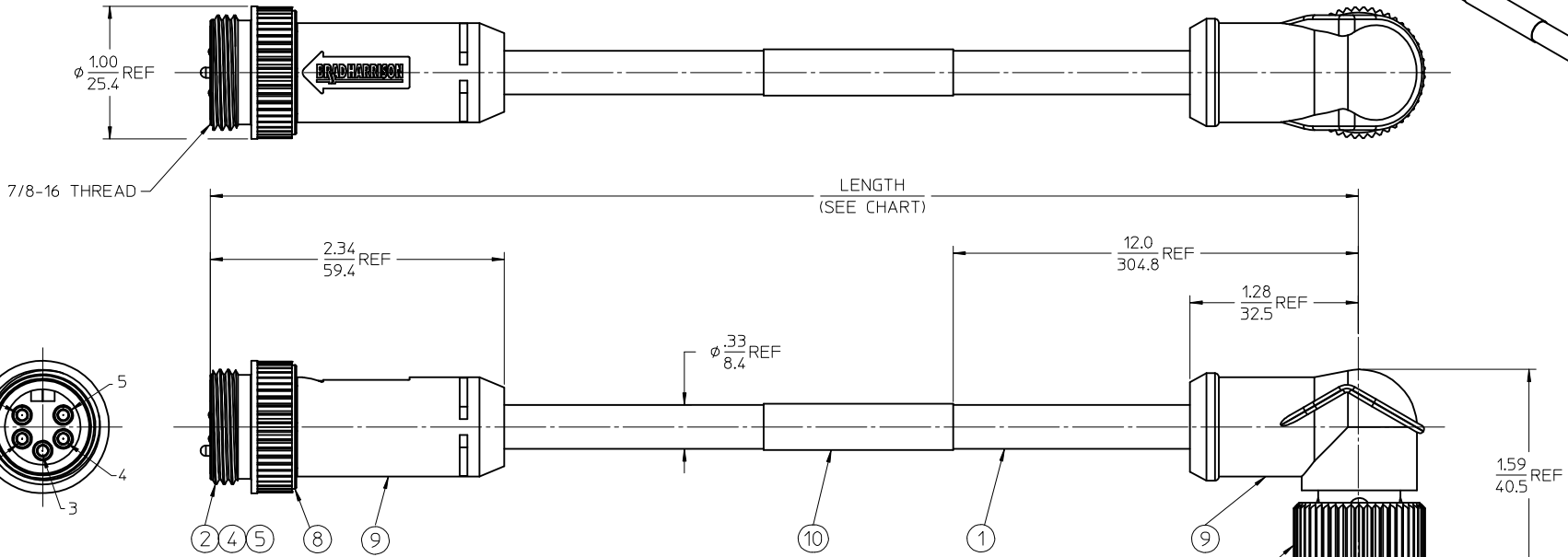
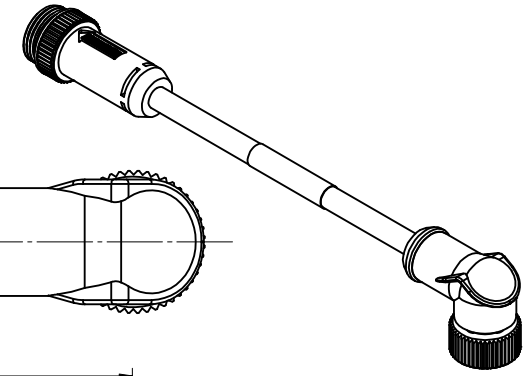


PART NUMBER	ENGINEERING NO.	LENGTH
1300250259	DNB91A-M010	3' 3" +2.19 - 0 [1.0M +55.6 - 0]
1300250541	DNB91A-M030	9' 10" +3.50 - 0 [3.0M +88.9 - 0]
1300250261	DNB91A-M050	16' 5" +6.50 - 0 [5.0M +165.1 - 0]



- NOTES:
- MATERIAL: SEE TABLE
 - FINISHES: SEE TABLE
 - CABLE ASSEMBLIES ARE BAGGED SEPARATELY IN POLY BAGS WITH BARCODE LABEL ATTACHED TO OUTSIDE OF BAG
 - WRAP LABEL IS MARKED WITH P/N, DATE CODE VOLTAGE & AMPERAGE
 - MATES WITH: MINI CHANGE, A-SIZE 5 POLE
 - ELECTRICAL SPECIFICATIONS:
VOLTAGE RATING: 300V
CURRENT RATING: 4 AMPS
 - ASSEMBLY IS RoHS COMPLIANT

Partial1
Scale 1.5:1

WIRING DIAGRAM

ITEM	QTY.	DESCRIPTION	MATERIAL	FINISH
10	1	LABEL	PLASTIC FILM	BLACK/YELLOW
9	1	OVERMOLD	PVC	GRAY
8	1	COUPLING NUT	ZINC DIE CAST	BLACK
7	1	FRICTION RING	NYLON	WHITE
6	5	SOCKET SLEEVE	ST. STEEL	
5	3	CONTACT, 20 AWG	BRASS	GOLD PLATED
4	2	CONTACT, 16 AWG	BRASS	GOLD PLATED
3	1	INSERT, FEMALE, 5 POLE	PVC	GRAY
2	1	INSERT, MALE, 5 POLE	PVC	GRAY
1	1	CABLE - MID, DEV-NET, TRUNK, 20/2, 16/2	PVC JACKET	GRAY

RELEASED EC NO: MNA2010-0048 DRAWN: BRUPERT 2009/07/17 CHKD: BRUPERT APPR: J. MURPHY 2009/07/20	DESCRIPTION REV: A	QUALITY SYMBOLS ▽=0 ▽=0	GENERAL TOLERANCES (UNLESS SPECIFIED) <table border="1"> <thead> <tr> <th></th> <th>mm</th> <th>INCH</th> </tr> </thead> <tbody> <tr> <td>4 PLACES</td> <td>± ---</td> <td>± ---</td> </tr> <tr> <td>3 PLACES</td> <td>± ---</td> <td>± ---</td> </tr> <tr> <td>2 PLACES</td> <td>± ---</td> <td>± ---</td> </tr> <tr> <td>1 PLACE</td> <td>± ---</td> <td>± ---</td> </tr> </tbody> </table>		mm	INCH	4 PLACES	± ---	± ---	3 PLACES	± ---	± ---	2 PLACES	± ---	± ---	1 PLACE	± ---	± ---	DIMENSION STYLE IN/MM	SCALE 1.5:1	DESIGN UNITS INCH	THIRD ANGLE PROJECTION
			mm	INCH																		
		4 PLACES	± ---	± ---																		
		3 PLACES	± ---	± ---																		
2 PLACES	± ---	± ---																				
1 PLACE	± ---	± ---																				
DRAFT WHERE APPLICABLE MUST REMAIN WITHIN DIMENSIONS			DRAWN BY B. RUPERT 2009/07/07	DATE 2009/07/07	MINI-CHANGE 5 POLE M/FE ST/90D EXT TRUNK CABLE - MID																	
SEE CHART			CHECKED BY B. WOODMAN 2009/07/07	DATE 2009/07/07																		
MATERIAL NO. SD-130025-010			APPROVED BY J. MURPHY 2009/07/07		MOLEX INCORPORATED																	
SIZE C			THIS DRAWING CONTAINS INFORMATION THAT IS PROPRIETARY TO MOLEX INCORPORATED AND SHOULD NOT BE USED WITHOUT WRITTEN PERMISSION		SHEET NO. 1 OF 1																	