

34826 ✓ ACTIVE

PLASTI-GRIP

TE Internal #: 34826

Ring Terminals & Spade Terminals, Ring Tongue, 16 – 14 AWG

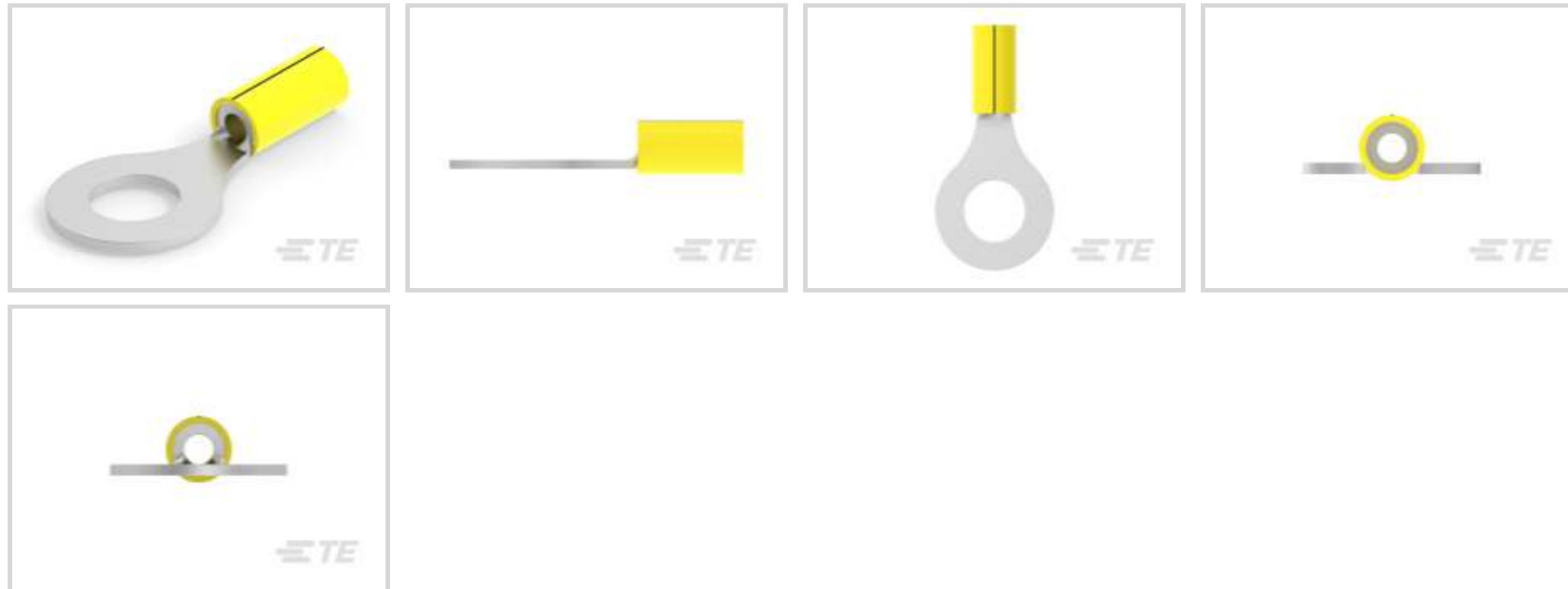
Wire Size, 1.04 – 2.62 mm² Wire Size, 2050 – 5180 CMA Wire Size,

Stud Size 3/8, PLASTI-GRIP

[View on TE.com >](#)



Terminals & Splices > Ring Terminals & Spade Terminals



Ring & Spade Terminal Type: **Ring Tongue**

Wire Size: **2050 – 5180 CMA**

Stud Size: **3/8**

Features

Product Type Features

Terminal Features	Heavy Duty
Stud Size	3/8
Sealable	No
Wire Insulation Support Retention Type	Insulation Support

Configuration Features

Number of Holes	1
-----------------	---

Electrical Characteristics

Voltage Rating	600 V
----------------	-------

Body Features

Product Weight	.399 g
Stripe Color	Black

Contact Features

Ring & Spade Terminal Type	Ring Tongue
Barrel Type	Closed
Terminal Orientation	Straight



Terminal Plating Material	Tin
---------------------------	-----

Mechanical Attachment

Wire Insulation Support	With
-------------------------	------

Dimensions

Wire Size	2050 – 5180 CMA
Stud Diameter	9.91 mm[.39 in]
Tongue Thickness	1.22 mm[.05 in]
Product Length	40.49 mm[1.59 in]
Compatible Insulation Diameter (Max)	5.08 mm[.2 in]
Compatible Insulation Diameter Range	2.67 – 5.08 mm[.105 – .2 in]

Usage Conditions

Insulation Option	Partially Insulated
Operating Temperature Range	105 °C[221 °F]

Operation/Application

Compatible With Wire Base Material	Copper
Compatible With Wire Plating Material	Tin

Industry Standards

Government Qualified Terminal	No
-------------------------------	----

Packaging Features

Packaging Quantity	500
Packaging Method	Loose Piece

Other

Terminals & Splices Comment	Heavy Duty for extra mechanical strength
-----------------------------	--

Product Compliance

[For compliance documentation, visit the product page on TE.com>](#)

EU RoHS Directive 2011/65/EU	Compliant
EU ELV Directive 2000/53/EC	Compliant
China RoHS 2 Directive MIIT Order No 32, 2016	No Restricted Materials Above Threshold
EU REACH Regulation (EC) No. 1907/2006	Current ECHA Candidate List: JUNE 2023 (235) Candidate List Declared Against: JAN 2022 (223)



Does not contain REACH SVHC

Halogen Content

Not Low Halogen - contains Br or Cl > 900 ppm.

Solder Process Capability

Not applicable for solder process capability

Product Compliance Disclaimer

This information is provided based on reasonable inquiry of our suppliers and represents our current actual knowledge based on the information they provided. This information is subject to change. The part numbers that TE has identified as EU RoHS compliant have a maximum concentration of 0.1% by weight in homogenous materials for lead, hexavalent chromium, mercury, PBB, PBDE, DBP, BBP, DEHP, DIBP, and 0.01% for cadmium, or qualify for an exemption to these limits as defined in the Annexes of Directive 2011/65/EU (RoHS2). Finished electrical and electronic equipment products will be CE marked as required by Directive 2011/65/EU. Components may not be CE marked. Additionally, the part numbers that TE has identified as EU ELV compliant have a maximum concentration of 0.1% by weight in homogenous materials for lead, hexavalent chromium, and mercury, and 0.01% for cadmium, or qualify for an exemption to these limits as defined in the Annexes of Directive 2000/53/EC (ELV). Regarding the REACH Regulation, the information TE provides on SVHC in articles for this part number is based on the latest European Chemicals Agency (ECHA) 'Guidance on requirements for substances in articles' posted at this URL: <https://echa.europa.eu/guidance-documents/guidance-on-reach>

Compatible Parts

TE Part # 58433-3
PRO CR ASSY, RBY IS9252

TE Part # 59239-4
HHHT PIDG PG 12-10 ASSY

TE Part # 58423-1
DIE, RBY IS9252

TE Part # 59824-1
TETRA-CRIMP PIDG PG FASTON 22-10 ASSY

TE Part # 47808-6
DIES PIDG 12-10 DIE SET

TE Part # 679300-1
1210 PIDG CRIMP HEAD

TE Part # 169400
CERTI-LOK FRAME W/O DIES

TE Part # 1SET191001R0000
CRIMP-HT

TE Part # 1SET191002R0000
TET CRIMP-HT

TE Part # 169404
CERTI-LOK DIE

Also in the Series | **PLASTI-GRIP**



Compression Connectors(3)



Crimp Wire Pins, Tabs & Ferrules(25)

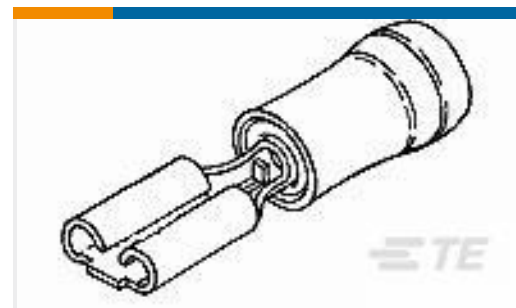


Ring Terminals & Spade Terminals(534)



Splices(49)

Customers Also Bought

TE Part #205204-8
HDP-20, PLUG, SIZE 1, 9 POSNTE Part #1658646-1
KIT, HDP-20, OVRMLD, RCPT, SIZE 1,TE Part #60894-1
RECEPT, PIDG FASTON 22-18 110TE Part #747784-8
JACKSCREW KIT, 4-40, BULKTE Part #35185
TERMINAL, SOLIS R 2 1/2TE Part #3-643193-2
02P MTA156 CONN ASSY H/F 22AWGTE Part #324045
TERMINAL, T-N R 8 3/8TE Part #828904-1
SINGLE WIRE SEAL FOR J.P.T.CONTE Part #60619-7
CMNL SOK AUPHBZ L/PTE Part #GA100K6D53
PRO2-PROBE

Documents

Product Drawings

[TERMINAL, PG R 16-14HD 3/8](#)

English

CAD Files

[3D PDF](#)

3D

[Customer View Model](#)

[ENG_CVM_CVM_34826_J.2d_dxf.zip](#)



English

Customer View Model

[ENG_CVM_CVM_34826_J.3d_igs.zip](#)

English

Customer View Model

[ENG_CVM_CVM_34826_J.3d_stp.zip](#)

English

Customer View Model

[ENG_CVM_34826_E.3d_igs.zip](#)

English

Customer View Model

[ENG_CVM_34826_E.3d_stp.zip](#)

English

Customer View Model

[ENG_CVM_34826_E.2d_dxf.zip](#)

English

3D PDF

English

By downloading the CAD file I accept and agree to the [Terms and Conditions](#) of use.

Product Specifications

[Application Specification](#)

English

Agency Approvals

[UL Report](#)

English

[UL Report](#)

English

[UL Report](#)

English