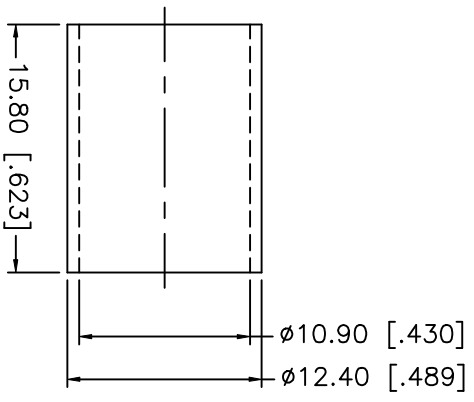
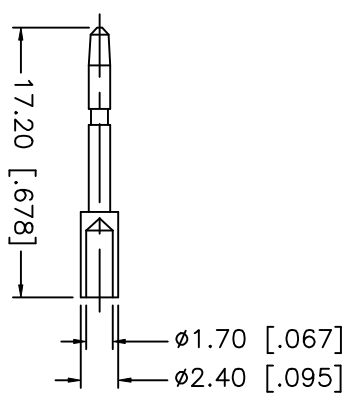
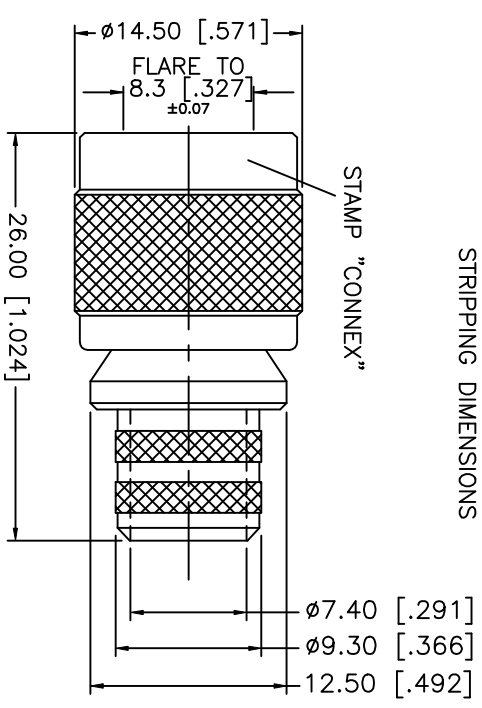
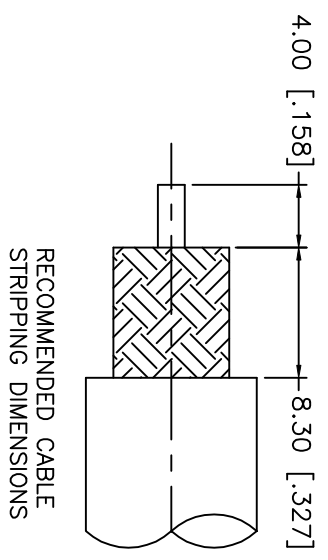


REV.	DATE	DESCRIPTION
A	10/25/99	UPDATE CONTACT PIN



- CRIMP NOTES:
1. CRIMPED FERRULE  
HEX CRIMP SIZE .429"
  2. CRIMP CONTACT PIN  
HEX CRIMP SIZE .068"

DESCRIPTION	MATERIAL	FINISH	UNLESS OTHERWISE SPECIFIED DIMENSIONS ARE IN MILLIMETERS DIMENSIONS IN [ ] ARE IN INCHES FOR CUSTOMER REFERENCE ONLY	APPROVALS	DATE	TITLE
1 BODY	BRASS	NICKEL		DRAWN G.R.S.	10/25/99	TNC CRIMP PLUG (FOR BELDEN 9292, 8213, CABLE)
2 INSULATOR	TEFLON	NATURAL				
3 CONTACT PIN	BRASS	GOLD		CHECKED		
4 FERRULE	BRASS	NICKEL		ISSUED		
5						
6						
7						
8						

UNLESS OTHERWISE SPECIFIED DIMENSIONS ARE IN MILLIMETERS DIMENSIONS IN [ ] ARE IN INCHES FOR CUSTOMER REFERENCE ONLY

UNLESS OTHERWISE SPECIFIED TOLERANCES FOR MILLIMETERS ARE:  
0.5-6 = ± 0.2  
6-30 = ± 0.4  
30-120 = ± 0.6  
120-315 = ± 1  
315-1000 = ± 1.6  
1000-2000 = ± 2.4

DO NOT SCALE DRAWING

SCALE NA PART NO. 122470 SHEET 1 OF 1

Amphenol - Connex  
CONNECTOR CORPORATION

REV. NC