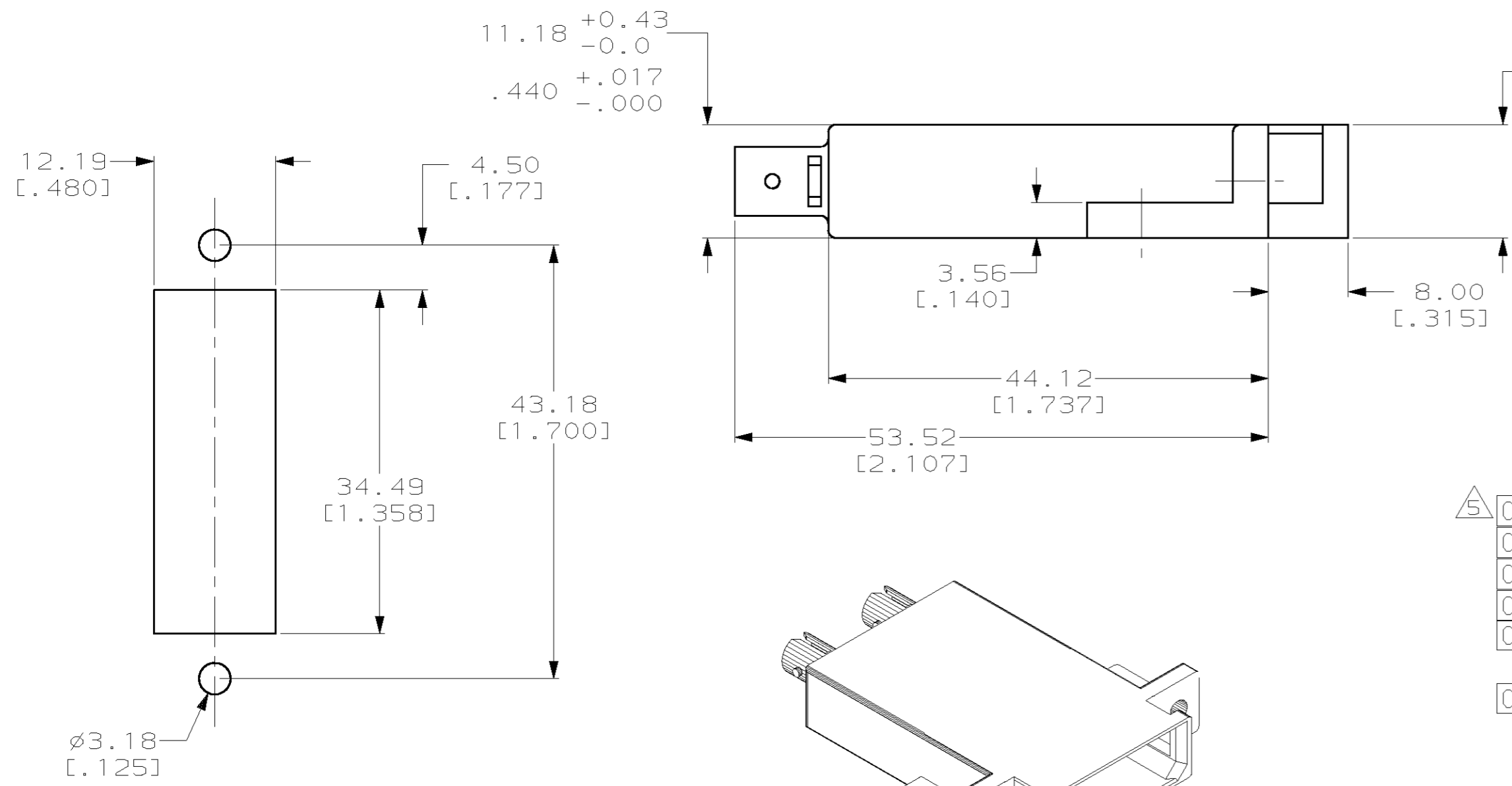
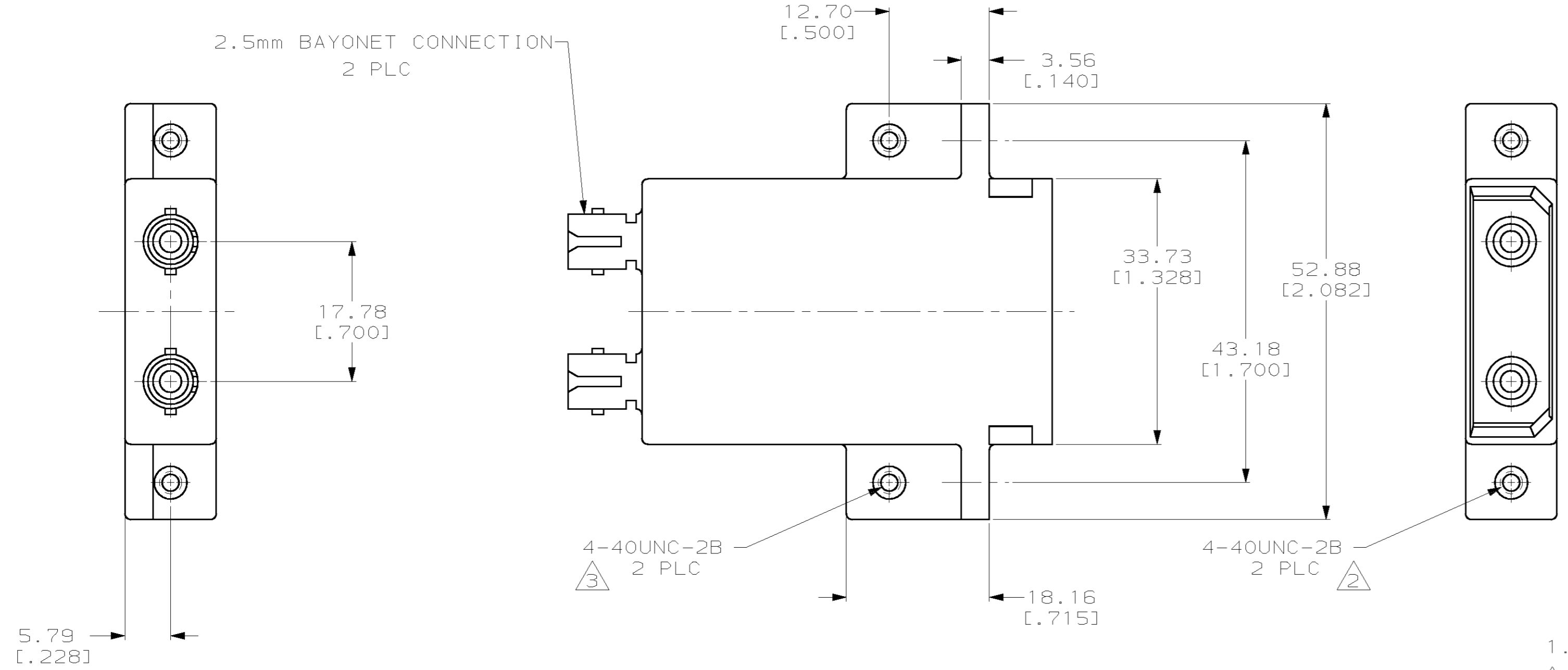


THIS DRAWING IS UNPUBLISHED. RELEASED FOR PUBLICATION
 (C) COPYRIGHT 19 BY AMP INCORPORATED. ALL RIGHTS RESERVED.

LOC	DIST	REVISIONS			
P	LTR	DESCRIPTION	DATE	DWN	APVD
CE	16				
	K	REVISED PER 0A00-0588-03	26MAR04	KG	5B

2.5mm BAYONET CONNECTION
2 PLC



- DIMENSIONS IN [] ARE IN INCHES.
- THREADED INSERTS IN PANEL MOUNT ONLY.
- THREADED INSERTS IN BOARD MOUNT ONLY.
- THREADED INSERTS IN BOTH PANEL AND BOARD MOUNTING EARS.
- DUST COVERS INCLUDED, NOT SHOWN.

OBSELETE	CERAMIC	2	BLACK	502826-7
OBSELETE	METAL	2	BLACK	502826-6
OBSELETE	CERAMIC	4	BLACK	502826-5
OBSELETE	CERAMIC	3	BLACK	502826-4
OBSELETE	CERAMIC	3	BEIGE	502826-3
OBSELETE	CERAMIC	2	BLACK	502826-2
OBSELETE	CERAMIC	2	BEIGE	502826-1

ALIGNMENT SLEEVE	THREADED INSERTS	COLOR	PART NUMBER
THIS DRAWING IS A CONTROLLED DOCUMENT.			
DWN R.HILEMAN 20MAY91		AMP Incorporated	
CHK W.SAVITSKY 15OCT91		Harrisburg, PA 17105-3608	
APVD S.OWENS 15OCT91		NAME	
PRODUCT SPEC		ADAPTER ASSEMBLY, WITH #4-40 THREADS, RSD TO 2.5mm BAYONET	
APPLICATION SPEC		SIZE	CAGE CODE
FINISH		DRAWING NO	
MATERIAL PES MOLDING COMPOUND		WEIGHT	RESTRICTED TO
CUSTOMER DRAWING		A2 00779 C-502826	
SCALE 2:1		SHEET 1 OF 1	REV K

SUGGESTED MOUNTING PATTERN

502826