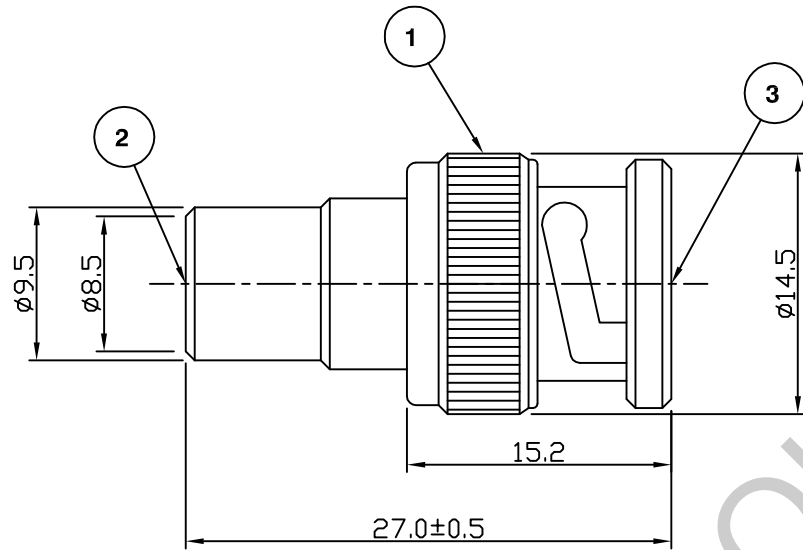


RoHS COMPLIANT



Electrical Characteristics

Nominal Impedance: Non constant
 Operating Voltage (rms): 500 V maximum at sea level
 Insulation Resistance: 5000 megohms minimum

Mechanical Characteristics

Mating Cycles: 500 cycles minimum

Environmental Characteristics

Temperature Range: -55 °C to +85 °C

	PART	DESCRIPTION
1	Body	Brass, nickel plated
2	Dielectric	POM
3	Contact	Brass,Nickel Plated

CAD Issue	SN	2	23 Jan 02
First Issue	PDC	1	25 Aug 00
DESCRIPTION OF REVISION	APPVD	ISS	DATE



Cinch Connectivity Solutions
 7-13 Russell Way,
 Widford Industrial Estate,
 Chelmsford, Essex,
 CM1 3AA, UK.
 Tel: +44 (0) 1245 359515
 Fax: +44 (0) 1245 358938

SCALE: Not To Scale

DIMENSIONS: mm

TOLERANCES:
 ± 0.2mm unless
 otherwise stated

DRAWN BY:

S Nash

CHECKED BY:

P Couzens

APPROVED BY:

P Couzens

DATE:

23 Jan 03

TITLE:

Euro Plug to BNC Plug

PART NUMBER:

VA230

PAGE: 1 of 1