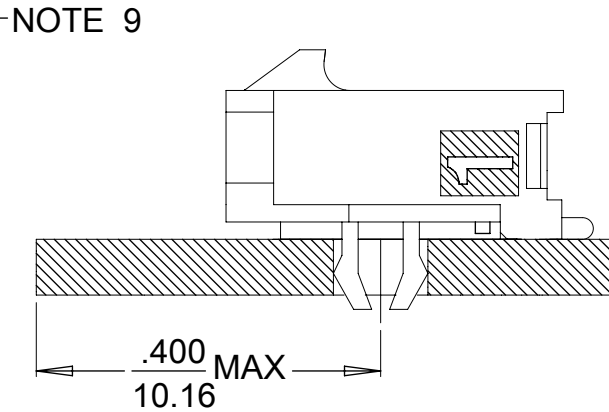
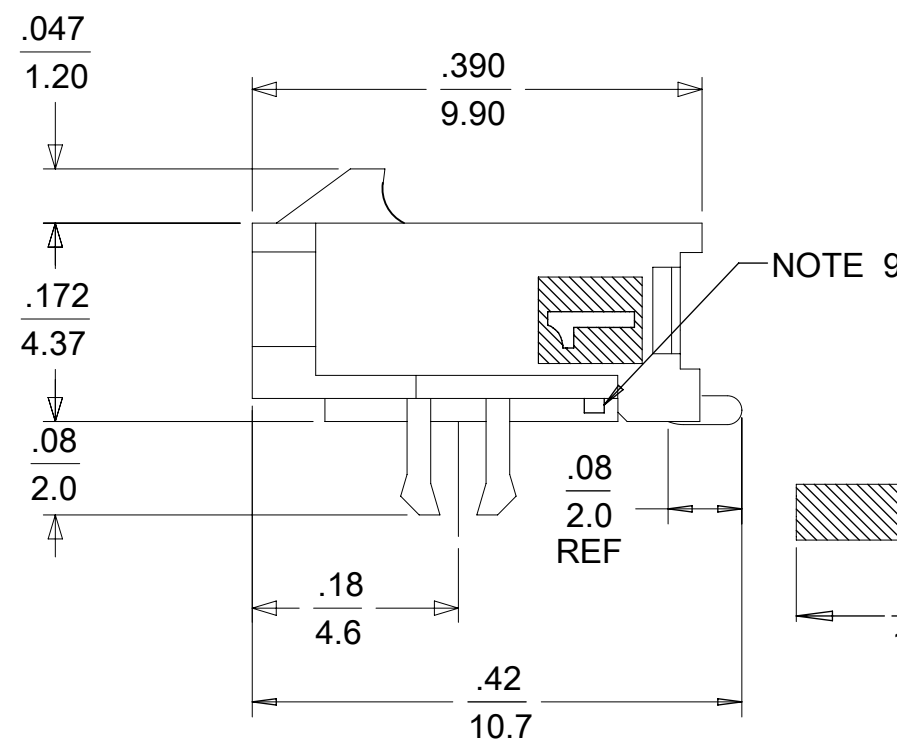
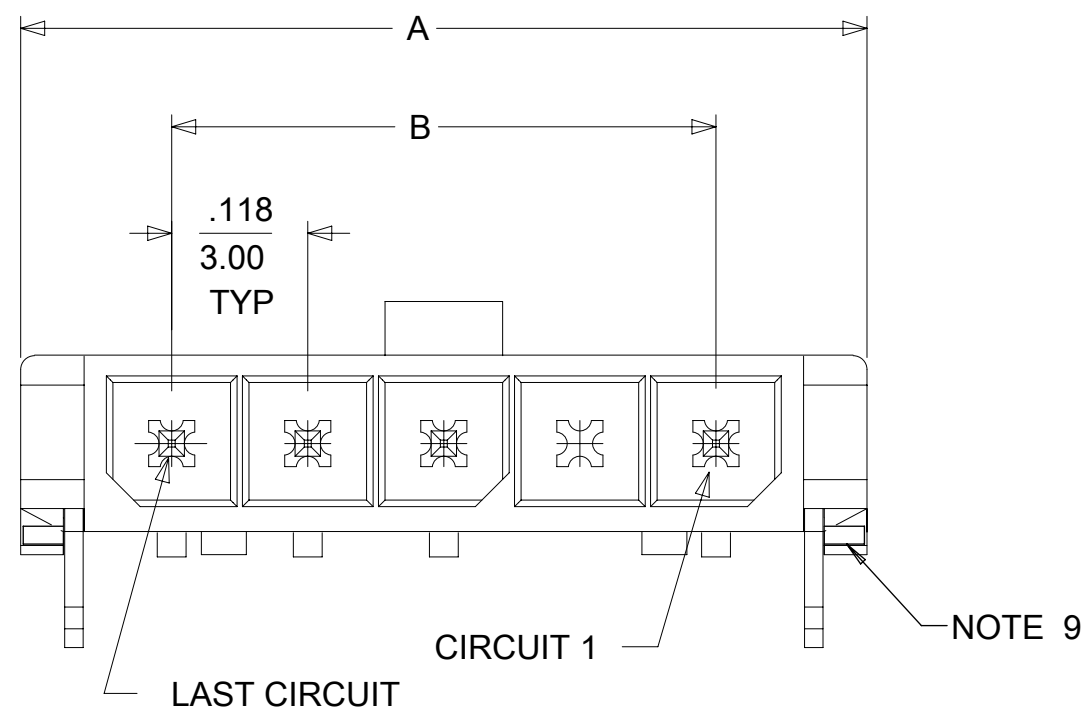
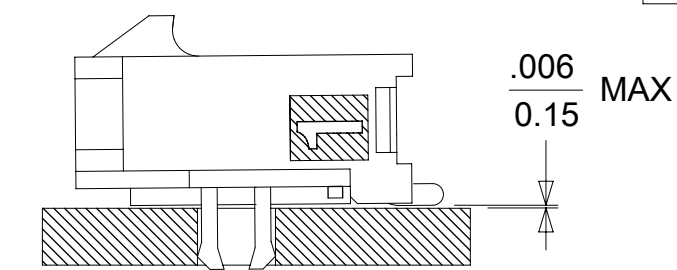


PCB LAYOUT: COMPONENT SIDE  
RECOMMENDED PCB THICKNESS: .062/1.57

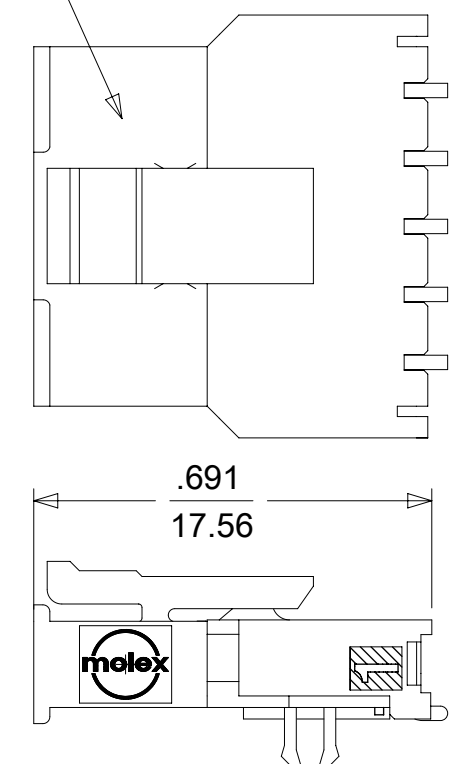


LOCATION DETAIL  
SEE NOTE 8



COPLANARITY DETAIL  
SEE NOTE 7

RECEPTACLE #43645



MATED MICRO FIT CONNECTORS

NOTES:

- HOUSING MATERIAL: LIQUID CRYSTAL POLYMER, GLASS FILLED, UL94V-0, COLOR: BLACK  
TERMINAL MATERIAL: BRASS ALLOY
- FINISH:  
A = .000060/(0.00152) MIN. REFLOWED MATTE TIN OVER  
.000050/(0.00127) MIN. NICKEL  
(FINISH IS BRIGHT IN APPEARANCE, THICKNESS AS APPLIED PRIOR TO REFLOW)  
B = .000015/(0.00038) MIN. SELECT GOLD IN CONTACT AREA  
.000100/(0.00254) MIN. SELECT MATTE TIN ON SOLDER TAILS  
BOTH OVER .000050/(0.00127) NICKEL OVERALL  
C = .000030/(0.00076) MIN. SELECT GOLD IN CONTACT AREA  
.000100/(0.00254) MIN. SELECT MATTE TIN ON SOLDER TAILS  
BOTH OVER .000050/(0.00127) NICKEL OVERALL
- PRODUCT SPECIFICATION: PS-43650
- TAPE & REEL PACKAGED PER MOLEX DRAWING 436500001-PK
- MATES WITH: RECEPTACLE NUMBER 43645
- TO MINIMIZE INSERTION FORCE ON MOUNTING CLIPS DURING ROBOTIC PLACEMENT, HOLE DIAMETER SPECIFICATIONS MUST BE INCREASED MAKING THEM MORE COMPATIBLE WITH PICK AND PLACE EQUIPMENT. HOLE DIAMETERS SHOULD BE INCREASED TO APPROXIMATELY .100 ± .002/(2.54 ± 0.05) AND EVALUATED PER PLACEMENT EQUIPMENT.
- THE COPLANARITY DIMENSION IS ESTABLISHED BY PLACING THE ASSEMBLY ON A FLAT SURFACE. THE DISTANCE FROM THAT SURFACE TO THE BOTTOM OF ANY ANY TERMINAL MUST NOT EXCEED .006/0.15
- TO AVOID INTERFERENCE BETWEEN RECEPTACLE AND PCB, HEADER MUST BE PLACED WITHIN .400/(10.16) MAX. FROM EDGE OF PCB, AS SHOWN IN LOCATION DETAIL.
- METAL TAB MAY BE FLUSH WITH PCB. NO EXPOSED TRACES OR VIAS ALLOWED NEAR THESE AREAS.
- PARTS CONFORM TO CLASS 'B' REQUIREMENTS OF COSMETIC SPECIFICATION PS-45499-002.
- TEXT ON PART IS FOR REFERENCE ONLY. TEXT AND TEXT LOCATION MAY VARY DEPENDING ON PART NUMBER AND/OR TOOL.
- HOLES FOR CLIPS SHOULD BE PTH AND CLIPS SHOULD BE SOLDERED FOR BEST RETENTION TO PCB.

| CKTS | FINISH A     |          | FINISH B     |          | FINISH C     |          |
|------|--------------|----------|--------------|----------|--------------|----------|
|      | MATERIAL NO: | VOID CKT | MATERIAL NO: | VOID CKT | MATERIAL NO: | VOID CKT |
| 02   | 43650-0209   |          | 43650-0210   |          | 43650-0211   |          |
| 03   | 43650-0309   |          | 43650-0310   |          | 43650-0311   |          |
| 04   | 43650-0409   |          | 43650-0410   |          | 43650-0411   |          |
| 05   | 43650-0509   |          | 43650-0510   |          | 43650-0511   |          |
| 06   | 43650-0609   |          | 43650-0610   |          | 43650-0611   |          |
| 07   | 43650-0709   |          | 43650-0710   |          | 43650-0711   |          |
| 08   | 43650-0809   |          | 43650-0810   |          | 43650-0811   |          |
| 09   | 43650-0909   |          | 43650-0910   |          | 43650-0911   |          |
| 10   | 43650-1009   |          | 43650-1010   |          | 43650-1011   |          |
| 11   | 43650-1109   |          | 43650-1110   |          | 43650-1111   |          |
| 12   | 43650-1209   |          | 43650-1210   |          | 43650-1211   |          |
| 03   |              |          |              |          | 43650-1311   | 02       |
| 04   |              |          | 43650-1410   | 02       |              |          |

|  |   |                               |  |  |
|--|---|-------------------------------|--|--|
| FUNCTIONAL SYMBOLS<br>FA = 0<br>FC = 0<br>FP = 0     | THIS DRAWING CONTAINS INFORMATION THAT IS PROPRIETARY TO MOLEX ELECTRONIC TECHNOLOGIES, LLC AND SHOULD NOT BE USED WITHOUT WRITTEN PERMISSION |                               | CURRENT REV DESC: CORRECT INCH/MM DIMENSIONS IN PCB LAYOUT |  |
|  | DIMENSION UNITS: INCH/MM  |                               | SCALE: NTS   |  |
|  | GENERAL TOLERANCES (UNLESS SPECIFIED)   |                               |  |  |
|  | DIVISIONAL SYMBOLS  |                               | EC NO: 739185  |  |
| 4 PLACES ±   |   | DRWN: MKIPPER                 |  |  |
| 3 PLACES ± ± 0.01                                    |   | 2023/02/17                    |  |  |
| 2 PLACES ± 0.25 ± 0.014                              |   | CHK'D: MKIPPER                |  |  |
| 1 PLACE ± 0.36 ±                                     |   | APPR: FSMITH                  |  |  |
| 0 PLACES ±   |   | 2023/02/17                    |  |  |
| ANGULAR TOL ± 0.5 °                                  |   | INITIAL REVISION:             |  |  |
| DRAFT WHERE APPLICABLE MUST REMAIN WITHIN DIMENSIONS |   | DRWN: SAMIEC                  |  |  |
| THIRD ANGLE PROJECTION                               |   | 2000/07/07                    |  |  |
| DRAWING: C-SIZE                                      |   | 2016/03/18                    |  |  |
| SERIES: 43650  |   | DOCUMENT NUMBER: SD-43650-004 |  |  |
| MATERIAL NUMBER: SEE CHART                           |   | DOC TYPE: PSD                 |  |  |
| CUSTOMER: GENERAL MARKET                             |   | DOC PART: 000                 |  |  |
| SHEET NUMBER: 1 OF 1                                 |   | REVISION: E4                  |  |  |