

TUSB1064RNQ EVM

The TUSB1064 device is a USB Type-C / VESA DisplayPort™, Alternate Mode, redriving switch which supports data rates up to 10 Gbps for an Upstream facing port (device). This guide describes how to bring up the EVM, and includes schematics that can be used as a reference design for Alternate Mode implementations of the system with the TUSB1064 device.

Contents

1	Introduction	2
2	TUSB1064RNQEVM Configuration	3
3	TUSB1064RNQEVM Schematics	5
4	Bill of Materials	8

List of Figures

1	TUSB1064RNQEVM Board	2
2	Test Board Setup	2
3	TUSB1064RNQEVM Schematics (1/4)	5
4	TUSB1064RNQEVM Schematics (2/4)	6
5	TUSB1064RNQEVM Schematics (3/4)	7
6	TUSB1064RNQEVM Schematics (4/4)	8

List of Tables

1	TUSB1064 Configuration Pins	3
2	Configuration Pin Level Definitions	3
3	USB 3.1 EQ Settings	3
4	DisplayPort EQ Settings	4
5	BOM	9

Trademarks

DisplayPort is a trademark of VESA.

1 Introduction

The TUSB1064RNQEVM (see [Figure 1](#)) can be used with an Alternate Mode Type-C Source such as the TUSB1046EVM and/or USB, or the DisplayPort, Type-C Host system, to evaluate the Type-C implementation. [Figure 2](#) shows a typical test setup.



Figure 1. TUSB1064RNQEVM Board

The EVM comes with a legacy Type-A USB receptacle to connect to a USB hub/device, and a DisplayPort receptacle to connect to the DisplayPort Sink. The TUSB1064RNQEVM uses the TPS65983 device from TI for CC pin control and I2C or pin-strap mode to configure the device.

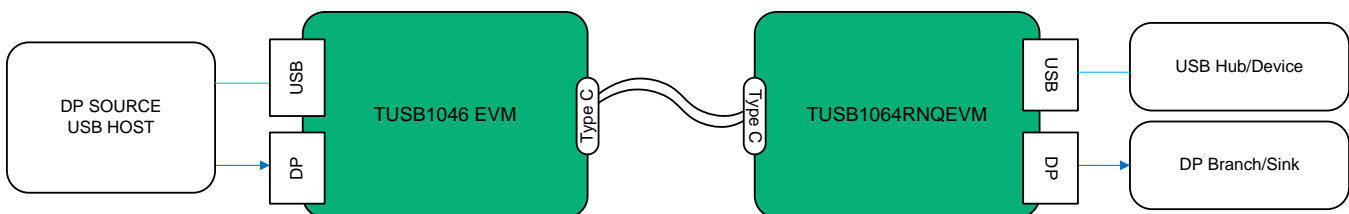


Figure 2. Test Board Setup

2 TUSB1064RNQEV M Configuration

This section provides the configuration options available in the TUSB1064RNQEV M.

2.1 TUSB1064RNQEV M Default Configuration

[Table 1](#) lists the headers provided for configuration of the TUSB1064 by default. The configuration settings may need to be optimized depending on the amount of loss of each channel in the system. The EV M is configured to I2C mode by default. If GPIO configuration is desired, the JMP7 (I2C_EN) shunt must be changed to shunt pins 2 – 3 (GND).

Table 1. TUSB1064 Configuration Pins

Reference Designator	Jumper Control	Configuration
JMP1	Downstream EQ1	Shunt on pins 1 – 2 (GND)
JMP2	Downstream EQ0	Shunt on pins 2 – 3 (PU)
JMP3	Upstream SSEQ1	Shunt on pins 1 – 2 (GND)
JMP4	Upstream SSEQ0	Shunt on pins 2 – 3 (PU)
JMP5	DP EQ1	Shunt on pins 1 – 2 (GND)
JMP6	DP EQ0	Shunt on pins 2 – 3 (PU)
JMP7	I2C_EN	Shunt on pins 1 – 2 (PU)
J1	FLIP	Shunt on pins 2 – 3 (GND)
J2	CTL0	Shunt on pins 1 – 2 (PU)
J3	CTL1	Shunt on pins 1 – 2 (PU)
J4	EN	Shunt on pins 1 – 2 (PU)

2.2 TUSB1064 Equalization Control

Equalization (EQ) can be controlled using I2C or pin-strapping. Each of the TUSB1064 receiver lanes has individual controls for receiver equalization. [Table 2](#) and [Table 3](#) list the gain values for each available combination of Downstream, Upstream, and DisplayPort configurations.

Table 2. Configuration Pin Level Definitions

Level	Settings
0	Option 1: Tie 1-K Ω 5% to GND.
	Option 2: Tie directly to GND.
R	Tie 20-K Ω 5% to GND.
F	Float (leave pin open)
1	Option 1: Tie 1-K Ω 5% to VCC.
	Option 2: Tie directly to VCC.

Table 3. USB 3.1 EQ Settings

USB 3.1 Downstream Facing Port			USB 3.1 Upstream Facing Port		
EQ1 Pin Level	EQ0 Pin Level	EQ Gain at 5 GHz (dB)	SSEQ1 Pin Level	SSEQ0 Pin Level	EQ Gain at 5 GHz (dB)
0	0	0	0	0	0
0	R	1	0	R	1
0	F	2	0	F	2
0	1	3	0	1	3
R	0	4	R	0	4
R	R	5	R	R	5
R	F	6	R	F	6
R	1	7	R	1	7

Table 3. USB 3.1 EQ Settings (continued)

USB 3.1 Downstream Facing Port			USB 3.1 Upstream Facing Port		
EQ1 Pin Level	EQ0 Pin Level	EQ Gain at 5 GHz (dB)	SSEQ1 Pin Level	SSEQ0 Pin Level	EQ Gain at 5 GHz (dB)
F	0	8	F	0	8
F	R	9	F	R	9
F	F	10	F	F	10
F	1	11	F	1	11
1	0	12	1	0	12
1	R	13	1	R	13
1	F	14	1	F	14
1	1	15	1	1	15

Table 4. DisplayPort EQ Settings

All DisplayPort Lanes		
DPEQ1 Pin Level	DPEQ0 Pin Level	EQ Gain at 5 GHz (dB)
0	0	0
0	R	1
0	F	2
0	1	3
R	0	4
R	R	5
R	F	6
R	1	7
F	0	8
F	R	9
F	F	10
F	1	11
1	0	12
1	R	13
1	F	14
1	1	15

2.3 Power

The EVM is designed to operate off of the VBUS, from a USB host, connected through a USB Type-C (P2). 5-V external power does not need to be applied through J8, unless standalone operation is desired. If testing the DisplayPort only, or if bypassing VBUS power, the EVM must be powered through J8 (5-V, 1-A input).

3 TUSB1064RNQEVM Schematics

Figure 3, Figure 4, Figure 5, and Figure 6 show the TUSB1064RNQEVM schematics.

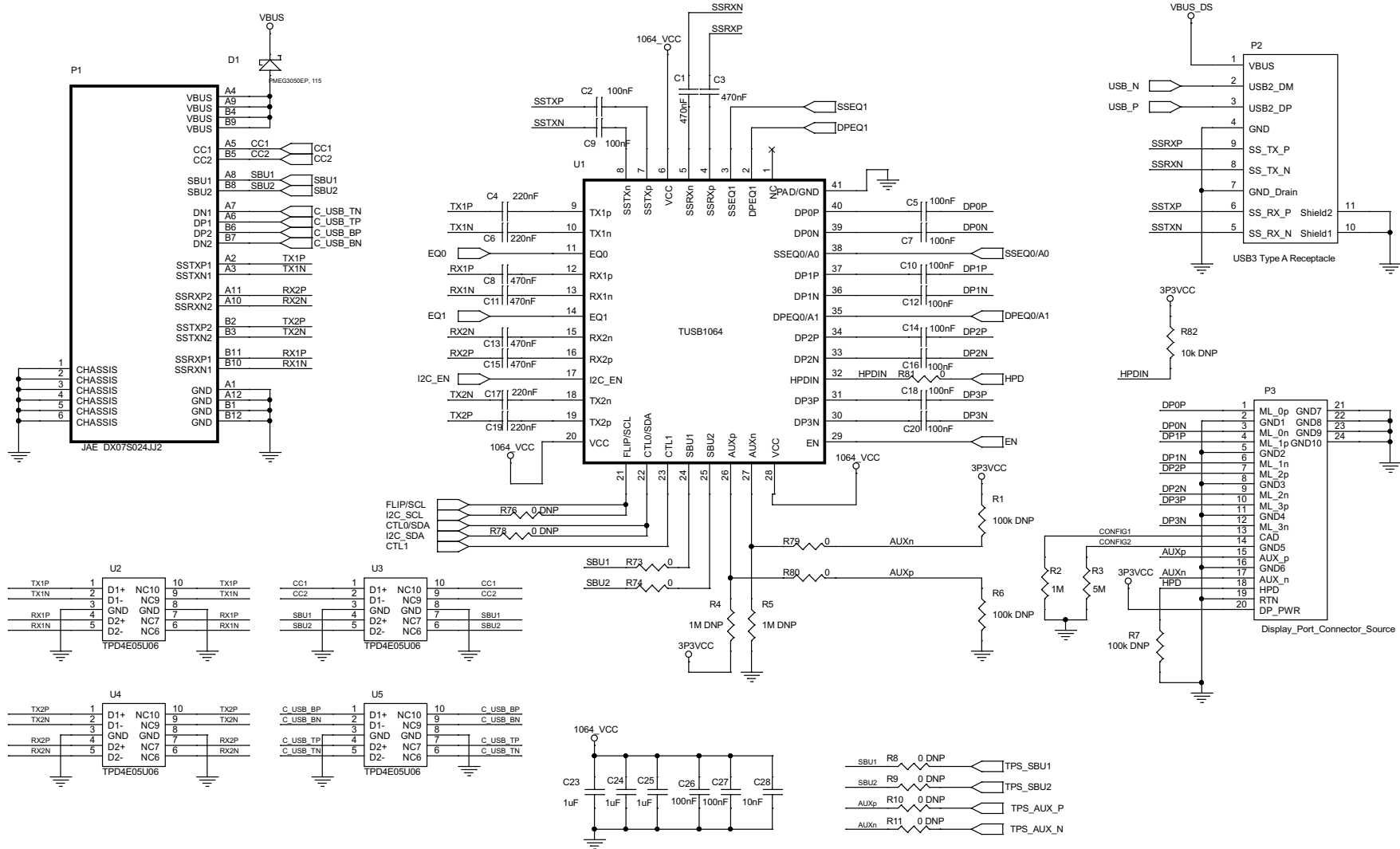
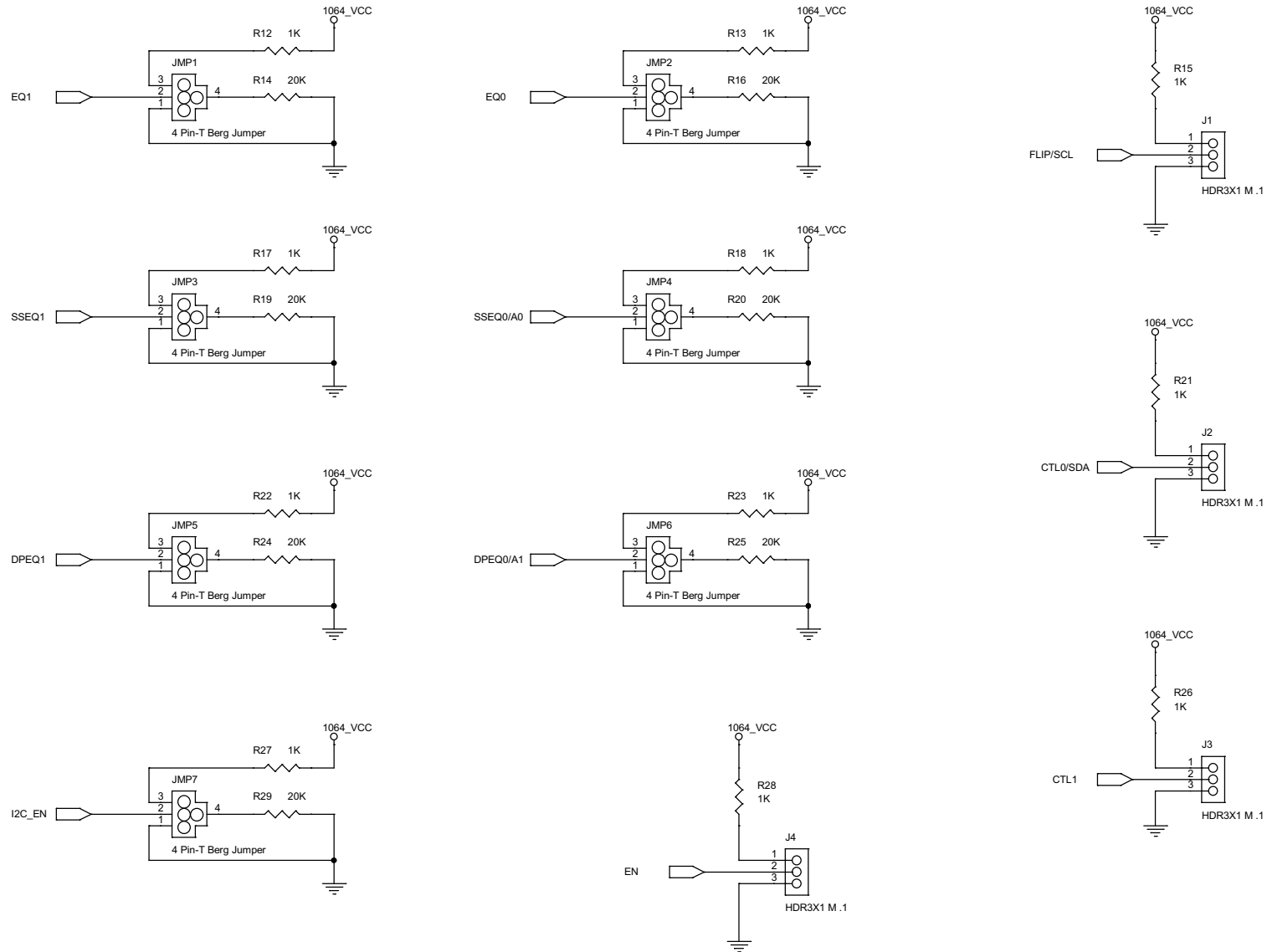
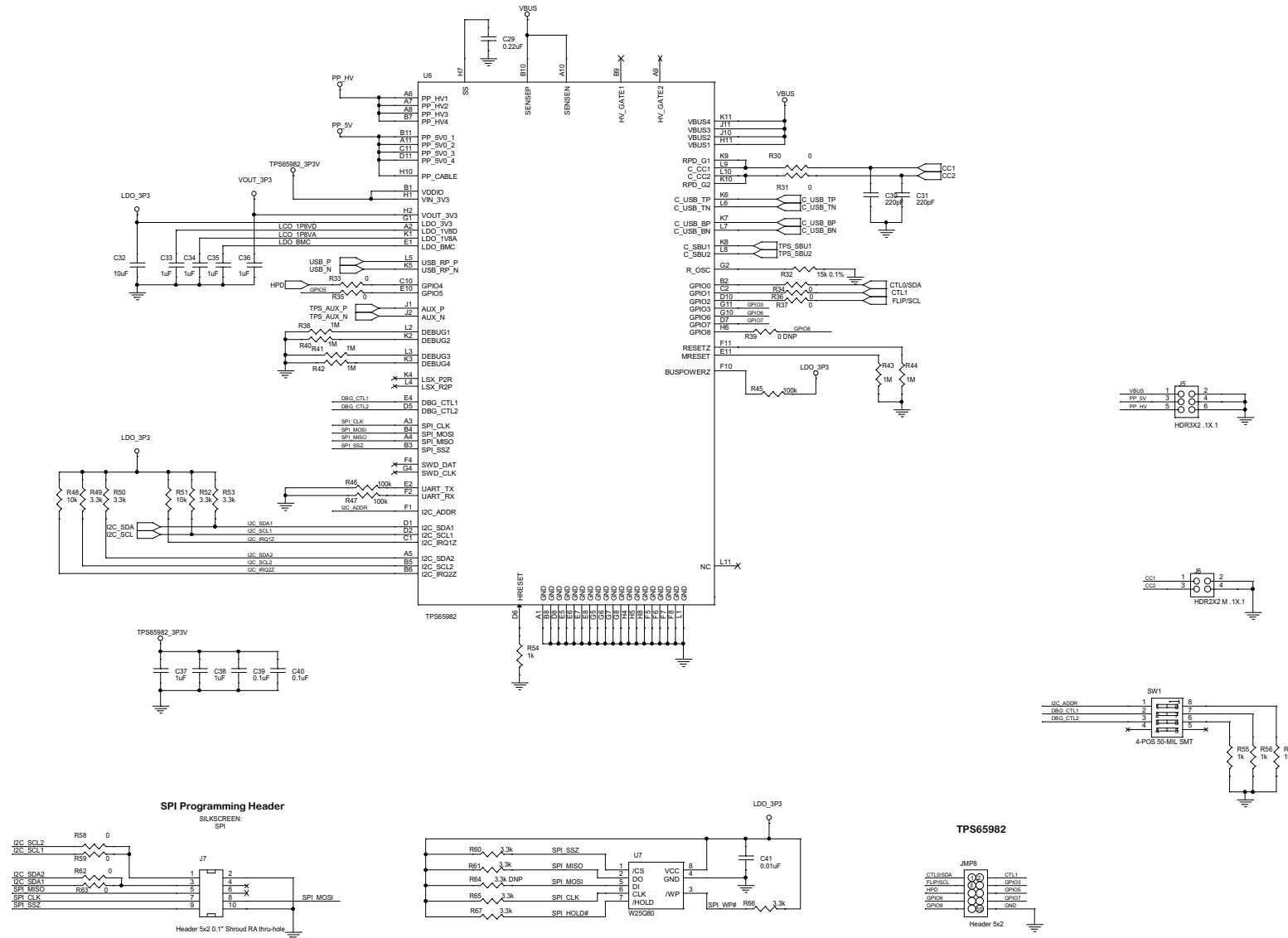


Figure 3. TUSB1064RNQEVM Schematics (1/4)



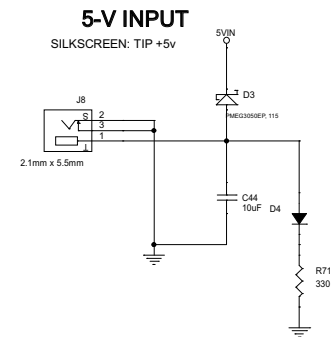
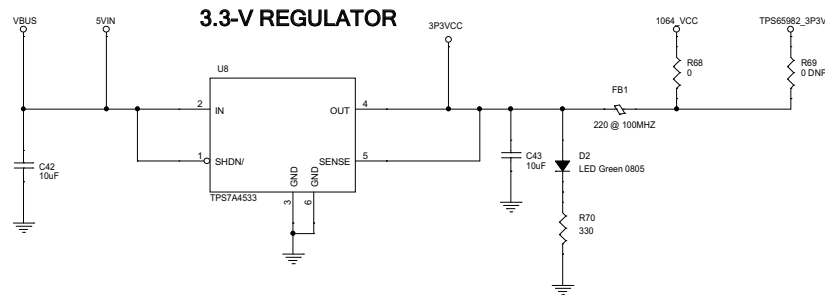
Copyright © 2017, Texas Instruments Incorporated

Figure 4. TUSB1064RNQEVM Schematics (2/4)

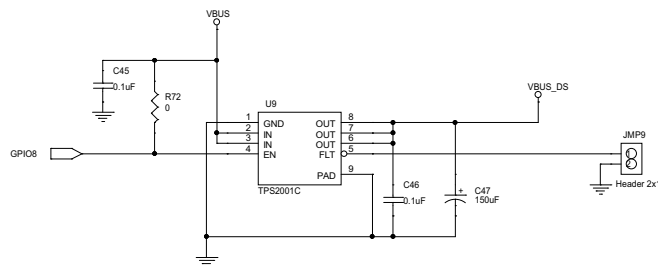


Copyright © 2017, Texas Instruments Incorporated

Figure 5. TUSB1064RNQEVM Schematics (3/4)



DOWNSTREAM PORT POWER SWITCH



Copyright © 2017, Texas Instruments Incorporated

Figure 6. TUSB1064RNQEVM Schematics (4/4)

4 Bill of Materials

Table 5 lists the TUSB1064RNQEVM bill of materials (BOM).

Table 5. BOM

Item	Quantity	Reference	Part	Footprint	Manufacturer	Part Number	Description
1	6	C1, C3, C8, C11, C13, C15	470 nF	c0201	Murata	GRM033R60J474KE90D	Capacitor ceramic, 0.47 μ F, 6.3 V, X5R, 0201
2	10	C2, C5, C7, C9, C10, C12, C14, C16, C18, C20	100 nF	c0201	Murata	GRM033R61A104KE15D	Capacitor ceramic, 0.1 μ F, 10 V, X5R, 0201
3	4	C4, C6, C17, C19	220 nF	c0201	Murata	GRM033R60G224ME15D	Capacitor ceramic, 0.22 μ F, 4 V, X5R, 0201
4	9	C23, C24, C25, C33, C34, C35, C36, C37, C38	1 μ F	c0402	Murata	GRM155R60J105ME19D	Capacitor ceramic, 1 μ F, 6.3 V, X5R, 0402
5	2	C26, C27	100 nF	c0402	Murata	GRM155R61A104KA01D	Capacitor ceramic, 0.1 μ F, 10 V, X5R, 0402
6	1	C28	10 nF	c0402	Murata	GRM155R71C103KA01D	Capacitor ceramic, 10000 pF, 16 V, X7R, 0402
7	1	C29	0.22 μ F	c0402	Murata	GRM152R61A224KE19D	Capacitor ceramic, 0.22 μ F, 10 V, X5R, 0402
8	2	C30, C31	220 pF	c0402	Murata	GRM1555C1H221JA01D	Capacitor ceramic, 220 pF, 50 V, C0G/NP0, 0402
9	1	C32	10 μ F	c0603	Murata	GRM188R61C106MA73D	GRM188R61C106MA73D
10	4	C39, C40, C45, C46	0.1 μ F	c0402	Murata	GRM155R61A104KA01D	Capacitor ceramic, 0.1 μ F, 10 V, X5R, 0402
11	1	C41	0.01 μ F	c0402	Murata	GRM155R71C103KA01D	GRM155R71C103KA01D
12	3	C42, C43, C44	10 μ F	c1206	Murata	GRM319R61E106KA12D	Capacitor ceramic, 10 μ F, 25 V, X5R, 1206
13	1	C47	150 μ F, DNI	7343	Murata	GRM31CR60J157ME11L	Capacitor ceramic, 150 μ F, 6.3 V, X5R, 1206
14	1	D1	SCHOTTKY	diode_smb	NXP	PMEG3050EP, 115	DIODE SCHOTTKY 30 V, 5 A, SOD128
15	2	D2, D4	LED green 0805	805	Lumex	LTST-C170KGKT	LED green clear, 0805, SMD
16	1	D3	SCHOTTKY	DO-214AA	Nexperia	PMEG3050EP, 115	DIODE SCHOTTKY, 30 V, 5 A, SOD128
17	1	FB1	220 at 100 MHz	fb_0603	MuRata	BLM18EG221SN1D	FERRITE BEAD, 220 Ω , 0603, 1LN
18	7	JMP1, JMP2, JMP3, JMP4, JMP5, JMP6, JMP7	4 pin-T Berg jumper	berg2x3tee	AMP	68000-103HLF	BERGSTIK II .100" SR STRAIGHT
	7	JMP1, JMP2, JMP3, JMP4, JMP5, JMP6, JMP7	4 pin-T Berg jumper	berg2x3tee	AMP	68000-101HLF	BERGSTIK II .100" SR STRAIGHT
19	1	JMP8	Header 5 x 2	HDR_THVT_2x5_100	FCI	68021-210HLF	Connector Header, 10 POS., 100 R/A, 15AU

Table 5. BOM (continued)

Item	Quantity	Reference	Part	Footprint	Manufacturer	Part Number	Description
20	1	JMP9	Header 2 × 1	HDR_THVT_1x2_100	Amphenol FCI	77311-118-02LF	Connector Header, 2 POS, VERT, T/H
21	4	J1, J2, J3, J4	Header 3 × 1	M .1 HDR_THVT_1x3_100_M	3M	961103-6404-AR	Connector Header, VERT, SGL, 3POS, GOLD
22	1	J5	Header 3 × 2 .1 × .1	HDR_THVT_2x3_100_M	Harwin	M20-9980345	DIL vertical PC tail pin header
23	1	J6	Header 2 × 2 M .1 × .1	HDR_THVT_2x2_100	Amphenol FCI	67997-404HLF	Connector header, 4 POS., 100 STR TIN
24	1	J7	Header 5 × 2 0.1" Shroud RA thru-hole	HDR_THRT_2X5_100	Amphenol FCI	67997-410HLF	Connector header, 10 POS., 100 STR TIN
25	1	J8	2.1 mm × 5.5 mm	PJ-202AH	CUI Inc.	PJ-202AH	Connector power jack, 2 × 5.5 mm, KINKED PIN
26	1	P1	JAE DX07B024JJ2	USB-C_SMRT_DX07B024JJ2	JAE	DX07B024JJ2	Connector Receptacle, USB 3.1, TYPE-C, BRD EDGE
27	1	P2	USB3 Type-A Receptacle	USB3_TYPEA	TE Connectivity	1932258-1	Connector Receptacle, USB 3.0 STD-A, BLUE
28	1	P3	Display_Port_Connector_Source	CON_DP_SD-47272-001	Molex Inc	472720001	Connector Receptacle, 20 POS., UDI, R/A, SMD
29	3	R1, R6, R7	100 k DNP	r0402	Panasonic Electronic Components	ERJ-2GEJ104X	ERJ-2GEJ104X
30	7	R2, R38, R40, R41, R42, R43, R44	1 M	r0402	Panasonic Electronic Components	ERJ-2GEJ105X	Resistor, SMD 1M Ω 5% 1/10W 0402
31	1	R3	5 M	r0402	Ohmite	HVC0402T5004JET	Resistor, SMD 5M Ω 5% 1/20W 0402
32	2	R4, R5	1 M DNP	r0402	Panasonic Electronic Components	ERJ-2GEJ105X	Resistor, SMD 1M Ω 5% 1/10W 0402
33	7	R8, R9, R10, R11, R39, R76, R78	0 DNP	r0402	Panasonic Electronic Components	ERJ-2GE0R00X	Resistor, SMD 0 Ω JUMPER 1/10W 0402
34	15	R12, R13, R15, R17, R18, R21, R22, R23, R26, R27, R28, R54, R55, R56, R57	1 k	r0402	Panasonic Electronic Components	ERJ-2GEJ102X	Resistor, SMD 1K Ω 5% 1/10W 0402
35	7	R14, R16, R19, R20, R24, R25, R29	20 K	r0402	Panasonic Electronic Components	ERJ-2GEJ203X	Resistor, SMD 20K Ω 5% 1/10W 0402
36	2	R30, R31	0	r0201	Panasonic Electronic Components	ERJ-1GN0R00C	Resistor, SMD 0 Ω JUMPER 1/20W 0201
37	1	R32	15 k 0.1%	r0402	Panasonic Electronic Components	ERA-2AEB153X	Resistor, SMD 15K Ω 0.1% 1/16W 0402

Table 5. BOM (continued)

Item	Quantity	Reference	Part	Footprint	Manufacturer	Part Number	Description
38	7	R33, R35, R73, R74, R79, R80, R81	0	r0402	Panasonic Electronic Components	ERJ-2GE0R00X	Resistor, SMD 0 Ω JUMPER 1/10W 0402
39	8	R34, R36, R37, R58, R59, R62, R63, R72	0	r0402	Panasonic Electronic Components	ERJ-2GE0R00X	Resistor, SMD 0 Ω JUMPER 1/10W 0402
40	3	R45, R46, R47	100 k	r0402	Panasonic Electronic Components	ERJ-2GEJ104X	Resistor, SMD 100K Ω 5% 1/10W 0402
41	2	R48, R51	10 k	r0402	Panasonic Electronic Components	ERJ-2GEJ103X	Resistor, SMD 10K Ω 5% 1/10W 0402
42	9	R49, R50, R52, R53, R60, R61, R65, R66, R67	3.3 k	r0402	Panasonic Electronic Components	ERJ-2GEJ332X	Resistor, SMD 3.3K Ω 5% 1/10W 0402
43	1	R64	3.3 k DNP	r0402	Panasonic Electronic Components	ERJ-2GEJ332X	Resistor, SMD 3.3K Ω 5% 1/10W 0402
44	1	R68	0	r1206	Panasonic Electronic Components	ERJ-8GEY0R00V	Resistor, SMD 0 Ω JUMPER 1/4W 1206
45	1	R69	0 DNP	r1206	Panasonic Electronic Components	ERJ-8GEY0R00V	Resistor, SMD 0 Ω JUMPER 1/4W 1206
46	2	R70, R71	330	r0402	Panasonic Electronic Components	ERJ-2GEJ331X	Resistor, SMD 330 Ω 5% 1/10W 0402
49	1	R82	10 k DNP	r0402	Panasonic Electronic Components	ERJ-2GEJ103X	Resistor, SMD 10K Ω 5% 1/10W 0402
50	1	SW1	4-POS. 50-MIL SMT	sw_smvt_dip_4pos_8	C&K (ITT-CANNON)	TDA04H0SB1R	Switch slide dip, SPST, 25 MA, 24 V
51	1	U1	TUSB1064RNQ	RNQ0040A	Texas Instruments	TUSB1064	Provided by TI
52	4	U2, U3, U4, U5	TPD4E05U06	DQA	Texas Instruments	TPD4E05U06DQAR	TVS DIODE, 5.5VWM, 14VC, 10SON
53	1	U6	TPS65983	ZQZ_BGA_96	Texas Instruments	TPS65983ACZQZR	IC, PD, CTRLR, USB, TYPE-C, 96BGA
54	1	U7	W25Q80	SOIC_8_197x157_50	WINBOND	W25Q80DVSNIG	IC, FLASH, 8 mbit, 104 MHz, 8SOIC
55	1	U8	TPS7A4533	DCQ_PDSO_6	Texas Instruments	TPS7A4533DCQR	IC, REG, LINEAR, 3.3 V, 1.5 A, SOT223-6
56	1	U9	TPS2001C	DGN_PDSO_8	Texas Instruments	TPS2001CDGN	IC, PWR, SW, USB, 2.87 A, 1CH, 8MSOP
57	1	Label	"HSDC025-002"			Any	Sticket text: HSDC025-002 Rev A

IMPORTANT NOTICE FOR TI DESIGN INFORMATION AND RESOURCES

Texas Instruments Incorporated ("TI") technical, application or other design advice, services or information, including, but not limited to, reference designs and materials relating to evaluation modules, (collectively, "TI Resources") are intended to assist designers who are developing applications that incorporate TI products; by downloading, accessing or using any particular TI Resource in any way, you (individually or, if you are acting on behalf of a company, your company) agree to use it solely for this purpose and subject to the terms of this Notice.

TI's provision of TI Resources does not expand or otherwise alter TI's applicable published warranties or warranty disclaimers for TI products, and no additional obligations or liabilities arise from TI providing such TI Resources. TI reserves the right to make corrections, enhancements, improvements and other changes to its TI Resources.

You understand and agree that you remain responsible for using your independent analysis, evaluation and judgment in designing your applications and that you have full and exclusive responsibility to assure the safety of your applications and compliance of your applications (and of all TI products used in or for your applications) with all applicable regulations, laws and other applicable requirements. You represent that, with respect to your applications, you have all the necessary expertise to create and implement safeguards that (1) anticipate dangerous consequences of failures, (2) monitor failures and their consequences, and (3) lessen the likelihood of failures that might cause harm and take appropriate actions. You agree that prior to using or distributing any applications that include TI products, you will thoroughly test such applications and the functionality of such TI products as used in such applications. TI has not conducted any testing other than that specifically described in the published documentation for a particular TI Resource.

You are authorized to use, copy and modify any individual TI Resource only in connection with the development of applications that include the TI product(s) identified in such TI Resource. NO OTHER LICENSE, EXPRESS OR IMPLIED, BY ESTOPPEL OR OTHERWISE TO ANY OTHER TI INTELLECTUAL PROPERTY RIGHT, AND NO LICENSE TO ANY TECHNOLOGY OR INTELLECTUAL PROPERTY RIGHT OF TI OR ANY THIRD PARTY IS GRANTED HEREIN, including but not limited to any patent right, copyright, mask work right, or other intellectual property right relating to any combination, machine, or process in which TI products or services are used. Information regarding or referencing third-party products or services does not constitute a license to use such products or services, or a warranty or endorsement thereof. Use of TI Resources may require a license from a third party under the patents or other intellectual property of the third party, or a license from TI under the patents or other intellectual property of TI.

TI RESOURCES ARE PROVIDED "AS IS" AND WITH ALL FAULTS. TI DISCLAIMS ALL OTHER WARRANTIES OR REPRESENTATIONS, EXPRESS OR IMPLIED, REGARDING TI RESOURCES OR USE THEREOF, INCLUDING BUT NOT LIMITED TO ACCURACY OR COMPLETENESS, TITLE, ANY EPIDEMIC FAILURE WARRANTY AND ANY IMPLIED WARRANTIES OF MERCHANTABILITY, FITNESS FOR A PARTICULAR PURPOSE, AND NON-INFRINGEMENT OF ANY THIRD PARTY INTELLECTUAL PROPERTY RIGHTS.

TI SHALL NOT BE LIABLE FOR AND SHALL NOT DEFEND OR INDEMNIFY YOU AGAINST ANY CLAIM, INCLUDING BUT NOT LIMITED TO ANY INFRINGEMENT CLAIM THAT RELATES TO OR IS BASED ON ANY COMBINATION OF PRODUCTS EVEN IF DESCRIBED IN TI RESOURCES OR OTHERWISE. IN NO EVENT SHALL TI BE LIABLE FOR ANY ACTUAL, DIRECT, SPECIAL, COLLATERAL, INDIRECT, PUNITIVE, INCIDENTAL, CONSEQUENTIAL OR EXEMPLARY DAMAGES IN CONNECTION WITH OR ARISING OUT OF TI RESOURCES OR USE THEREOF, AND REGARDLESS OF WHETHER TI HAS BEEN ADVISED OF THE POSSIBILITY OF SUCH DAMAGES.

You agree to fully indemnify TI and its representatives against any damages, costs, losses, and/or liabilities arising out of your non-compliance with the terms and provisions of this Notice.

This Notice applies to TI Resources. Additional terms apply to the use and purchase of certain types of materials, TI products and services. These include; without limitation, TI's standard terms for semiconductor products (<http://www.ti.com/sc/docs/stdterms.htm>), [evaluation modules](#), and [samples](http://www.ti.com/sc/docs/sampterm.htm) (<http://www.ti.com/sc/docs/sampterm.htm>).

Mailing Address: Texas Instruments, Post Office Box 655303, Dallas, Texas 75265
Copyright © 2018, Texas Instruments Incorporated