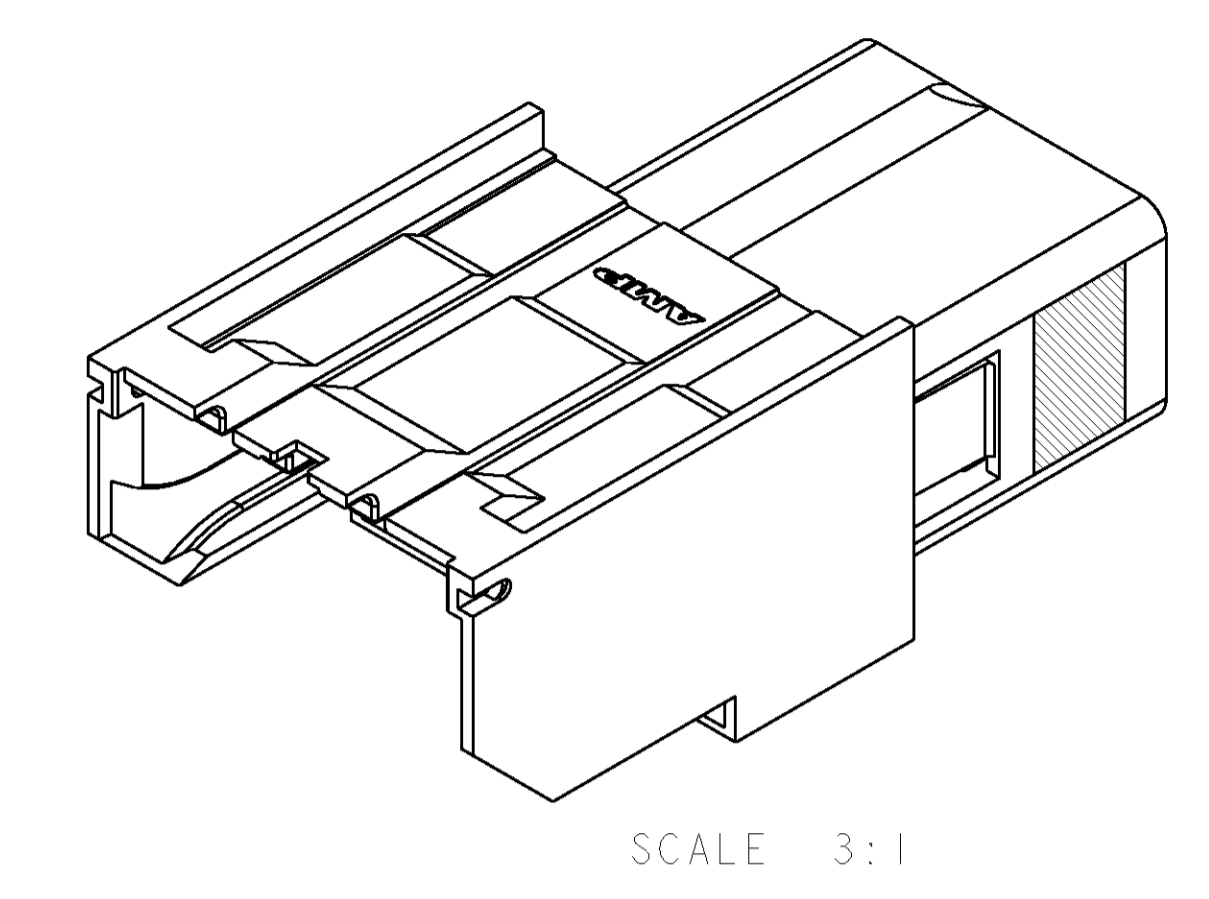
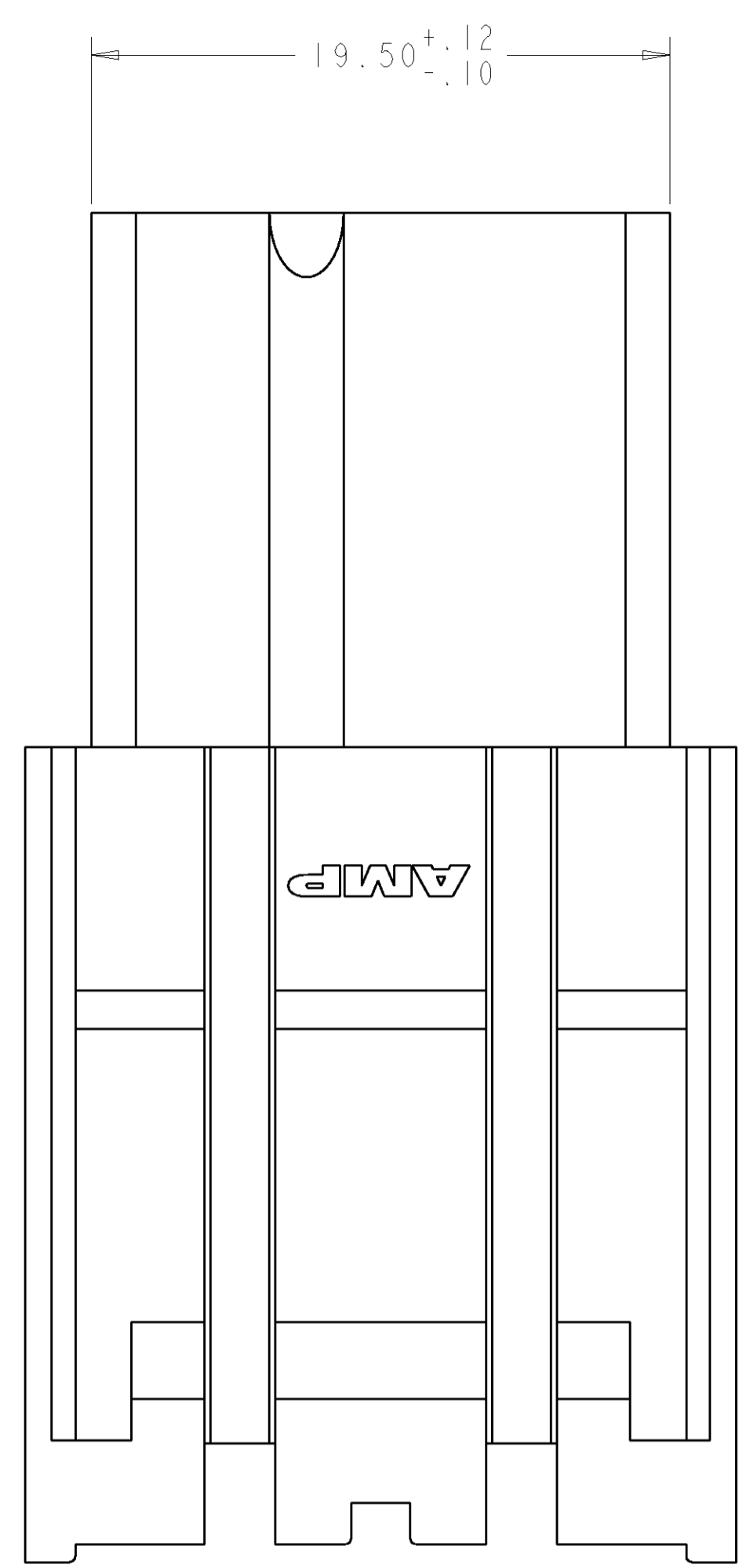
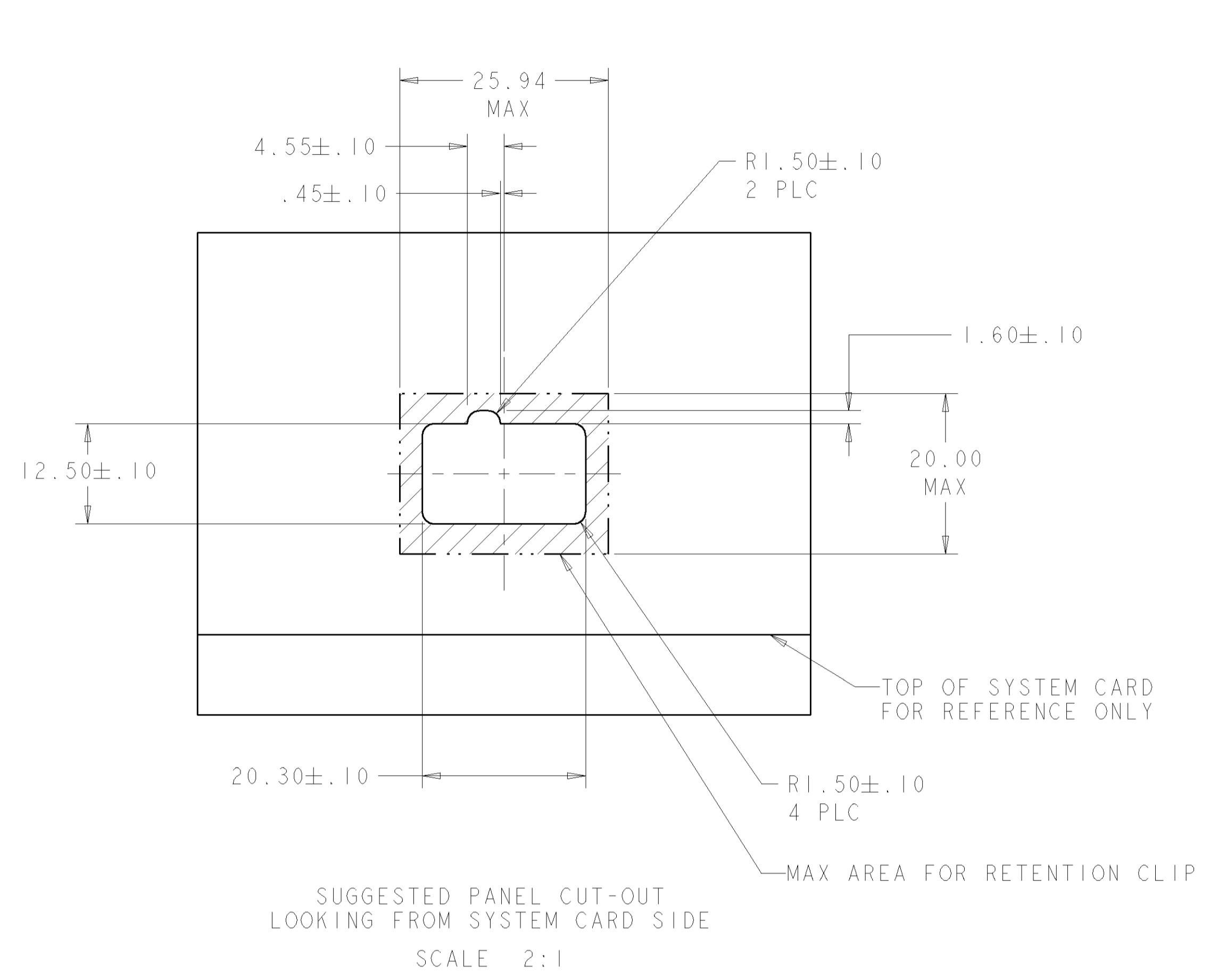
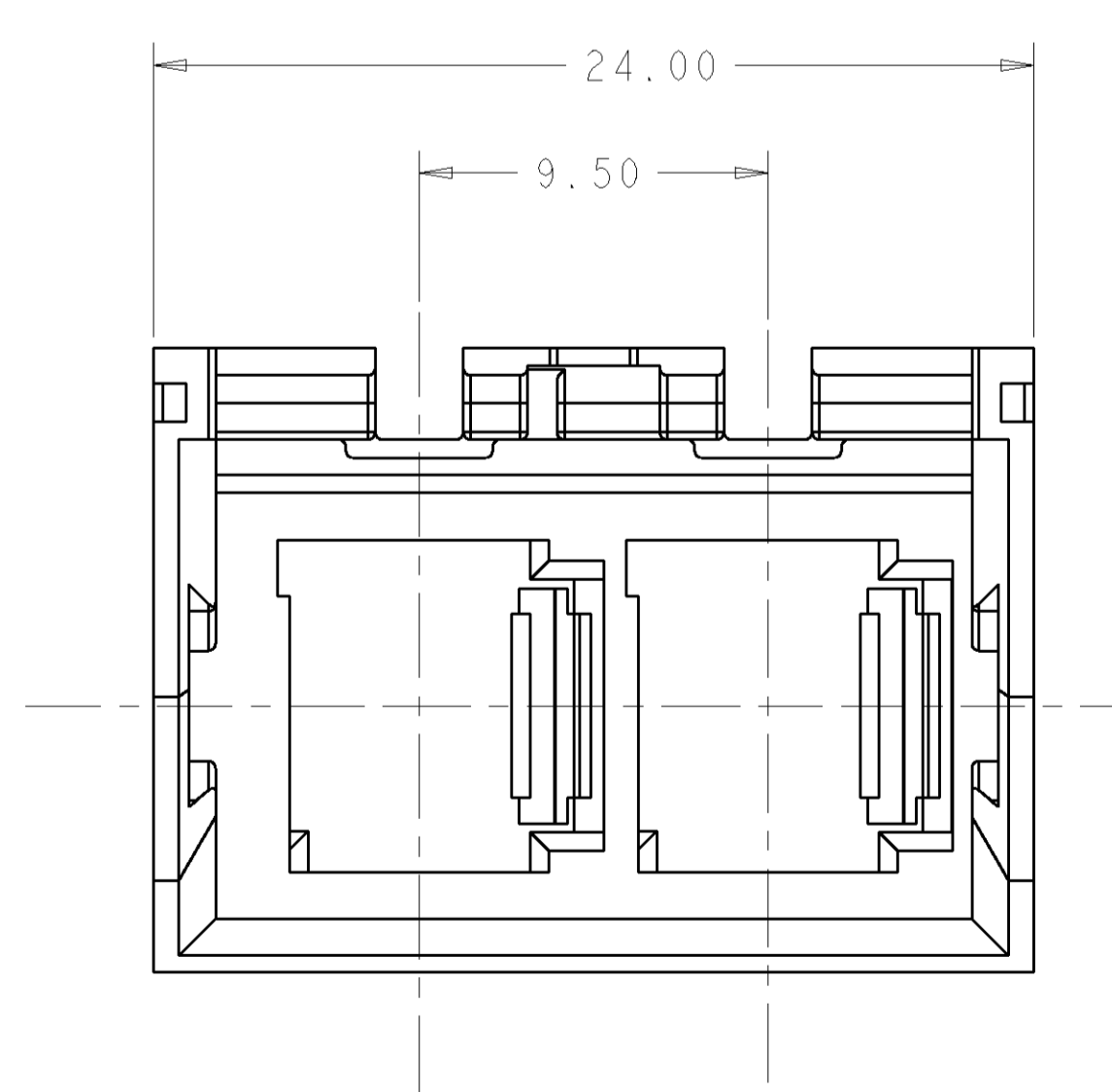
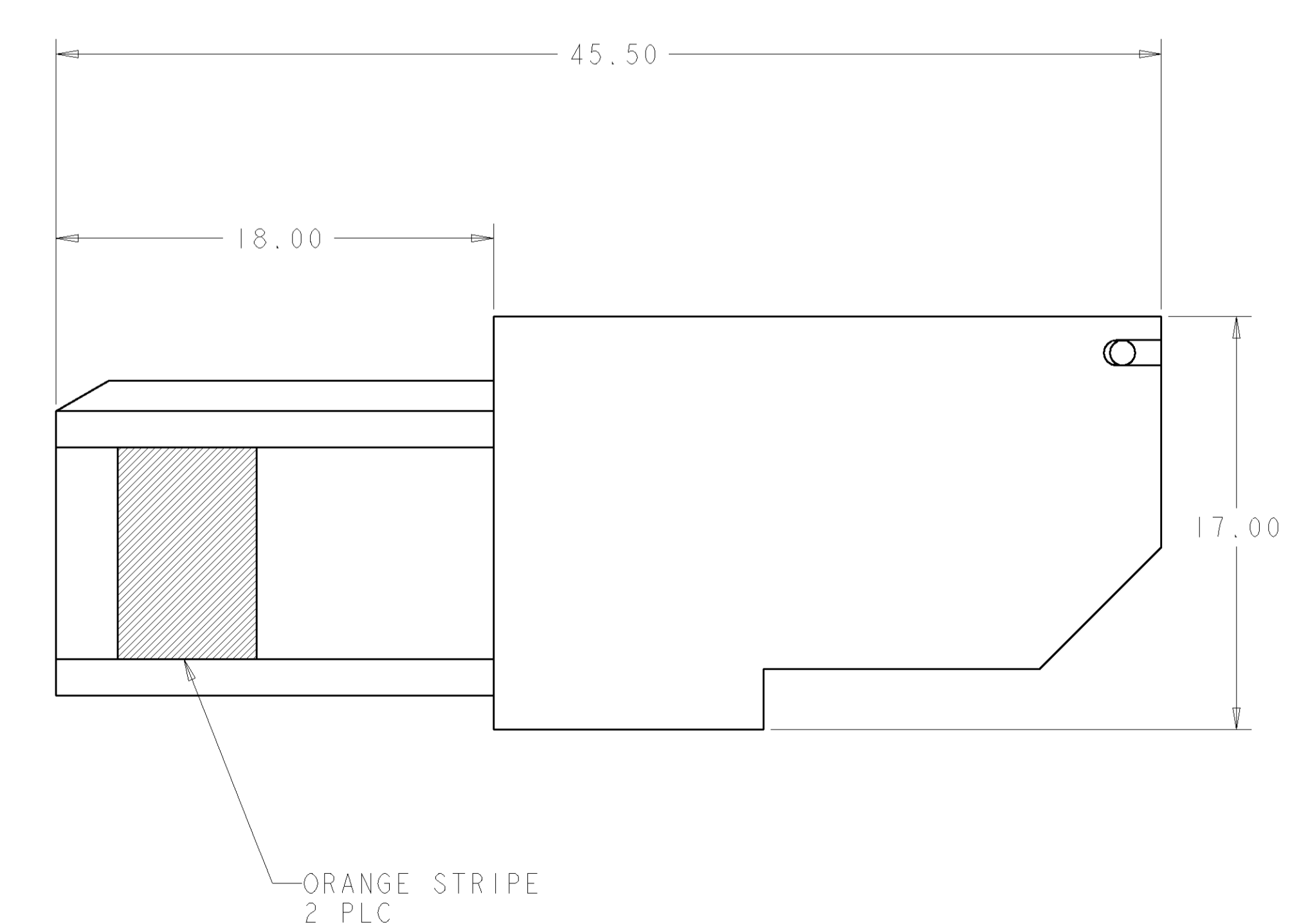
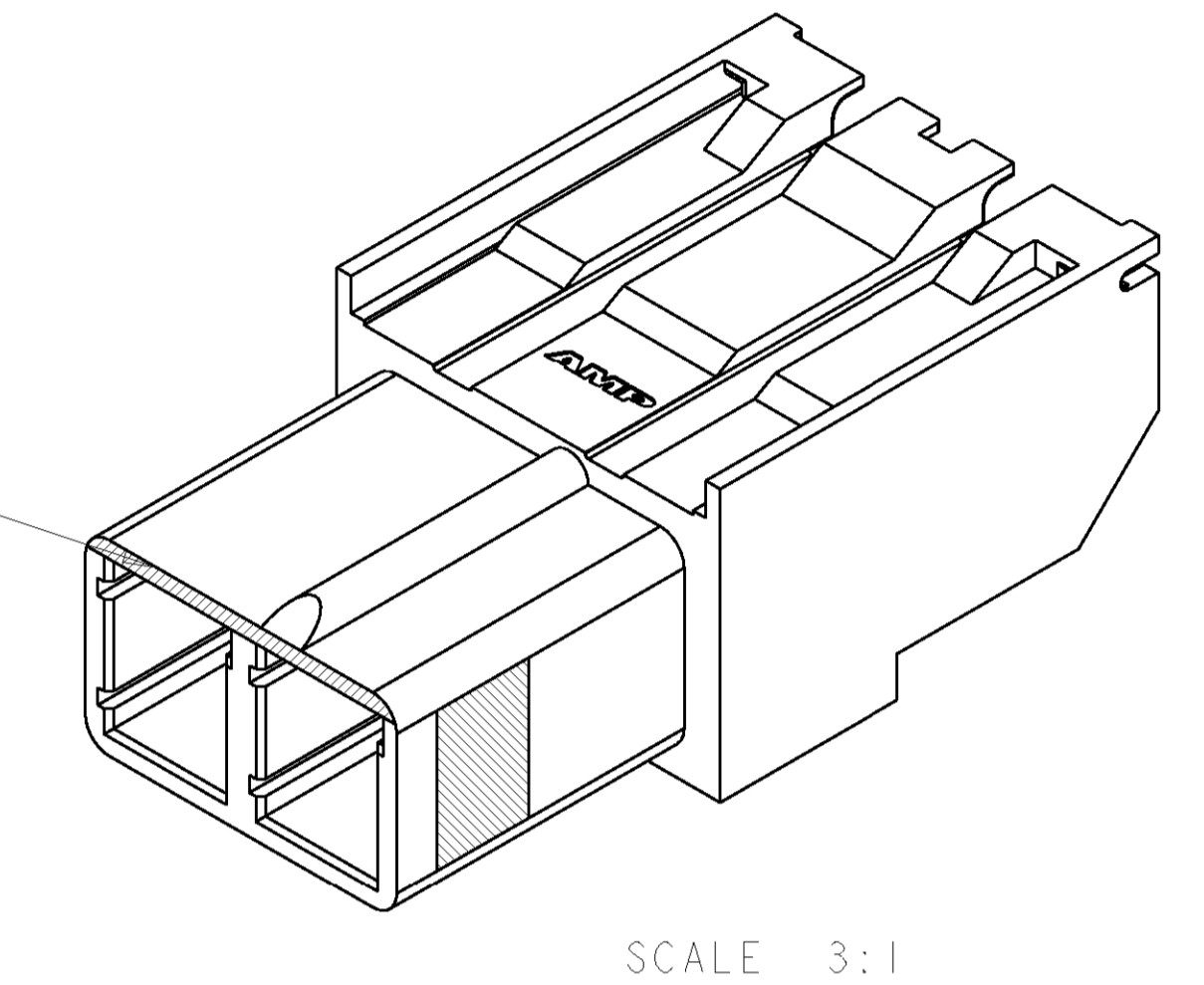


LOC	DIST	REVISIONS					
		P	LTR	DESCRIPTION	DATE	DWN	APVD
CE	17	D		REVISED PER EC 0A00-0966-01	09DEC01	EB	AP



WHITE STRIPE FOR CONNECTOR ORIENTATION



- NOTES:**
- MATERIAL: PBT, 30% GLASS FILLED.
 - HOUSING DESIGNED TO BE INSTALLED WITH RETENTION CLIP P/N 1278530-2, USING SEATING TOOL, P/N 1278945-4 AND MOTHERBOARD SUPPORT, P/N 1278944-3. REFER TO INSTRUCTION SHEET 408-8332.

1374490-1
 PART NUMBER

<small>THE INFORMATION CONTAINED HEREIN IS UNCLASSIFIED EXCEPT WHERE SHOWN OTHERWISE. IT IS THE POLICY OF TICO ELECTRONICS CORPORATION TO MAKE THIS INFORMATION AVAILABLE TO THE PUBLIC WITHOUT CHARGE.</small>		DWN E. HALEY	IJAN01	AMP Tyco Electronics Harrisburg, PA 17105-3608
<small>THIS DRAWING IS UNPUBLISHED. RELEASED FOR PUBLICATION BY TICO ELECTRONICS CORPORATION. ALL RIGHTS RESERVED.</small>		CHK L. BARKUS	IJAN01	
DIMENSIONS: mm		APVD L. BARKUS	IJAN01	NAME HOUSING, BACKPLANE, 1 X 2 VERTICAL, LIGHTRAY MPX
TOLERANCES UNLESS OTHERWISE SPECIFIED: 0 PLC ± .5 1 PLC ± .10 2 PLC ± .10 3 PLC ± .001 4 PLC ± .0001 ANGLES ±		PRODUCT SPEC		SIZE A
MATERIAL FINISH		APPLICATION SPEC		CAGE CODE 00779
		WEIGHT		DRAWING NO 1374490
		CUSTOMER DRAWING		RESTRICTED TO D
		SCALE	5:1	SHEET 1 OF 1