



MADE  
IN THE **USA**

### Product Description:

- Task Wipe Dispenser - Small
- Holds one box of task wipes
- Keyholes for wall mounting
- Clear PETG Plastic

### Primary Area for Product Usage:

- Any location where task wipes are needed

### Dispenses:

- Box(es) no larger than 5.00"W x 5.00"H x 3.00"D (12.7 cm x 12.7 cm x 7.6 cm)
- Box(es) no smaller than 3.50"W x 4.00"H x 2.50"D (8.9 cm x 10.2 cm x 6.4 cm)

### Package Specifications:

- Package Quantity: 6 per case
- 16"L x 12"W x 12"H (40.6 cm x 30.5 cm x 30.5 cm)
- 5.0 lbs (2.3 kg) - approximated

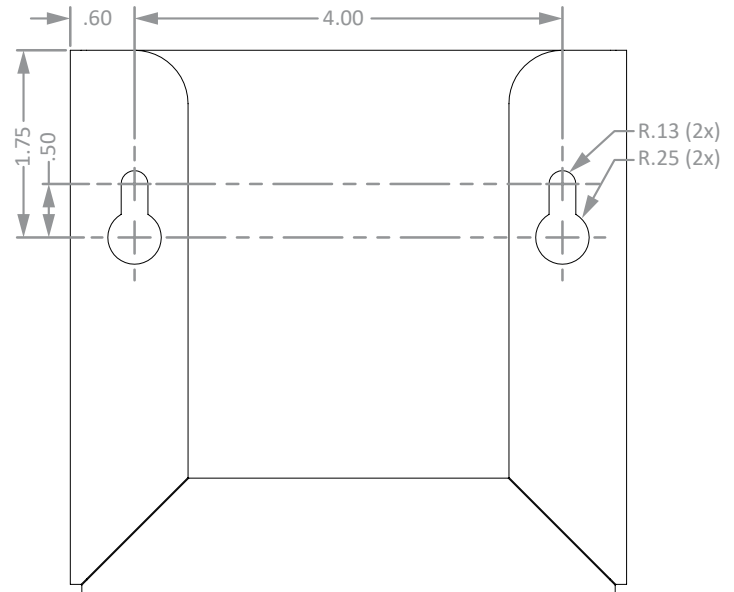
### Product Specifications (overall external dimensions):

- 5.20"W x 5.10"H x 3.20"D (13.2 cm x 13.0 cm x 8.1 cm)
- 0.3 lbs (0.1 kg) - approximated

### Mounting Specifications:

### Related Products (each sold separately):

- CL003-0111: Task Wipe Dispenser - Large (shown below)

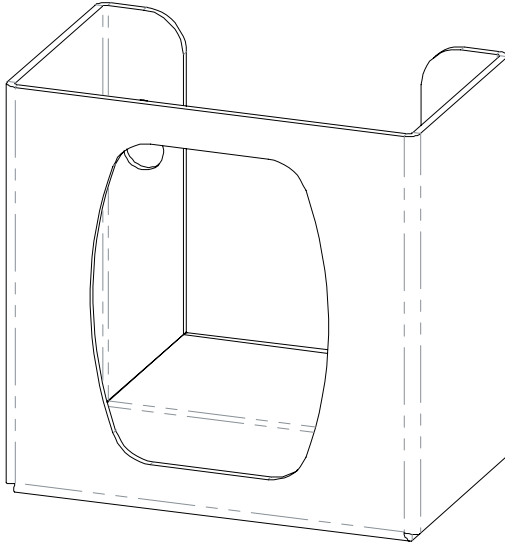




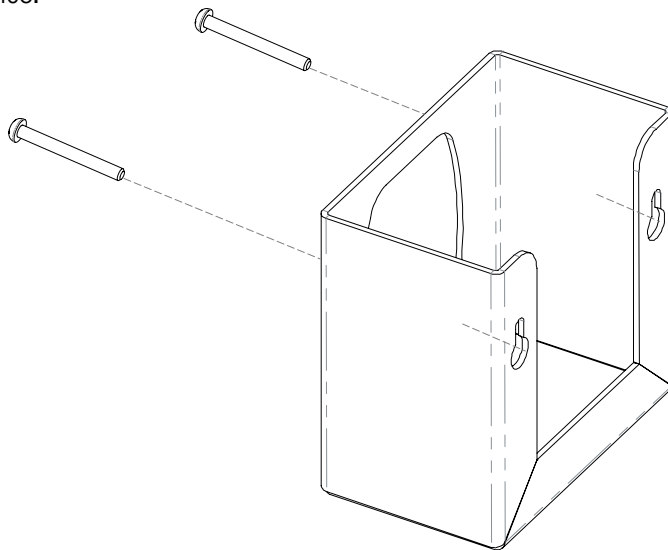
## Installation

Always mount dispensers securely *prior* to loading with product.

- Cutout in face will accommodate almost any dispensing perforation.

**1**

- Mount securely to a wall with screws approved and supplied by building maintenance.

**2**

### Parts included:

- Dispenser

### Tools Required:

- No tools required to assemble dispenser

## Care and Construction

PETG Plastic

### Material Characteristics

#### Designed for Long-Term Heavy-Duty Applications

Copolyester resin is designed for heavy-duty applications, and is used by BOWMAN® Dispensers. We never use acrylic in our products.

Copolyester (PETG) is typically 15-20 times tougher than general purpose acrylic. PETG is made to withstand handling and reduce losses due to breakage.

PETG resists a variety of chemicals and commonly used cleaning agents. It is tough and durable (not brittle), providing years of trouble-free functionality and long life.

Clear optical characteristics mean the viewer can see the content, read text, and see true colors through the material. It complies with FDA regulations for food contact.

### Care and Cleaning

Most cleaning chemicals do not weaken the surface or cause damage to the material. Suggested cleaning method is to use a soft cloth, warm water, and mild soap.