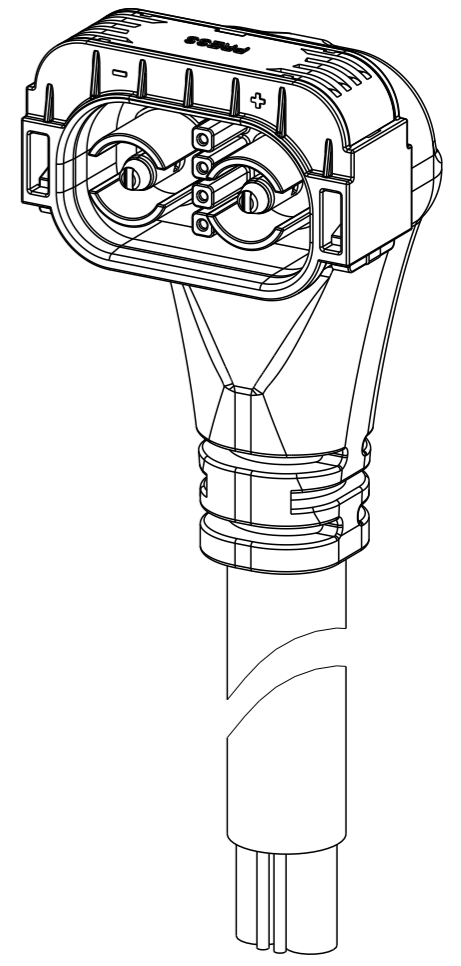
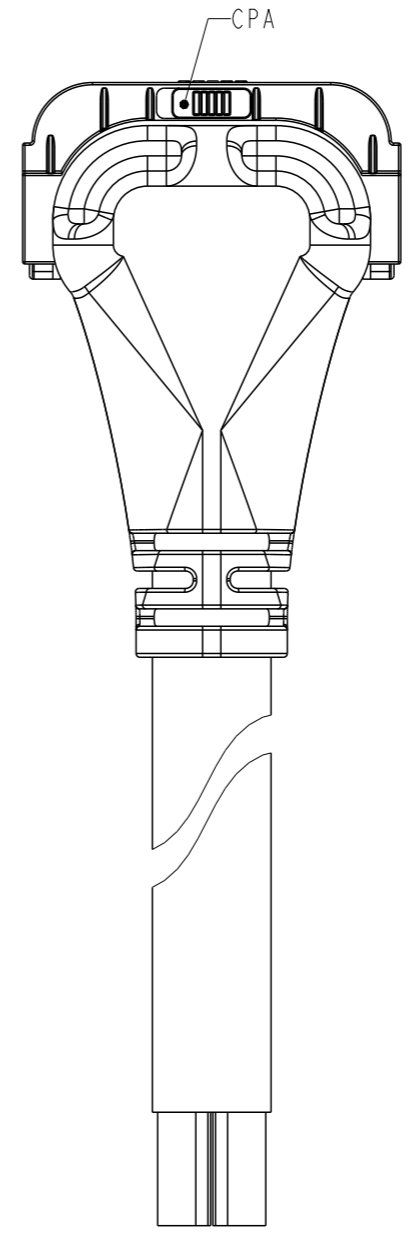
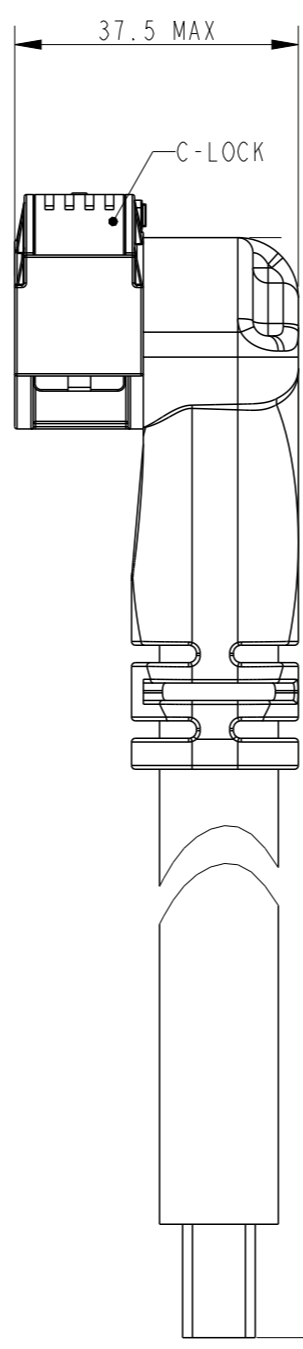
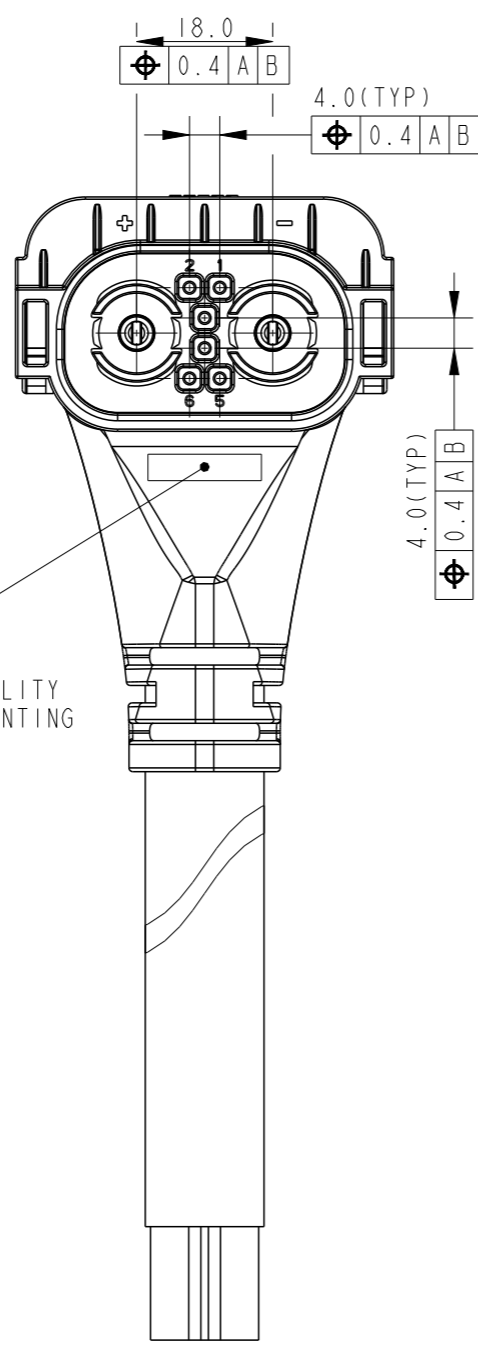
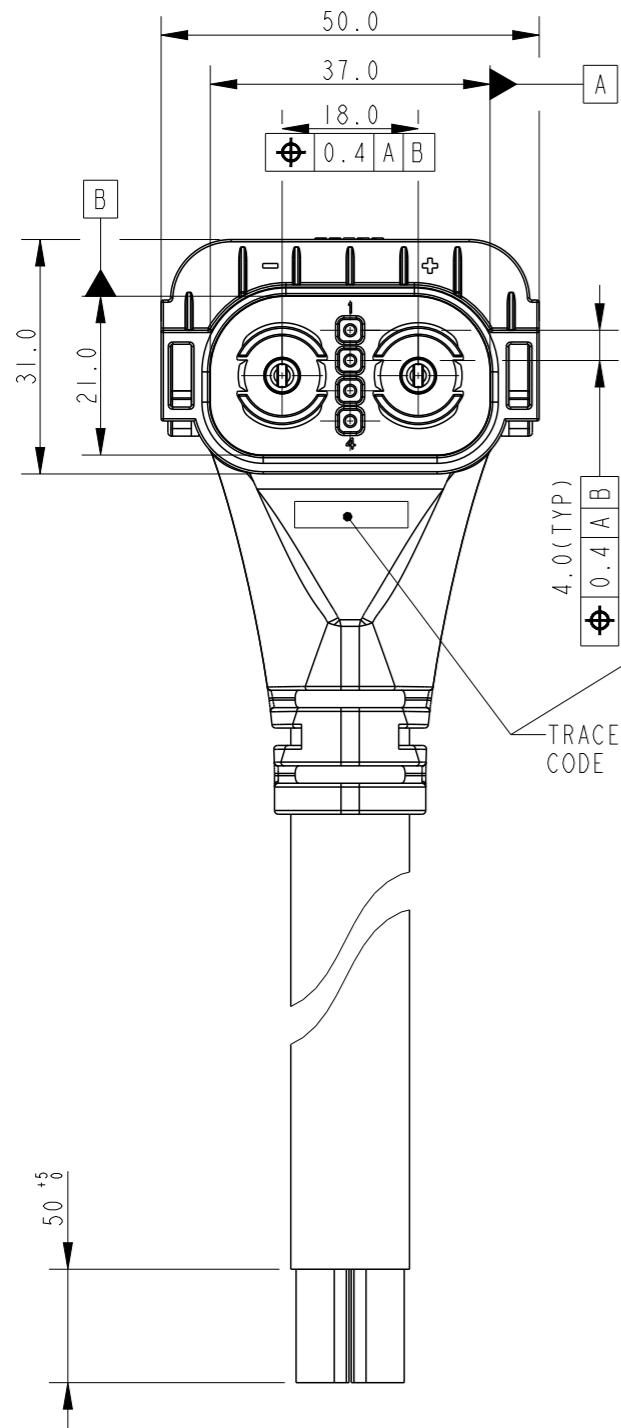


**AU10169534-X24XXLF**  
**2 POWER, 4 SIGNAL VARIANT**

**AU10169534-X26XXLF**  
**2 POWER, 6 SIGNAL VARIANT**



TRACEABILITY  
 CODE PRINTING

CABLE LENGTH TOLERANCE TABLE	
LENGTH	TOLERANCE
<= 0.3 M	+25 MM - 0 MM
> 0.3 M - 1.5 M	+50 MM - 0 MM
> 1.5 M - 3 M	+100 MM - 0 MM
> 3.0 M - 7.5 M	+ 150 MM - 0 MM

**Amphenol  
 FCI**

© 2020 Amphenol Corporation

ITEM	COLOR
CPA	YELLOW
C-LOCK	RED

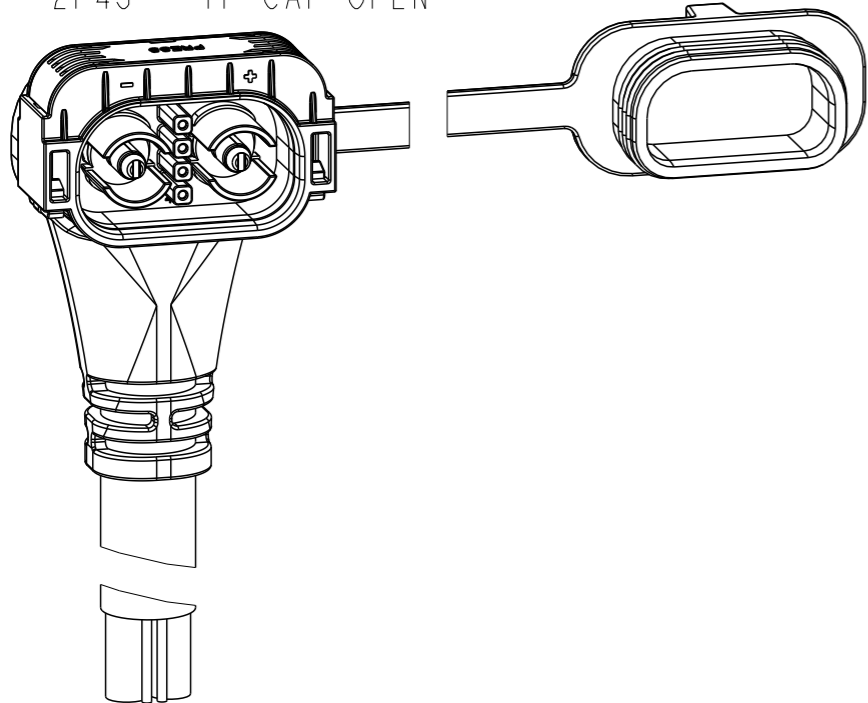
spec ref	dr	Prakash, Pravi	2022/12/30
tolerance std	eng	-	2023/03/31
ISO 406	chr	-	-
ISO 1101	appr	-	-
TOLERANCES UNLESS OTHERWISE SPECIFIED			
surface	linear	0.X	±0.5
		0.XX	±0.25
		0.XXX	±
ISO 1302	angular	0°	±°

projection	mm	size	A3	scale	1:1
product family	-	ecn no	-	rel level	<b>Preliminary</b>
<b>Amphenol                  FCI</b>	PLUG ASSEMBLY	dwg no	10169536	rev	<b>3</b>
amphenol-icc.com	DURAEV	cat. no.	-	Product - Customer Drw	sheet 1 of 4

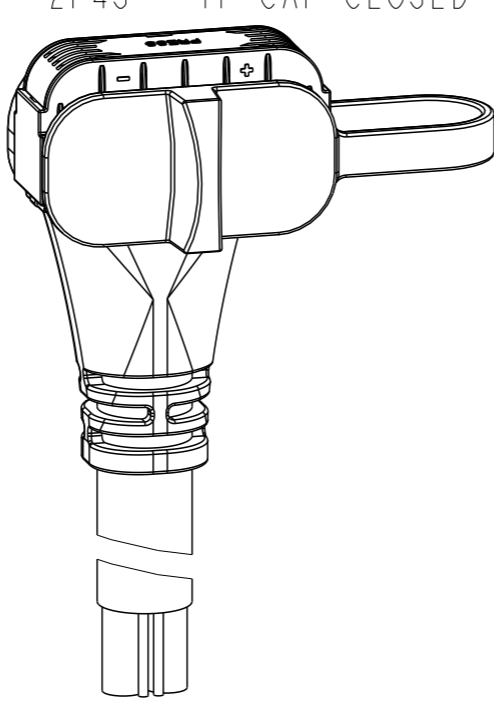
Creo File:ELX-WC-A3C.REV F.2020-12-21

For information only. This is a preliminary customer document that is subject to change without notice.

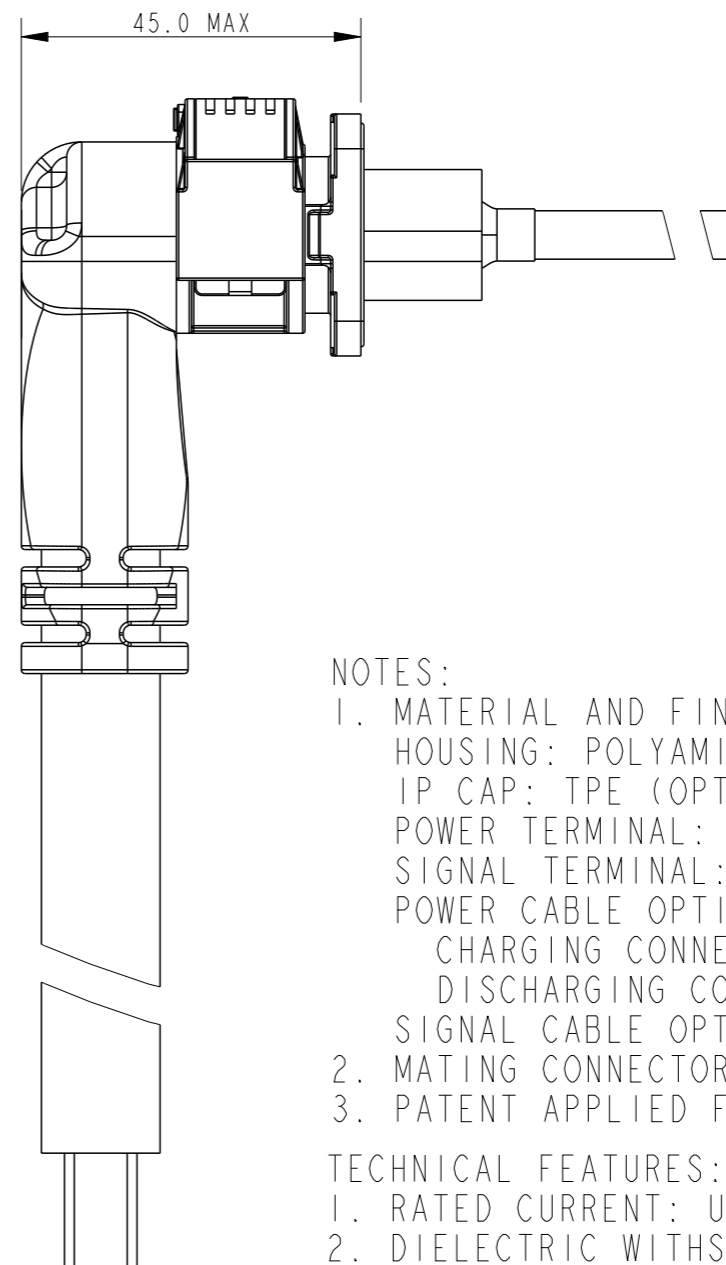
2P4S - IP CAP OPEN



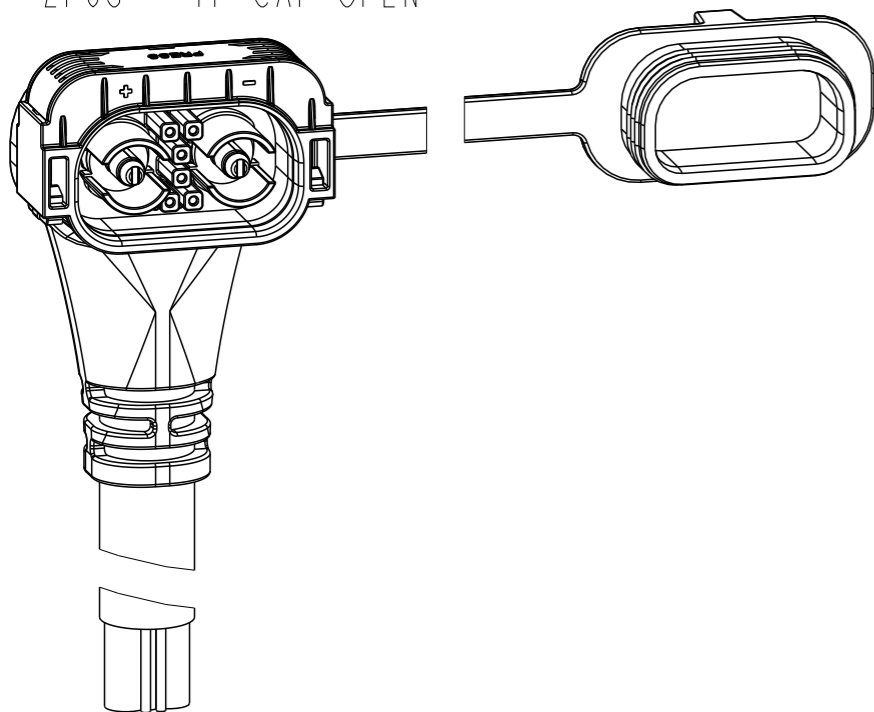
2P4S - IP CAP CLOSED



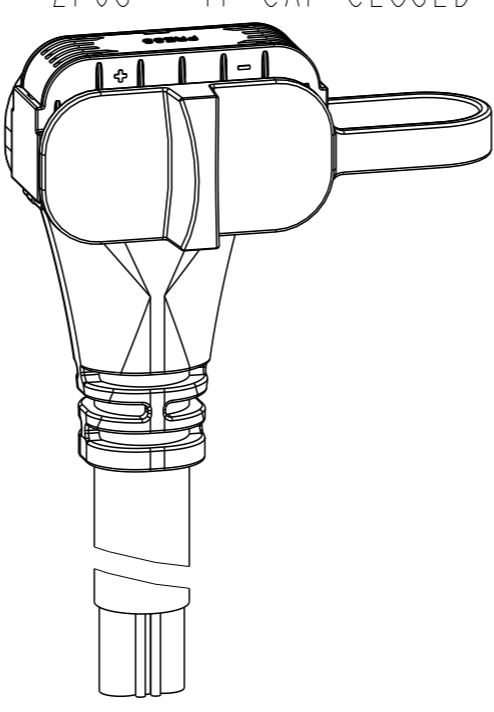
MATED CONDITION



2P6S - IP CAP OPEN



2P6S - IP CAP CLOSED



NOTES:

- 1. MATERIAL AND FINISH  
HOUSING: POLYAMIDE THERMOPLASTIC  
IP CAP: TPE (OPTIONAL)  
POWER TERMINAL: AG OVER CU ALLOY  
SIGNAL TERMINAL: AU OVER CU ALLOY  
POWER CABLE OPTIONS:  
    CHARGING CONNECTOR: 1.5/2.5 SQMM  
    DISCHARGING CONNECTOR: 10/16 SQMM  
SIGNAL CABLE OPTIONS: 0.35/0.50 SQMM
- 2. MATING CONNECTOR DRAWING: 10169537
- 3. PATENT APPLIED FOR.

TECHNICAL FEATURES:

- 1. RATED CURRENT: UPTO 70 A
- 2. DIELECTRIC WITHSTANDING VOLTAGE: 500 VDC
- 3. INSULATION RESISTANCE: >1 GΩ
- 4. FLAMMABILITY RATING: UL 94 V-0
- 5. DURABILITY: 10,000 MATING CYCLES
- 6. IP RATING: IP67, MATED & UNMATED (WITH IP CAP)
- 7. OPERATING TEMPERATURE: -20 TO 90 °C

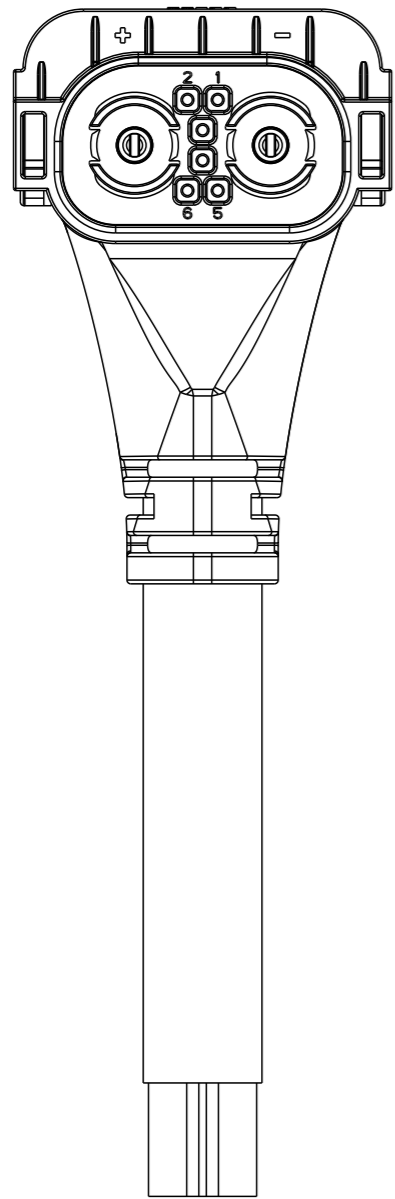
COLOUR TABLE

PIN	2P4S	2P6S
+	ORANGE	ORANGE
-	BLACK	BLACK
1	BLUE	ORANGE
2	ORANGE	BROWN
3	BROWN	BLUE
4	GREEN	GREEN
5	-	RED (B)
6	-	WHITE

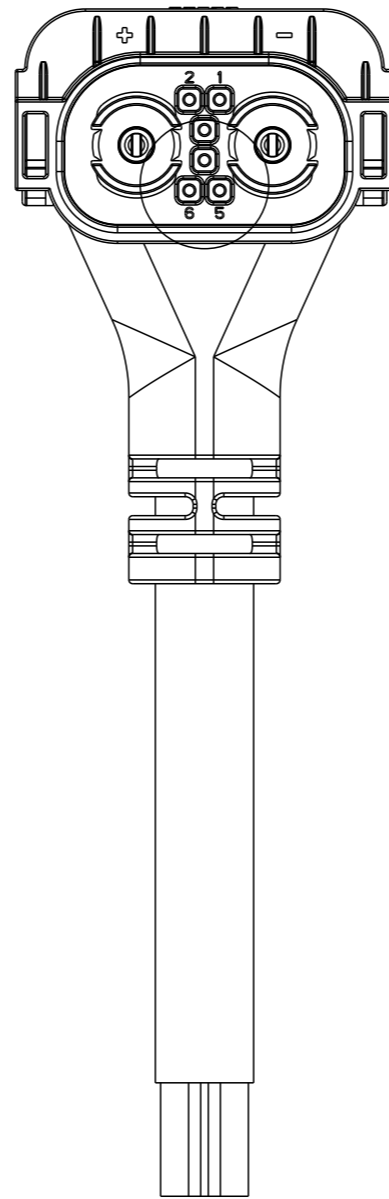
spec ref	dr	Prakash, Pravi	2022/12/30	projection	mm	size	A3	scale	1:1
tolerance std	eng	-	2023/03/31		← →	ecn no	rel level	Preliminary	rev
ISO 406 ISO 1101	chr	-	-						
surface	linear	0.X	±0.5	product family	-	-	-	-	-
		0.XX	±0.25						
ISO 1302	angular	0°	±°	Amphenol FCI	PLUG ASSEMBLY	dwg no	10169536	3	rev
	amphenol-icc.com	cat. no.	-	Product - Customer Drw	sheet 2 of 4				

# PLUG OVERMOLD GEOMETRY BASED ON CABLE SIZE (APPLICABLE FOR 2P4S & 2P6S VARIANTS)

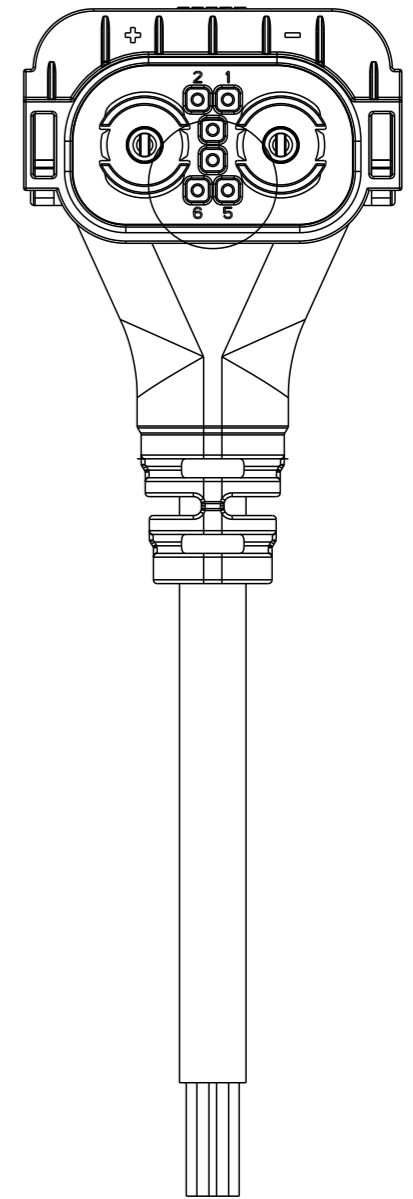
**16 SQMM PLUG**



**10 SQMM PLUG**



**1.5 & 2.5 SQMM PLUG**



Amphenol  
FCi

© 2020 Amphenol Corporation

spec ref		dr	Prakash, Pravi	2022/12/30	projection	mm	size	A3	scale	1:1
tolerance std		eng	-	2023/03/31			ecn no		rel level	
ISO 406 ISO 1101		chr	-	-			-		Preliminary	
TOLERANCES UNLESS OTHERWISE SPECIFIED		appr	-	-	product family		-		-	
surface	linear	0.X	±0.5	<b>Amphenol FCi</b>	PLUG ASSEMBLY		dwg no 10169536	rev		
		0.XX	±0.25		DURAEV			3		
ISO 1302	angular	0°	±°		amphenol-icc.com			cat. no.	-	Product - Customer Drw
							sheet 3 of 4			

Creo File:ELX-WC-A3C.REV F.2020-12-21

For information only. This is a preliminary customer document that is subject to change without notice.

AU

1016953X

J

2

4

C

B

LF

AUTOMOTIVE

BASE NUMBER	
4	PLUG
5	SOCKET

RATED CURRENT (A)	
G	50
J	70
K	12
M	20
N	15
P	25

NO. OF POWER CONTACTS

NO. OF SIGNAL CONTACTS	
4	
6	

WIRE LENGTH	
A	0.15M
B	0.20M
C	0.35M
D	0.50M
E	1.00M
F	1.50M
G	2.00M
H	0.60M
J	0.90M
K	0.12M
L	0.55M
M	0.75M
N	1.20M
P	0.30M
Q	0.45M
R	2.25M
S	0.175M
T	1.70M
U	3.00M
V	0.40M
W	0.17M
X	5.00M
Y	0.80M
Z	1.75M

LEAD-FREE

WIRE TYPE			
	SIZE	CURRENT(A)	REFERENCE AWG
A	FLRY-B -2.5 SQMM	25	14
B	FLRY-B -10 SQMM	50	8
C	FLRY-B -16 SQMM	70	6
D	FLRY-B -1.5 SQMM	15	16
E	FLRY-C -8 SQMM	50	8
F	SILICONE-10 SQMM	50	8

Amphenol FCI

© 2020 Amphenol Corporation

spec ref	dr	Prakash, Pravi	2022/12/30	projection	mm	size	A3	scale	1:1
tolerance std	eng	-	2023/03/31		← →	ecn no		rel level	
ISO 406 ISO 1101	chr	-	-			-		Preliminary	
surface	appr	-	-	product family	-	-		-	
ISO 1302	linear	0.X	±0.5	Amphenol FCI	PLUG ASSEMBLY	dwg no	10169536	rev	3
		0.XX	±0.25						
		0.XXX	±						
angular	0°	±°	amphenol-icc.com	cat. no.	-	Product - Customer Drw		sheet 4 of 4	

Creo File:ELX-WC-A3C.REV F.2020-12-21

For information only. This is a preliminary customer document that is subject to change without notice.