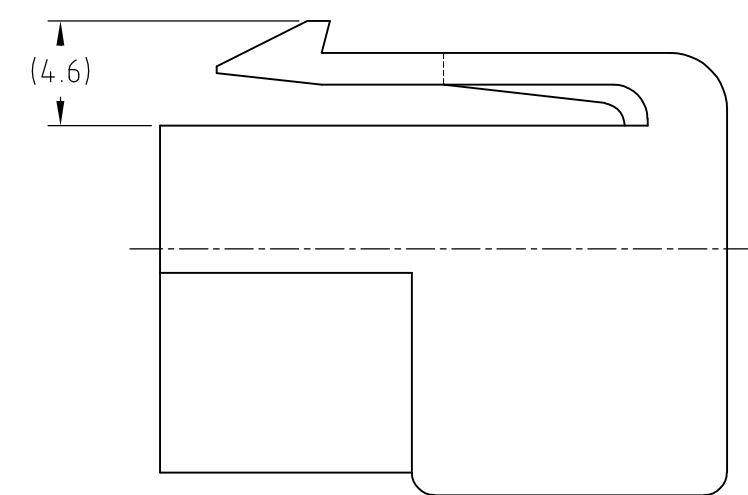
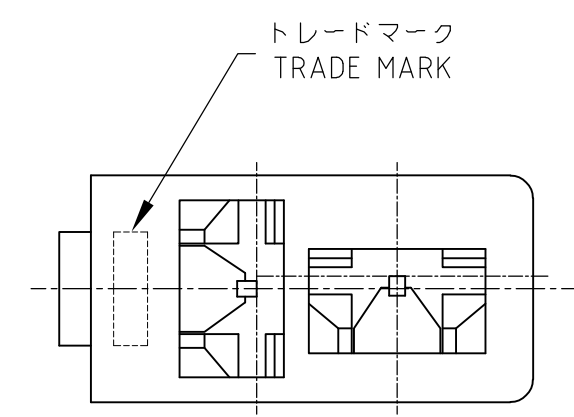
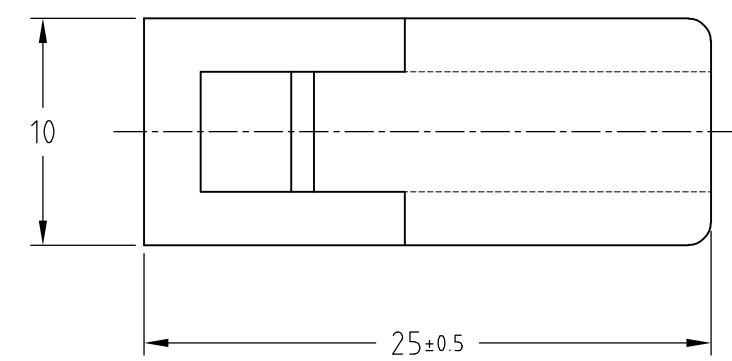
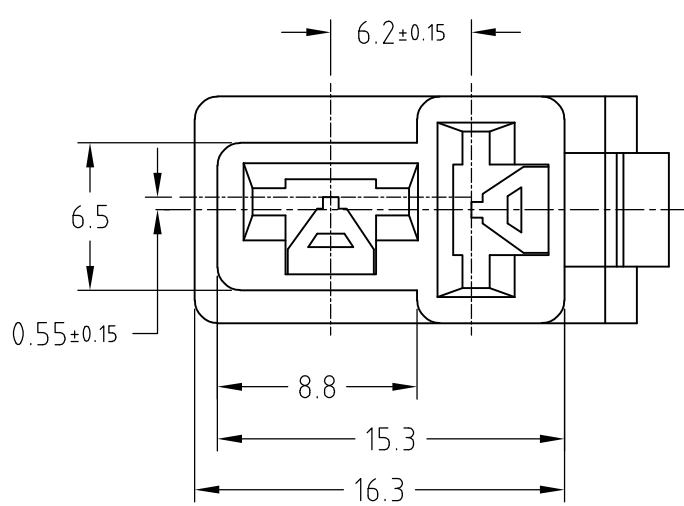


THIS DRAWING IS UNPUBLISHED. RELEASED FOR PUBLICATION
 © COPYRIGHT - By - ALL RIGHTS RESERVED.


LOC	DIST	REVISIONS 変更					
J	-	P	LTR	DESCRIPTION	DATE	DWN	APVD
		A1		REVISED PER ECO-11-005030	11MAR11	RK	HMR



注記；
 1.かん合相手ハウジング型番:174197-X
 2.使用端子型番:170342-X,1376071-X
 3.製品規格：108-78328

NOTE;
 1.THE MATING CAP HOUSING P/N;174197-X
 2.APPLIED CONTACT P/N;170342-X,1376071-X
 3.PRODUCT SPECIFICATION:108-78328

赤 (RED)	174198-9
だいだい (ORANGE)	174198-8
黄 (YELLOW)	174198-7
灰 (GRAY)	174198-6
青 (BLUE)	174198-5
緑 (GREEN)	174198-4
茶 (BROWN)	174198-3
黒 (BLACK)	174198-2
自然色 (NATURAL)	174198-1
色 (COLOR)	型番 (PART NUMBER)

THIS DRAWING IS A CONTROLLED DOCUMENT.		DWN J.SATO 20NOV2006	 TE Connectivity			
DIMENSIONS: 単位: 耗 mm		CHK N.YAMASAKI 26AUG2005				
TOLERANCES UNLESS OTHERWISE SPECIFIED: 一般公差		APVD N.YAMASAKI 26AUG2005	NAME 名称 250 SERIES HOUSING LANCE CONNECTOR 2POS PLUG HOUSING			
10以下 ± 0.2		PRODUCT SPEC 製品規格	SIZE	CAGE CODE	DRAWING NO 番号	RESTRICTED TO
100以下 ± 0.25		APPLICATION SPEC 取付適用規格	A3	00779	G-174198	-
1000以下 ± 0.3		FINISH 仕上	SCALE 尺度	3:1	SHEET 1 OF 1	REV A1
MATERIAL 材料 66NYLON (UL94V-2)		WEIGHT	CUSTOMER DRAWING			