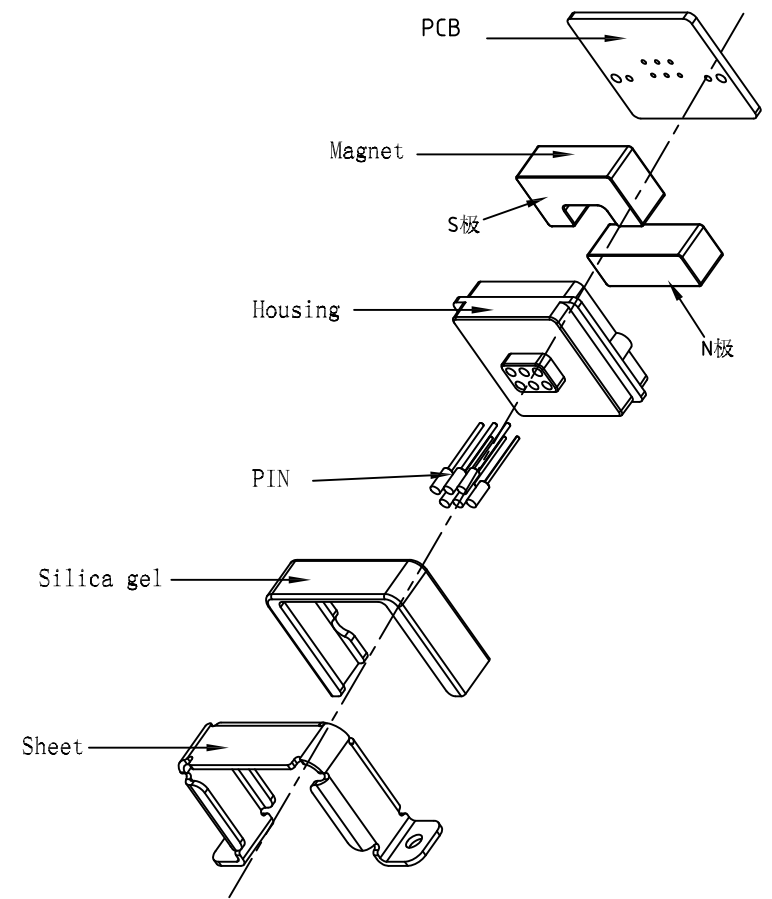
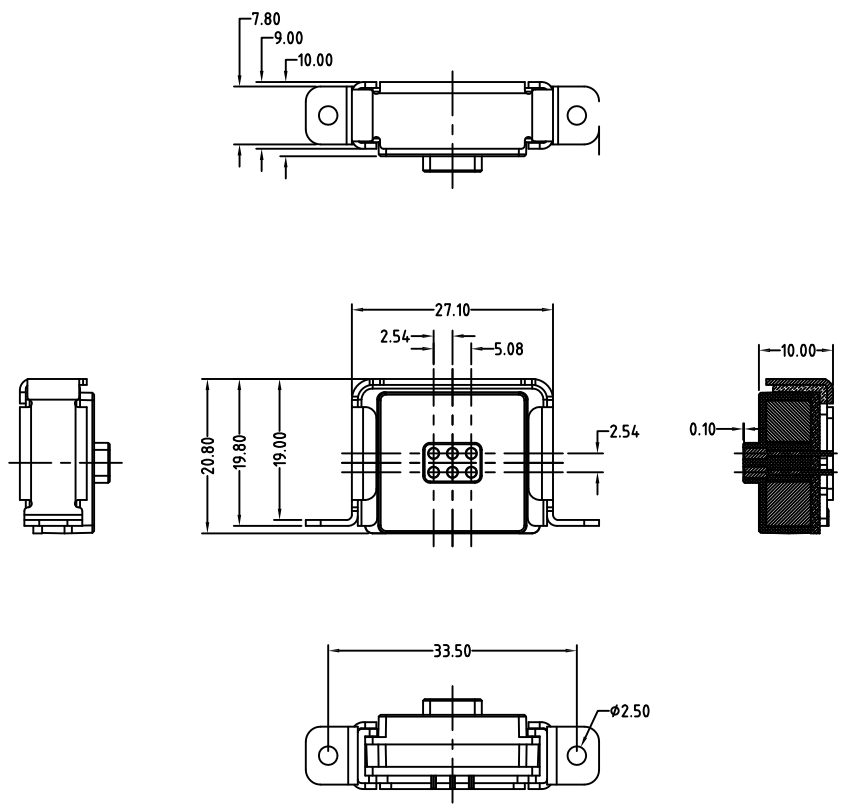


Rev	AWO #	Description	Date	Appr
-		RELEASED	9/19/18	

APPROVED: \_\_\_\_\_  
DATE: \_\_\_\_\_ TITLE: \_\_\_\_\_



MATING ADAM PART: CA-ST6-PH2-254105-M

SPECIFICATIONS:  
Electrical:  
Rated Current & Voltage: 12VDC, 2A  
Contact resistance: 50 mohms max  
Environmental:  
Lead free, RoHS compliant.



UNLESS OTHERWISE SPECIFIED  
ALL DIMENSIONS ARE MILLIMETERS  
TOLERANCES: EXCEPT AS NOTED  
ANGLE

0~6	± 0.05	
6~30	± 0.10	± 1°
30~150	± 0.15	

APPROVALS		DATE
DRAWN	HR	9/19/18
CHECKED	CK	9/19/18
APPROVED		

**ADAM TECH INTERCONNECTS** 909 Rahway Avenue,  
Union, NJ 07083  
Phone: 908-687-5000  
Fax: 908-687-5710

TITLE: POGO PIN PCB CONN, 2.54MM PITCH  
FEMALE, 2X3P, STRAIGHT, W/ PCB

SIZE	PART NO.	REV.
X	PH2-C25410-06-FVP	-

REF: S00170C SCALE: NTS SHEET 1 OF 1

6 5 4 3 2 1

D

D

C

C

B

B

A

A

6 5 4 3 2 1