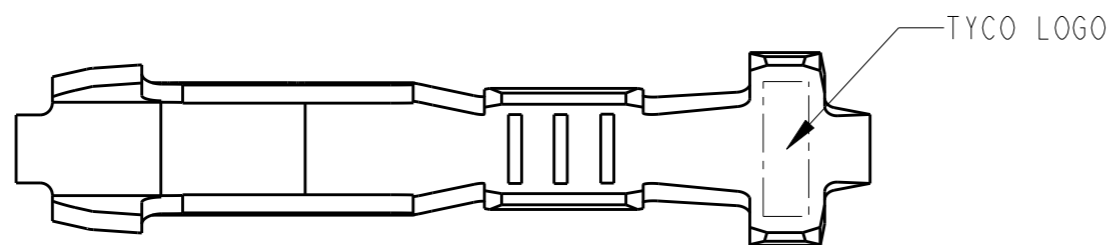
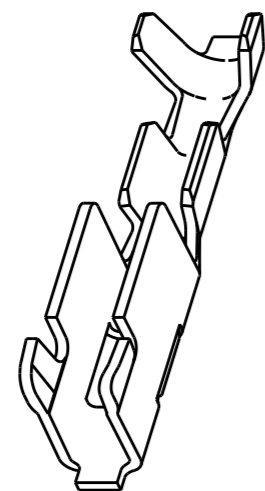
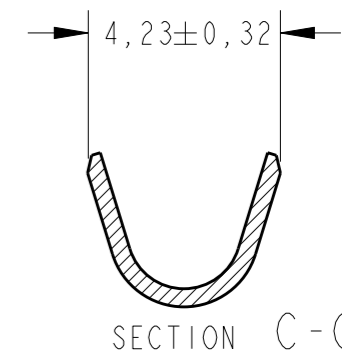
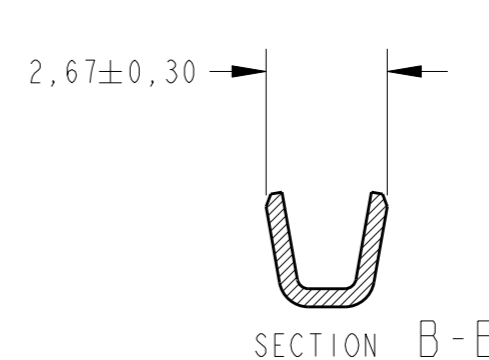
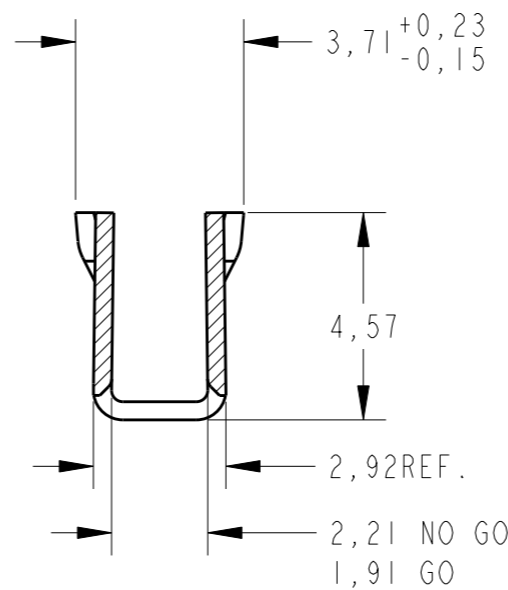
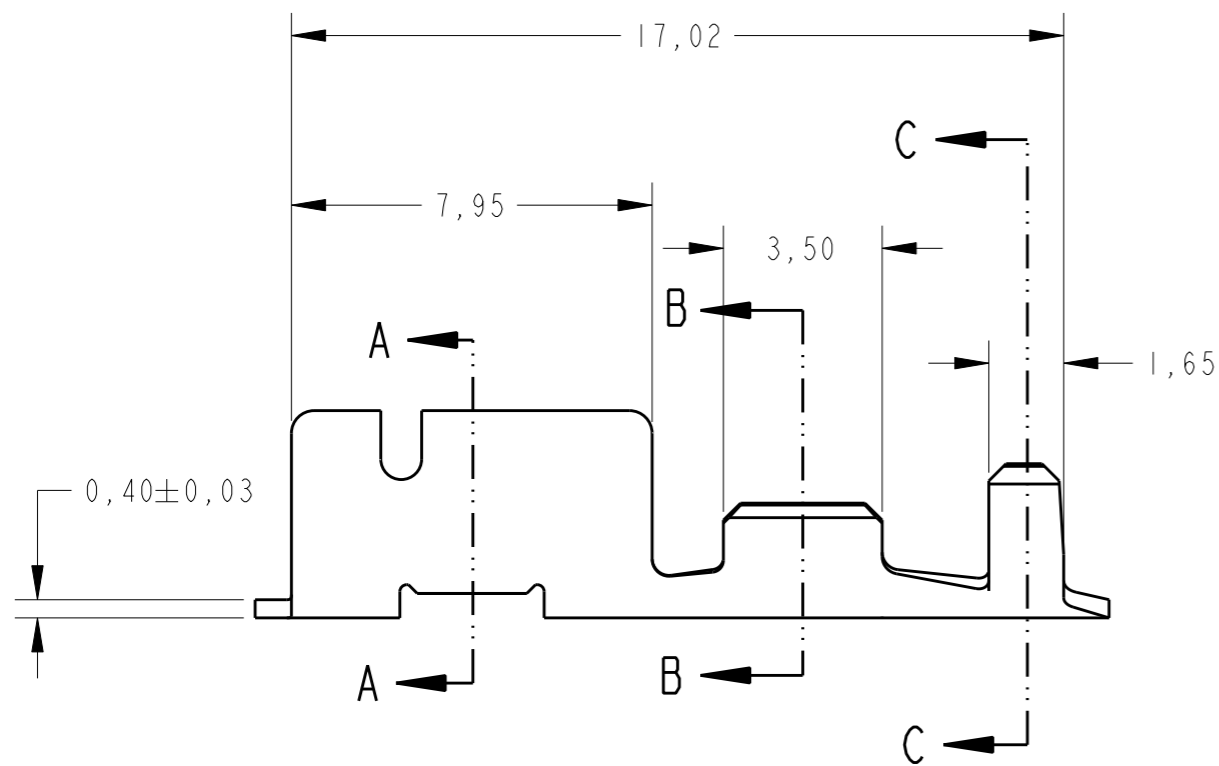


LOC	DIST	REVISIONS				
P	LTR	DESCRIPTION	DATE	DWN	APVD	
AP	-					
	O	RELEASED WAS 2002-LB00-0160-01	20MAY03	H.C	WLS	
	A	REV. ECO 12-014016	01AUG2012	HC	WLS	



1 - FITA CONTINUA EM BOBINA.  
CONTINUOUS STRIP ON REEL.



SCALE 4:1

$\varnothing 1,3/2,4\text{mm}$	$0,3/0,75\text{ mm}^2$	POS TIN PLATED	PH BRONZE H03	1599105-1
INSULATION RANGE	WIRE RANGE	FINISH	MATERIAL	PART NUMBER

THIS DRAWING IS A CONTROLLED DOCUMENT.		DWN 08JAN2003 H.C.CANTERI	TE Connectivity	
DIMENSIONS: mm		CHK 08JAN2003 W.L.STEFANI		
TOLERANCES UNLESS OTHERWISE SPECIFIED:		APVD 20MAY03 W.L.STEFANI	NAME RECEPTACLE, CLUSTER PIN, 2.29 (.090) DIA.	
0 PLC ±-		PRODUCT SPEC	-	
1 PLC ±-		APPLICATION SPEC	-	
2 PLC ±0,25		WEIGHT	-	
3 PLC ±-		CUSTOMER DRAWING	SIZE A3	CAGE CODE 00779
4 PLC ±-		FINISH -	DRAWING NO C-1599105	RESTRICTED TO -
ANGLES ±-			SCALE 6/1	SHEET 1 OF 1
MATERIAL SEE TABLE				REV A