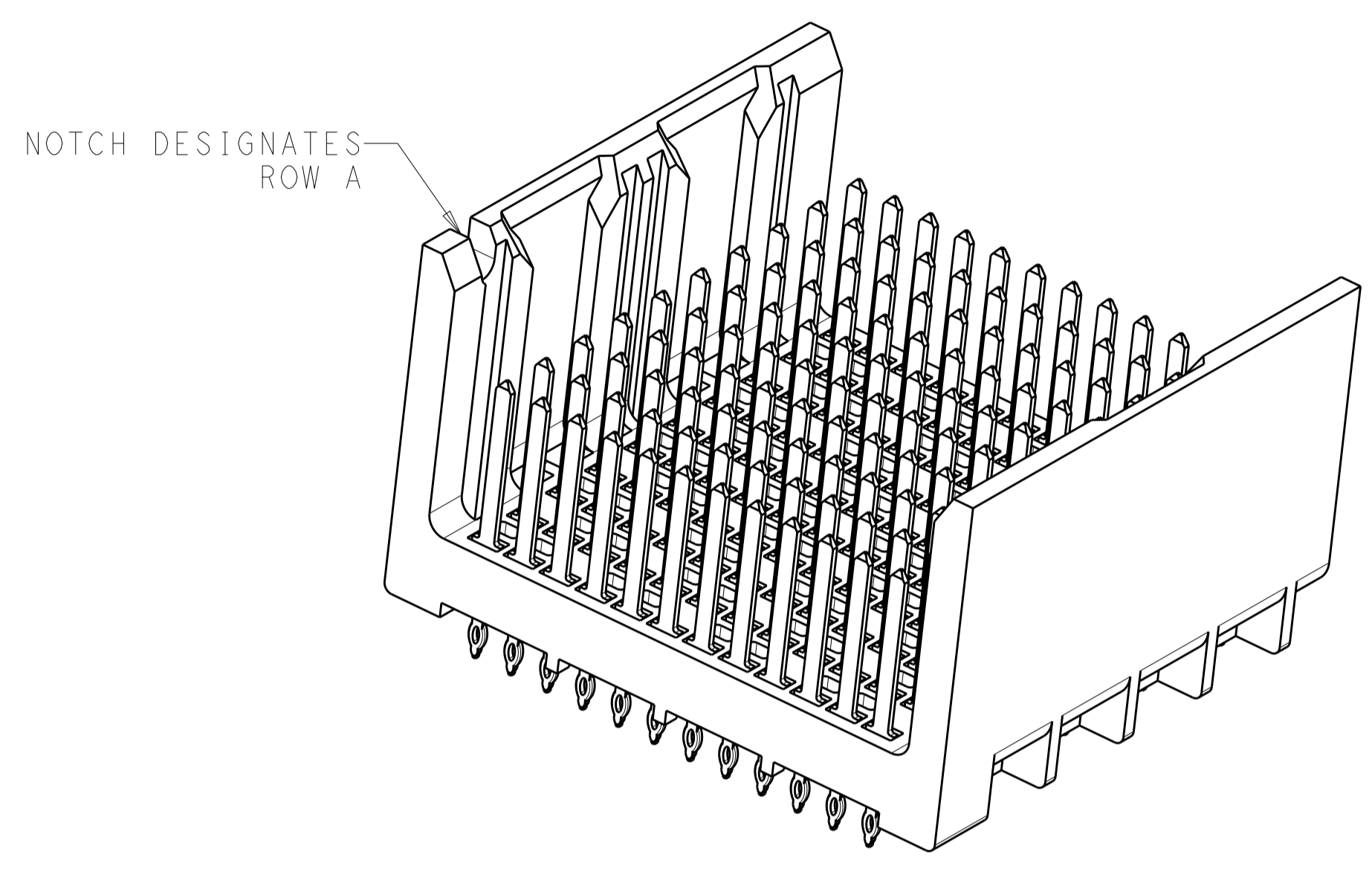
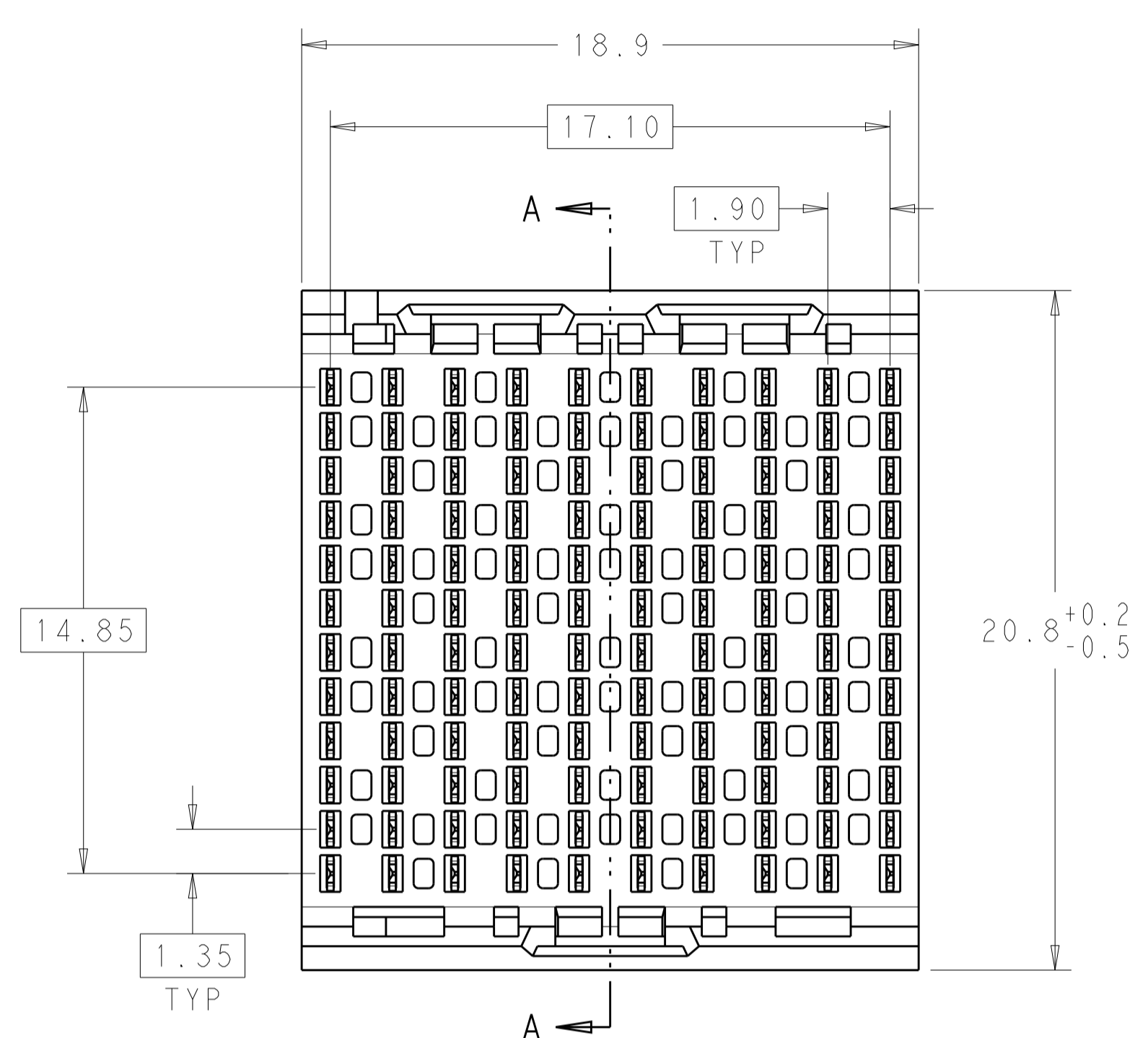
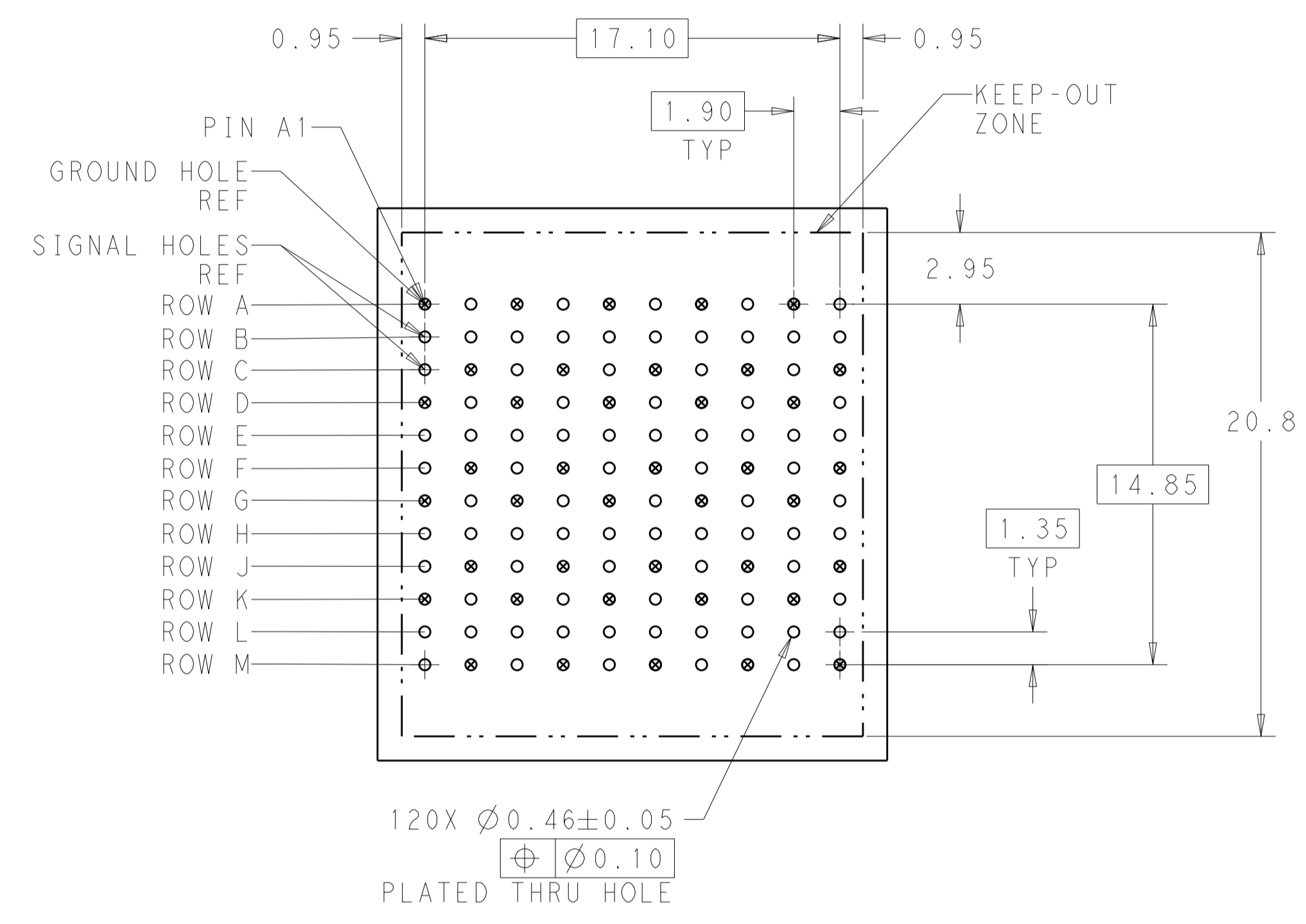


REVISIONS				
P.	LTN.	DESCRIPTION	DATE	APVD.
A1		REVISED PER ECO-15-001494	04FEB2015	AP DD

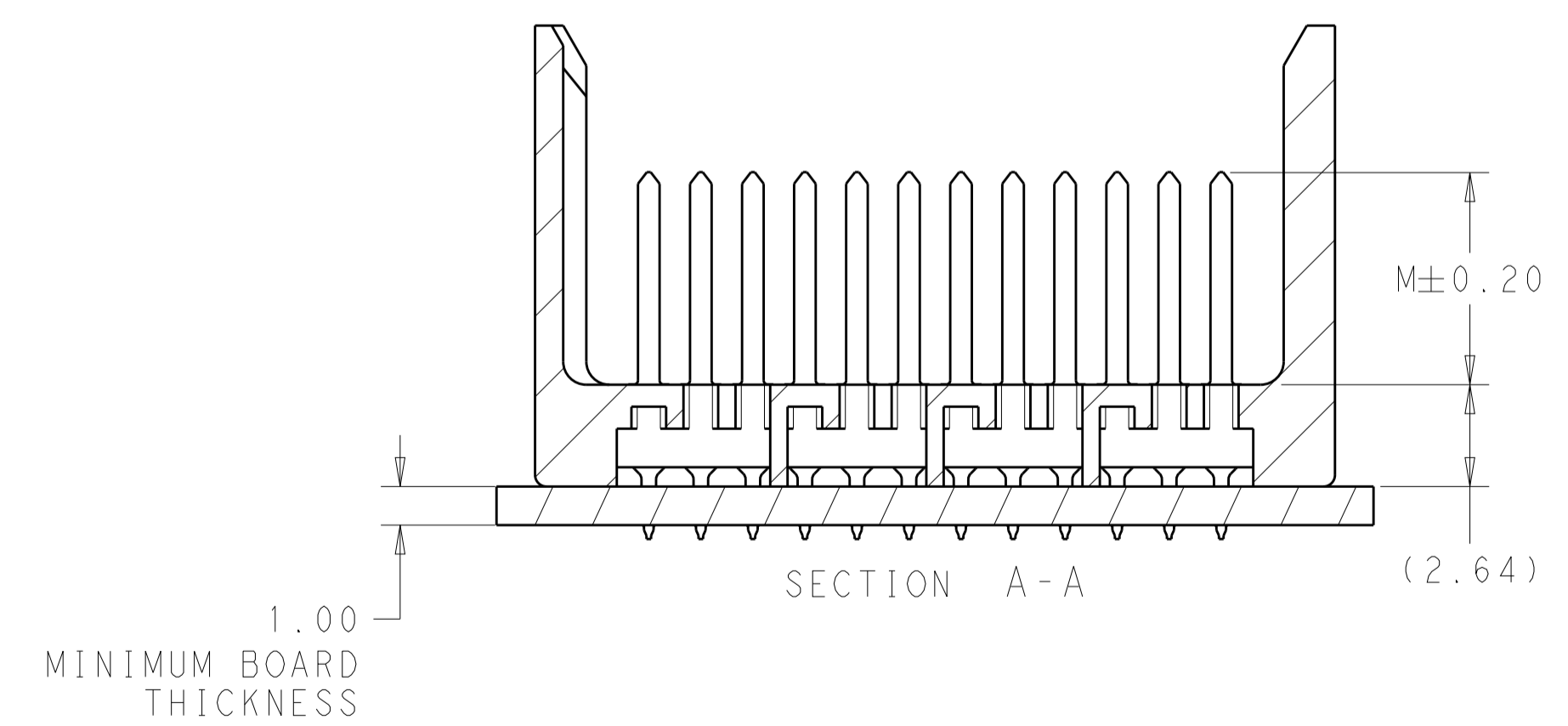
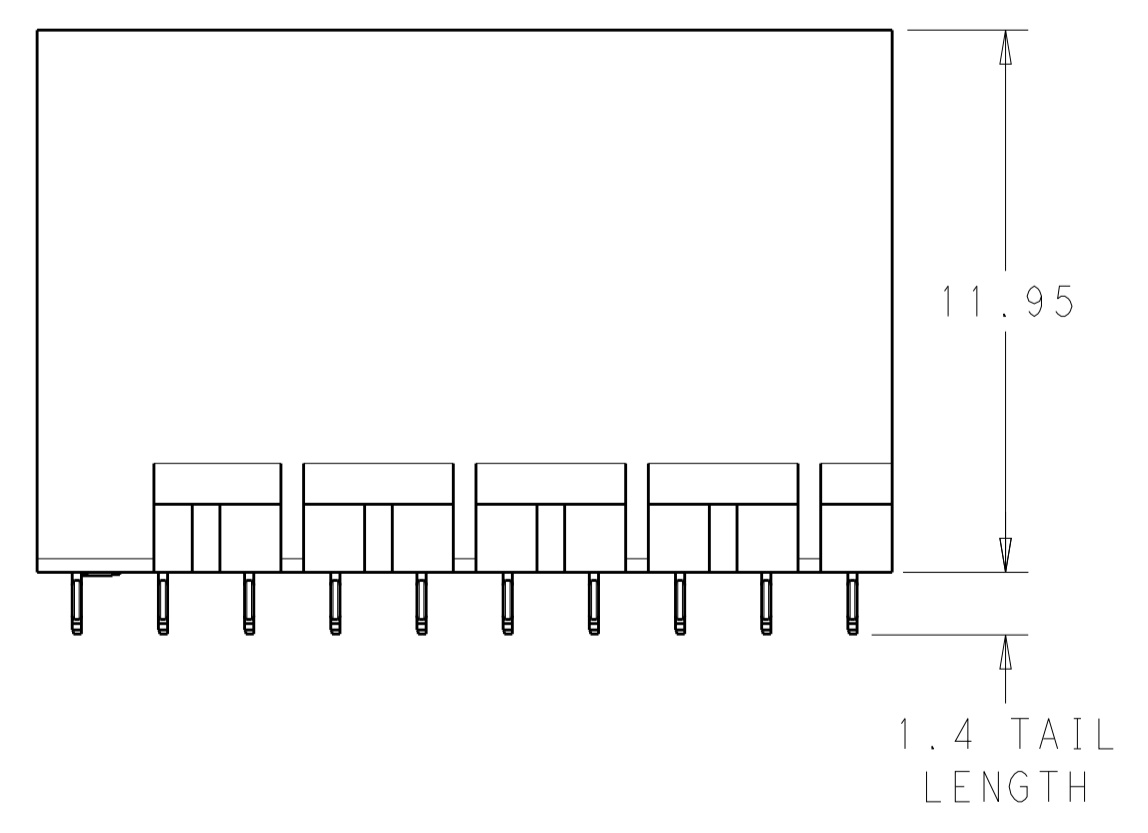


1 MATERIAL:
HOUSING: LCP, GLASS FILLED, UL94V-0.
TERMINALS: HIGH PERFORMANCE COPPER ALLOY.

2 FINISH:
30μ" MIN GOLD IN CONTACT AREA. SELECTIVE TIN ON PCB TAILS, NICKEL OVERALL.



UNGUIDED BACKPLANE HOLE PATTERN (CONNECTOR SIDE)



THIS DRAWING IS A CONTROLLED DOCUMENT.		DWN J. K. SHOBER 22DEC2010 CHK J. EARY 22DEC2010 APVD J. EARY 22DEC2010	TE Connectivity
DIMENSIONS: mm 	TOLERANCES UNLESS OTHERWISE SPECIFIED: 0 PLC ± 1 PLC ±0.25 2 PLC ±0.13 3 PLC ± 4 PLC ± ANGLES ± FINISH SEE TABLE	NAME IMPACT, 4 PAIR, 10 COLUMN, HEADER PRODUCT SPEC UNGUIDED, OPEN END WALL APPLICATION SPEC SIGNAL MODULE, 0.46 PTH SIZE CAGE CODE DRAWING NO. RESTRICTED TO A100779C=2007816 WEIGHT CUSTOMER DRAWING SCALE 6:1 SHEET 1 OF 2 REV A1	

THIS DRAWING IS UNPUBLISHED.	RELEASED FOR PUBLICATION	20
© COPYRIGHT 20	BY -	ALL RIGHTS RESERVED.

REVISIONS					
P.	LTN	DESCRIPTION	DATE	DMN	APVD
-	-	SEE SHEET 1	-	-	-

	5.5	2007816-3
	4.9	2007816-2
	4.5	2007816-1
FINISH	DIM M	PART NUMBER

REFER TO WWW.TE.COM
FOR PRODUCT AVAILABILITY

THIS DRAWING IS A CONTROLLED DOCUMENT.		DMN J. K. SHOBER	22DEC2010		TE Connectivity
DIMENSIONS:		CHK J. EARY	22DEC2010		
mm	TOLERANCES UNLESS OTHERWISE SPECIFIED:	APVD J. EARY	22DEC2010	NAME	
	0 PLC ±	PRODUCT SPEC		IMPACT, 4 PAIR, 10 COLUMN, HEADER	
	1 PLC ±0.25	APPLICATION SPEC		UNGUIDED, OPEN END WALL	
	2 PLC ±0.13	WEIGHT		SIGNAL MODULE, 0.46 PTH	
	3 PLC ±	MATERIAL		SIZE CAGE CODE DRAWING NO RESTRICTED TO	
	4 PLC ±	FINISH		A100779C=2007816	
	ANGLES ±	CUSTOMER DRAWING		SCALE 5:1 SHEET 2 OF 2 REV A1	
	SEE TABLE				