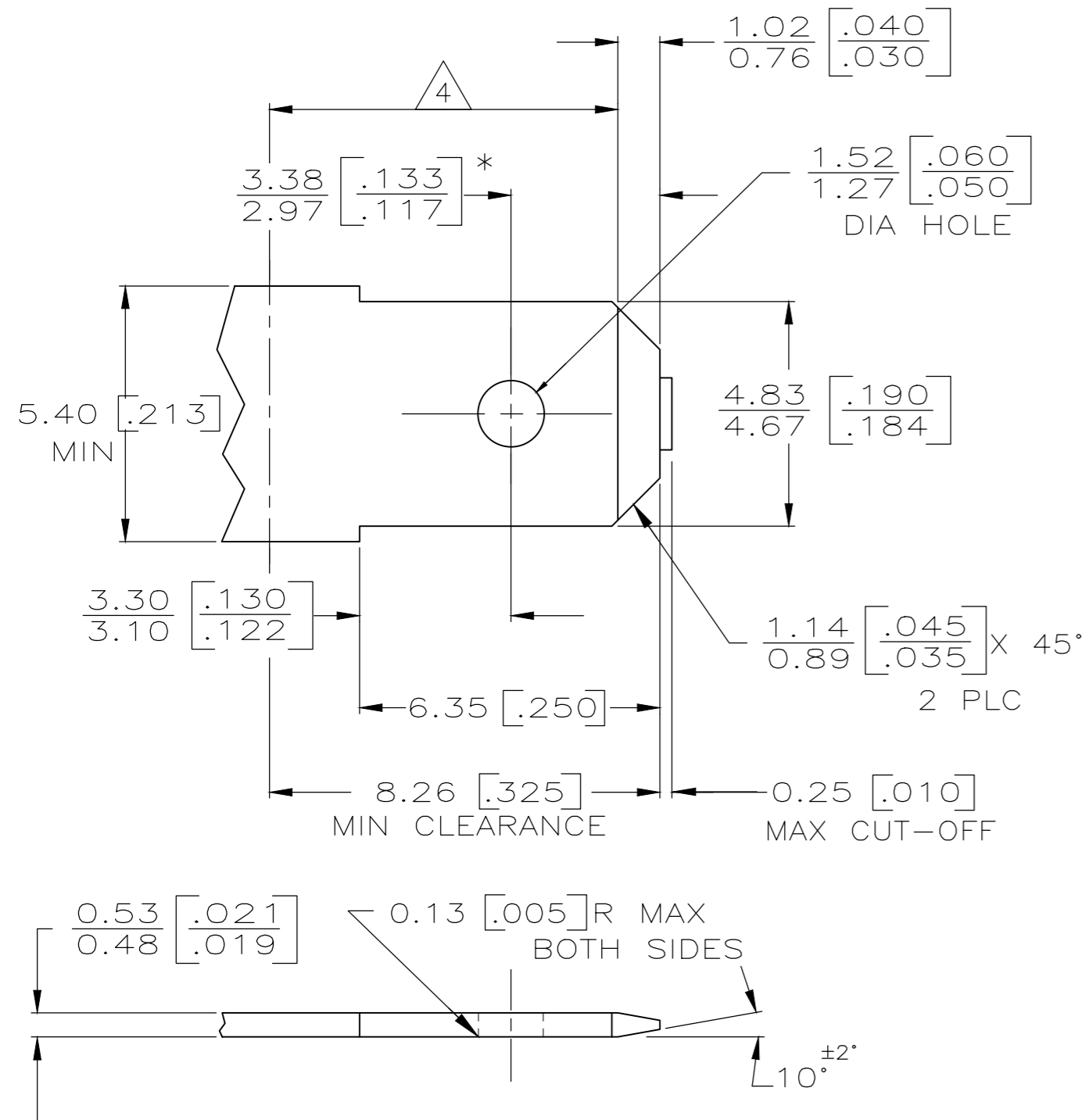


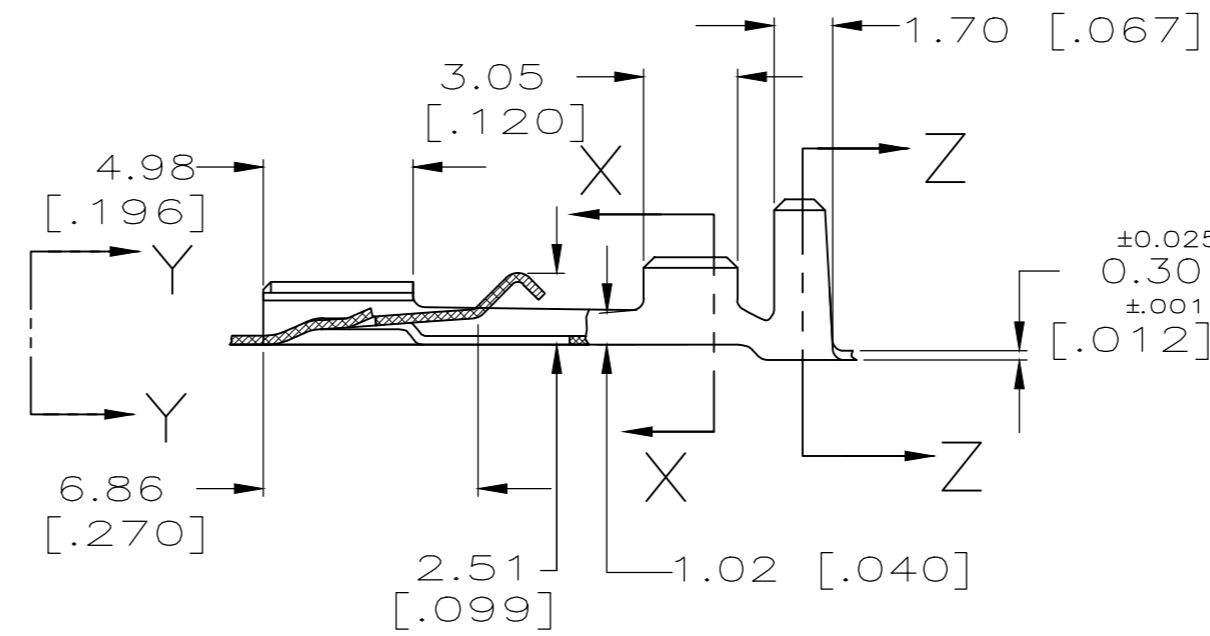
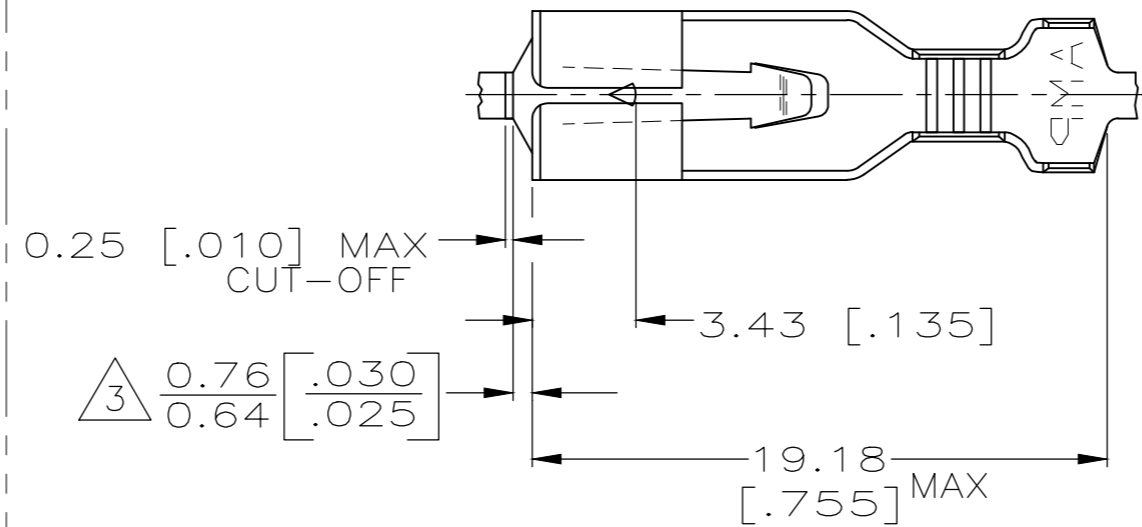
THIS DRAWING IS UNPUBLISHED. RELEASED FOR PUBLICATION  
 © COPYRIGHT - By - ALL RIGHTS RESERVED.

LOC		DIST		REVISIONS			
P	LTR	DESCRIPTION		DATE	DWN	APVD	
AF	50	N1	REVISED PER ECO-18-005747	13APR2018	HG	TD	

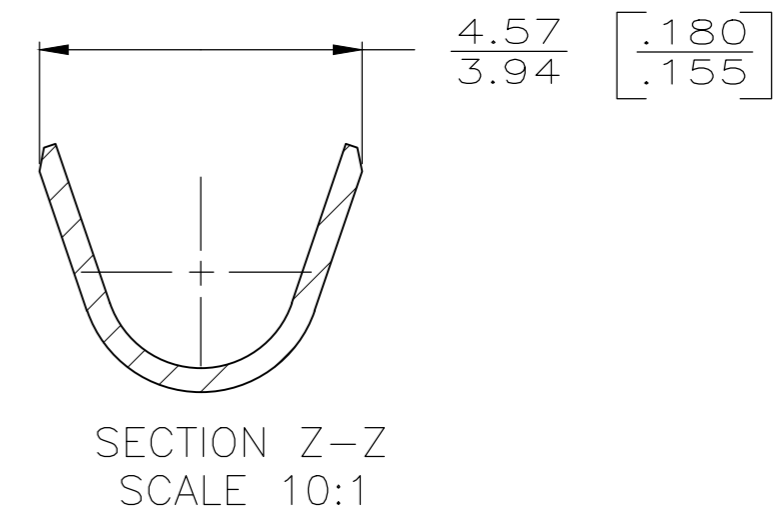
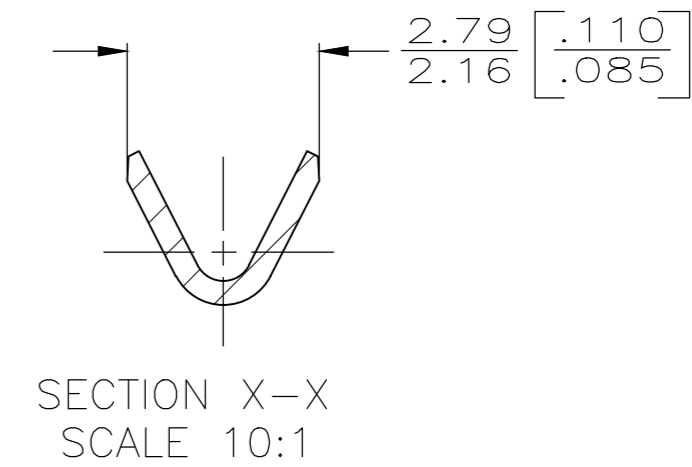
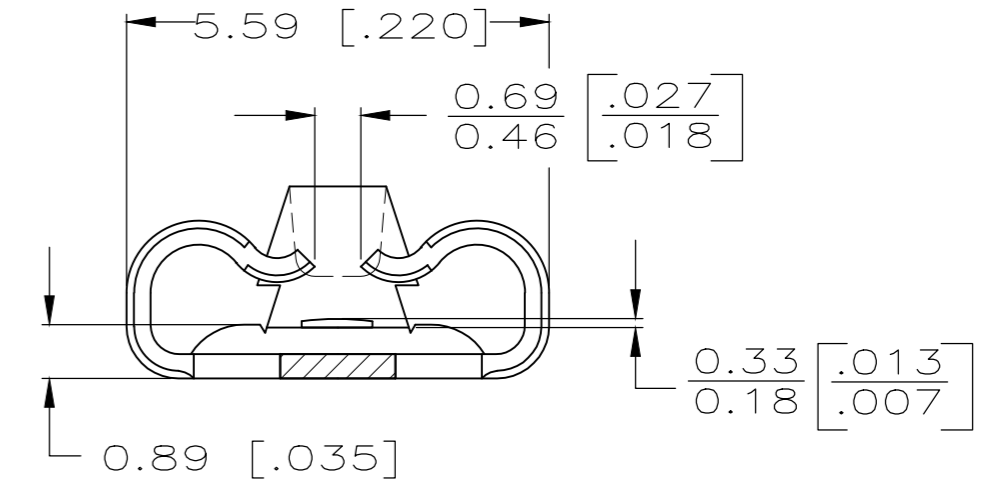
SUGGESTED MATING TAB



- MATL: #2 HARD BRASS OR NICKEL PLATE STEEL.
  - NO BURRS PERMISSIBLE AT HOLE.
  - TIN PLATING IS REQUIRED ON BRASS WHEN TERMINAL TEMPERTURE IS OVER 225° F.
  - MUST BE FLAT WITHIN 0.076[.003] OVER THIS LENGTH.
  - HOLE MUST BE SYMMETRICAL ABOUT TAB  $\epsilon$  WITHIN 0.076[.003].
- \* TO BE USED ONLY WHEN SHOULDER IS ELIMINATED.



- NOT FOR USE IN AMP HOUSINGS.
  - CONTINUOUS STRIP ON REELS.
- Callout 3: THE 0.76[.030] / 0.64[.025] DIMENSION MUST BE MAINTAINED BY THE APPLICATOR CUT-OFF TO ENSURE THE PROPER LOCKING FUNCTION OF THE RECEPTACLE.



OBSOLETE	PRE-TIN	1.52-2.79 [.060 - .110] DIA	0.2-0.5mm <sup>2</sup> [24-20] AWG	63407-2
	TIN 0.002032 [.000080] MIN			63407-1
	FINISH	INSULATION RANGE	WIRE SIZE	PART NO

THIS DRAWING IS A CONTROLLED DOCUMENT.		DWN	JR RUTH	1/24/91	 TE Connectivity RECEPTACLE, POSITIVE-LOCK, 4.75 [.187] SERIES
DIMENSIONS:		CHK	MS FEHER	1/24/91	
mm [INCHES]		APVD	J GILLESPIE	1/24/91	
TOLERANCES UNLESS OTHERWISE SPECIFIED:		PRODUCT SPEC		NAME	
0 PLC ± - 1 PLC ± - 2 PLC ± 0.25 [.010] 3 PLC ± - 4 PLC ± - ANGLES ± -		APPLICATION SPEC		SIZE	RESTRICTED TO
MATERIAL		WEIGHT		CAGE CODE	
BRASS		SEE TABLE		DRAWING NO	
		CUSTOMER DRAWING		SCALE	
				4:1	
				SHEET	
				1 of 1	
				REV	
				N1	