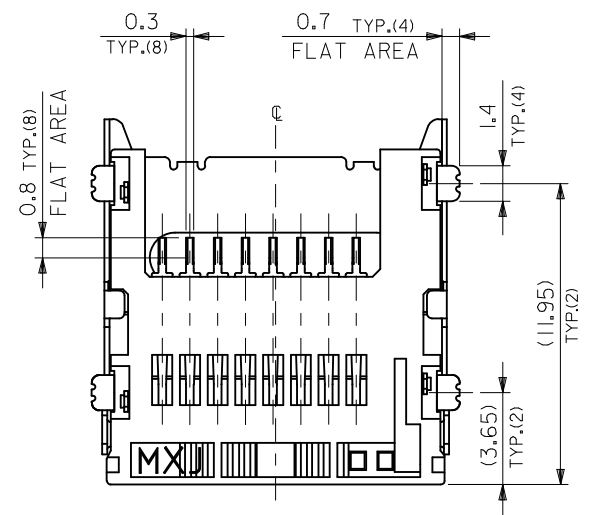
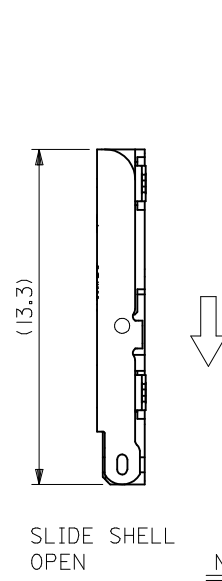
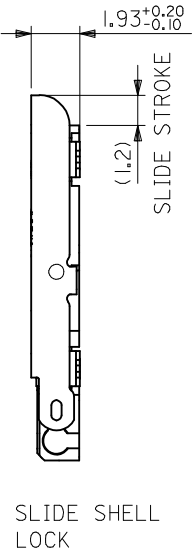
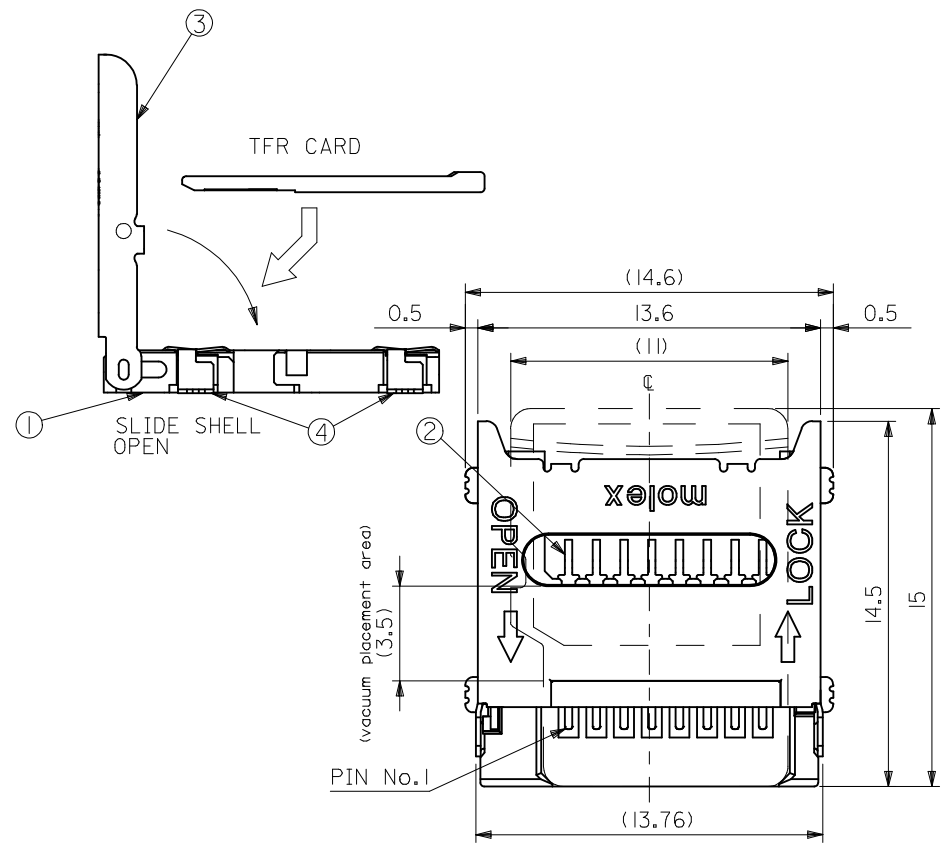


CONFIDENTIAL

NO.	PARTS DESCRIPTION	QTY	MATERIAL	FINISH
①	HOUSING	1	LIQUID CRYSTAL POLYMER (WHITE)	—
②	TERMINAL	8	COPPER ALLOY	CONTACT AREA:GOLD 0.5um MIN. SOLDER AREA:TIN 1.0um MIN. UNDER PLATING NICKEL 1.0um MIN.
③	SHELL	1	STAINLESS STEEL	—
④	NAIL	4	PHOSPHOR BRONZE	ALL OVER:TIN 1.0um MIN. UNDER PLATING NICKEL 1.0um MIN.

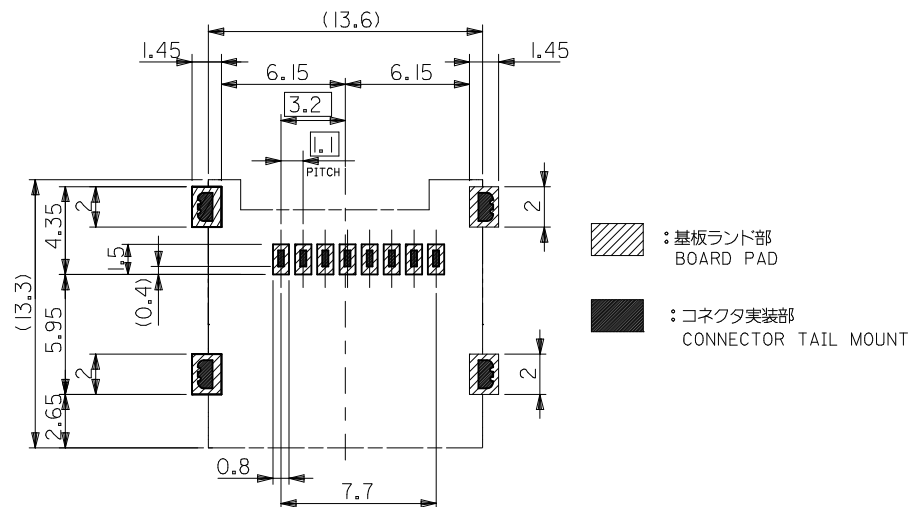


NOTE

1. EACH TERMINALS AND NAILS COPLANARITY TO BE 0.1MAX.
2. ELV AND RoHS COMPLIANT.

ORDER No.	500901-0801	500901-08**
CONNECTOR ONLY	500901-0829	
PACKAGE	MATERIAL No.	MODEL No.

REVISED EC NO: J2015-1023 DRWN: MISO GAYA 2015/02/04 CHKD: APPR: NUKITA 2015/02/06	GENERAL TOLERANCES (UNLESS SPECIFIED)			DIMENSION STYLE		SCALE	DESIGN UNITS	THIRD ANGLE PROJECTION
	0.25 UNDER	UNDER	± 0.03	MM ONLY		5:1	METRIC	
	0.25 OVER	0.5 UNDER	± 0.05	DRAWN BY	DATE	TITLE		
	0.5 OVER	1.0 UNDER	± 0.1	TWATANABE	05/01/21	TFR MEMORY CARD CONN. HINGE TYPE		
	1.0 OVER	10 UNDER	± 0.2	CHECKED BY	DATE			
10 OVER	30 UNDER	± 0.25	HTAKASE	05/01/21				
30 OVER		± 0.3	APPROVED BY	DATE	DOCUMENT NO.			
ANGULAR	± 3 °		JMIYAZAWA	05/01/21	SD-500901-003			
DRAFT WHERE APPLICABLE MUST REMAIN WITHIN DIMENSIONS			MATERIAL NO.		SHEET NO.			
			SEE CHART		1 OF 2			
			SIZE A3		THIS DRAWING CONTAINS INFORMATION THAT IS PROPRIETARY TO MOLEX INCORPORATED AND SHOULD NOT BE USED WITHOUT WRITTEN PERMISSION			



推奨基板寸法(上面図) 一般公差:±0.05  
 RECOMMENDED P.C. BOARD LAYOUT(TOP VIEW)  
 GENERAL TOLERANCES : ±0.05

REVISED EC NO: J2015-1023 DRWN: MISOGAYA 2015/02/04 CHKD: APPR: NUKITA 2015/02/06	GENERAL TOLERANCES (UNLESS SPECIFIED)			DIMENSION STYLE MM ONLY		SCALE 5:1	DESIGN UNITS METRIC	THIRD ANGLE PROJECTION	
	0.25 UNDER	UNDER	±0.03	DRAWN BY	DATE	TITLE			
	0.25 OVER	0.5 UNDER	±0.05	TWATANABE	05/01/21	TFR MEMORY CARD CONN. HINGE TYPE			
	0.5 OVER	1.0 UNDER	±0.1	CHECKED BY	DATE				
	1.0 OVER	10 UNDER	±---	HTAKASE	05/01/21				
10 OVER	30 UNDER	±---	APPROVED BY	DATE	DOCUMENT NO.				
30 OVER		±---	JMIYAZAWA	05/01/21	SD-500901-003				
ANGULAR	±---	°	MATERIAL NO.		SHEET NO.				
DRAFT WHERE APPLICABLE MUST REMAIN WITHIN DIMENSIONS			SIZE A3	SEE CHART					2 OF 2

10

9

8

7

6

5

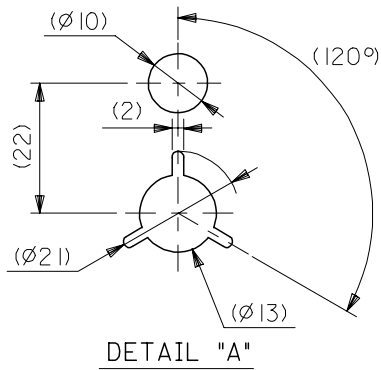
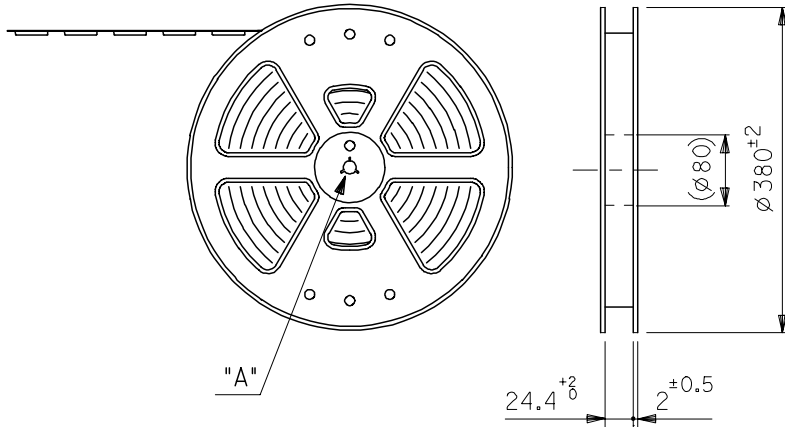
4

3

2

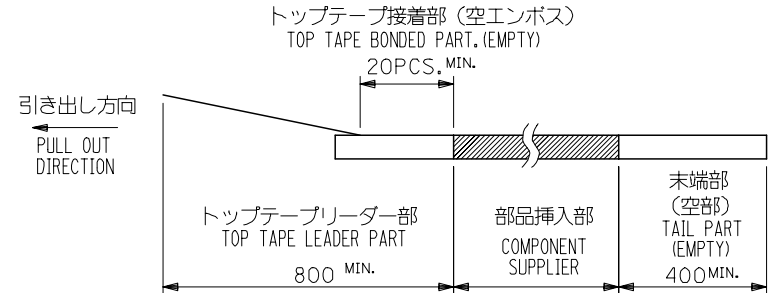
1

引き出し方向  
←  
PULL OUT  
DIRECTION

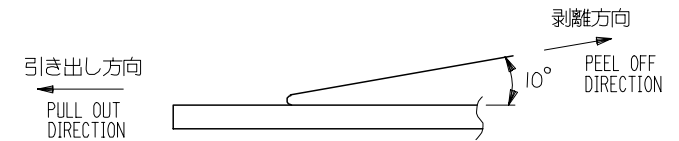


## NOTES

- 製品詳細寸法については、SD図面を参照下さい。  
THE DETAIL DIMENSIONS REFER TO SALES DRAWING.
- 梱包数量：1400個/リール  
NUMBER OF CONNECTORS : 1400PCS/REEL
- リードテープ長さ LEAD TAPE LENGTH



- トップテープの剥離強度：0.1N～1.3N (10.2gf～130gf) (剥離方向は下図参照)  
尚、本規格値は出荷時に適用。(但し、輸送時に剥離が発生しないこと。)  
PEEL FORCE OF TOP TAPE : 0.1N～1.3N (10.2gf～130gf)  
(PEEL DIRECTION AS SHOWN IN FOLLOWING FIG.)  
THIS REQUIREMENT SHOULD BE APPLIED AT SHIPMENT.  
PEEL OFF SHOULD NOT BE ALLOWED , DURING TRANSPORTATION.



- 材料 (MATERIAL)

キャリアテープ (CARRIER TAPE) : ポリプロピレン (POLYPROPYLENE)  
トップテープ (TOPTAPE) : PET, PE, PEF  
リール (REEL) : ポリスチレン (PS) <リサイクル材を含む>  
POLYSTYRENE (PS) <RECYCLE MATERIAL CONTAINED>

RELEASED	EC NO: J2005-2205	DRAWN BY DRWNGKSETO	DATE 2005/02/03	CHECKED BY CHKD: TWATANABE	DATE 2005/02/03	APPROVED BY APPR: JMIYAZAWA	DATE 2005/02/08	GENERAL TOLERANCES (UNLESS SPECIFIED)		DIMENSION STYLE MM ONLY		SCALE ---	DESIGN UNITS METRIC	THIRD ANGLE PROJECTION	
								10 UNDER	±0.2	DRAWN BY TWATANABE	DATE 05/01/21	TITLE TFR MEMORY CARD CONN. EMBOSSD TAPE PACKAGE			
								10 OVER 30 UNDER	±0.25	CHECKED BY HTAKASE	DATE 05/01/21				
								30 OVER	±0.3	APPROVED BY JMIYAZAWA	DATE 05/01/21				
								ANGULAR	±3 °	MATERIAL NO. 500901-0801					
								DRAFT WHERE APPLICABLE MUST REMAIN WITHIN DIMENSIONS		DOCUMENT NO. SD-500901-004					
										SIZE A3				THIS DRAWING CONTAINS INFORMATION THAT IS PROPRIETARY TO MOLEX INCORPORATED AND SHOULD NOT BE USED WITHOUT WRITTEN PERMISSION	
															SHEET NO. 1 OF 2

9

8

7

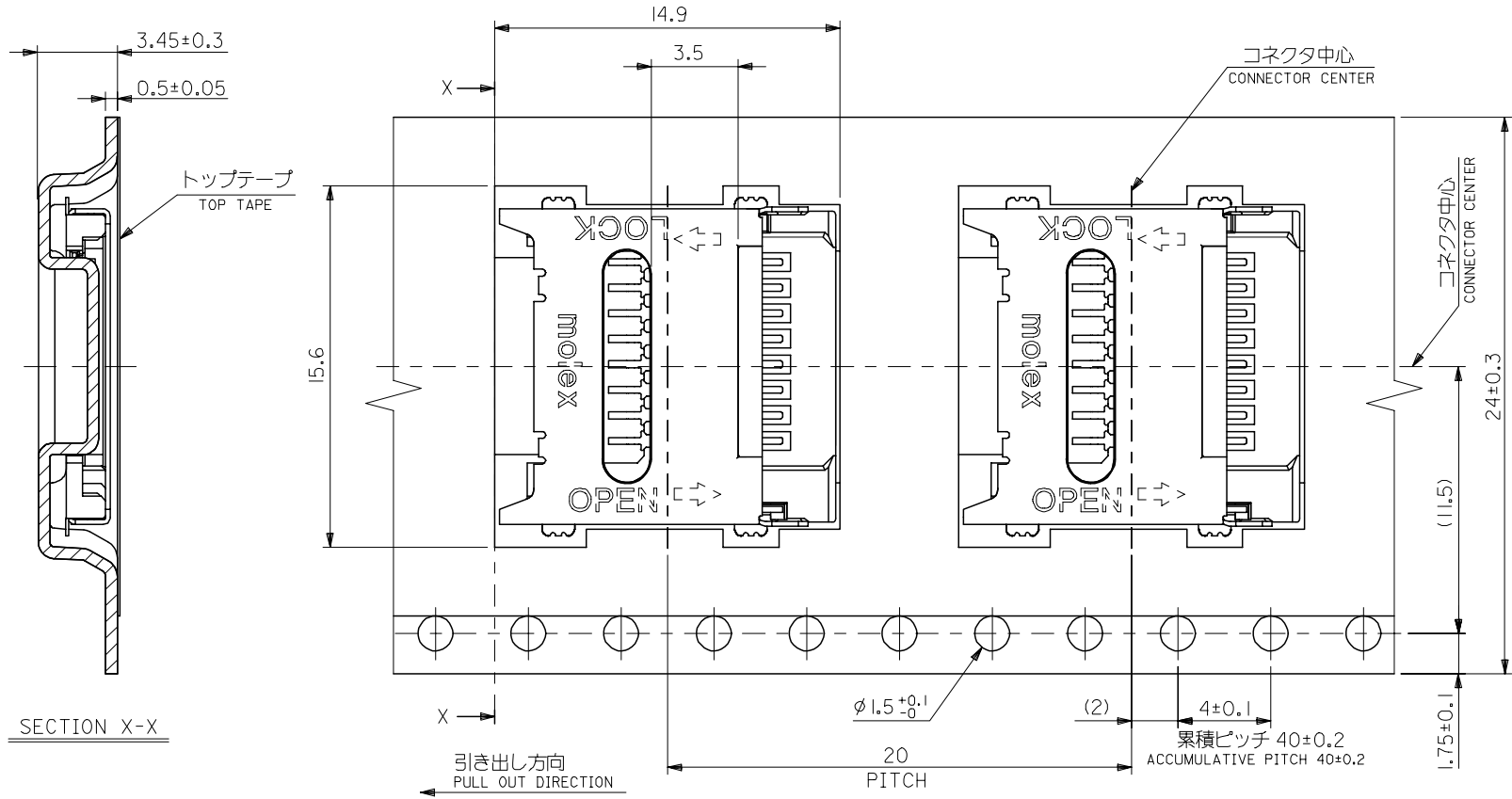
6

5

4

3

2



SECTION X-X

RELEASED EC NO: J2005-2205 DRWNGKSETO 2005/02/03 CHKD: TWATANABE 2005/02/03 APPR: JMIYAZAWA 2005/02/08	GENERAL TOLERANCES (UNLESS SPECIFIED)		DIMENSION STYLE MM ONLY		SCALE ---	DESIGN UNITS METRIC	THIRD ANGLE PROJECTION	
	10 UNDER	± ---	DRAWN BY	DATE	TITLE			
	10 OVER 30 UNDER	± ---	TWATANABE	05/01/21	TFR MEMORY CARD CONN. EMBOSSD TAPE PACKAGE			
	30 OVER	± ---	CHECKED BY	DATE	MOLEX MOLEX INCORPORATED			
	ANGULAR	±3 °	HTAKASE	05/01/21	DOCUMENT NO. SD-500901-004			
0	DRAFT WHERE APPLICABLE MUST REMAIN WITHIN DIMENSIONS	APPROVED BY JMIYAZAWA	DATE 05/01/21	MATERIAL NO. 500901-0801	SIZE A3	SHEET NO. 2 OF 2		