

# Lighting Controls

DATE: \_\_\_\_\_ LOCATION: \_\_\_\_\_

TYPE: \_\_\_\_\_ PROJECT: \_\_\_\_\_

CATALOG #: \_\_\_\_\_

## WASP™ OCCUPANCY SENSOR

OCCUPANCY SENSORS AND CONTROLLERS

### FEATURES

- Digital Passive Infrared (PIR) sensor
- Multiple (single and dual) output versions
- Unique Smart Cycling for improved lamp life
- End mount and surface mount versions
- Interchangeable high/low area detection lens options (sold separately)
- Low voltage and line voltage models available
- Daylight sensor for daylight harvesting applications
- Low temperature/water-tight/indoor-outdoor versions



### SPECIFICATIONS

#### CONSTRUCTION

- Sensor module and lens assembly - high impact, injection-molded plastic
- 4.0" x 1.5" H (101.6mm x 38.1mm H)
- 7.0 oz. (198.45g)
- White, Black and Gray
- (1) 12-pin dip switch
- Dual element pyrometer and spherical Fresnel lens designed for robust detection of a walking person\*
- Lens Options
  - Low Mount/High Mount:
  - Indoor/Outdoor
  - Coverage: 360°, 180°, Aisle, Half Aisle
  - Lenses sold separately

#### MOUNTING

- End mount sensor: Mounts directly to end of fixture through extended ½": (12.7mm) chase nipple
- For deeper body fixtures, an optional Extender Adapter (available separately) positions the sensor flush or below the bottom of the reflector for a full field-of-view
- Surface mount sensor: Mounts directly to fixture or j-box via (2) 1.25" (31.75mm) stainless steel screws and locking nuts

#### ELECTRICAL

- Line Voltage sensors: 120/277/347VAC, 208/240VAC, 480VAC, 60 Hz
- Low Voltage sensors: 24VDC (uses UVPP or MP-Series power pack – not included)

#### ELECTRICAL (CONTINUED)

- 120VAC: 0-800W ballast or 0-600W tungsten, 60Hz
- 277VAC: 0-1200W ballast
- 347VAC: 0-1500W ballast
- 208/240VAC: 0-1200W ballast
- 480VAC: 0-2400W ballast
- ¼ HP motor load @ 120VAC, 1/6HP @ 347VAC
- 24VDC active high-logic control signal
- Relay: N/O + N/C contacts; 500mA rated @ 24VDC; three wire isolated relay

#### OPERATION

- Coverage: 360°, 180°, Aisle, Half Aisle
- Timer Settings
  - Primary: 8-second test mode - 4, 8, 16 and 30 minute timeouts
  - Secondary: can be disable (switches off with primary timer) - 30, 60 and 90 minute timeouts
- Daylight Sensor
  - Range: 30 - 2500fc
  - End mount sensor: Downward and upward looking daylight sensors (Direction selectable via dip switch)
  - Surface mount sensor: Downward looking daylight sensor only

#### OPERATING ENVIRONMENT

- Operating temperature: 32° to 149°F (0° to 65°C)
- Relative humidity (non-condensing): 0% to 95%
- Low-temperature/WaterTight/Indoor-Outdoor version: Operating temperature: -40° to 149°F (-40° to 65°C)

#### CERTIFICATIONS

- UL and cULus listed
- Title 24 compliant
- Conforms to UL STD 508, UL STD 244A
- This product qualifies as both (i) a "domestic construction material" per FAR §52.225-9 Buy American-Construction Materials and a "(COTS) item" per FAR §2.101 and (ii) a "designated country construction material" per FAR 52.225-11 Buy American-Construction Materials under Trade Agreements effective 5/27/2020.
- This product qualifies as "designated country construction material" per FAR 52.225-11 Buy American-Construction Materials under Trade Agreements effective 5/27/2020.

#### WARRANTY

- 5 year warranty

\*When used with program start ballast, a 1-2 second delay from occupancy detection to lamp turn-on may be experienced

# Lighting Controls

## WASP™ OCCUPANCY SENSOR

OCCUPANCY SENSORS AND CONTROLLERS

### ORDERING GUIDE

Example: WSPSMUNV-U

CATALOG #

WSP		Environment		Mounting		Input Voltage		Color		BAA/TAA*	
<b>Sensor</b>	WASP Sensor	<b>(Blank)</b>	Standard Version	<b>EM</b>	End Mount	<b>24V</b>	24VDC (Low Voltage)	<b>(Blank)</b>	White	<b>Blank</b>	Standard Product
<b>WSP</b>		<b>LWO</b>	Low-Temp/WaterTight/ Indoor/Outdoor	<b>SM</b>	Surface Mount	<b>UNV</b>	120/277/347VAC	<b>BK</b>	Black	<b>U</b>	BAA
						<b>UNV2R</b>	120/277/347VAC (2 Outputs)	<b>GY</b>	Gray	<b>T</b>	TAA
						<b>208</b>	208/240VAC				
						<b>480</b>	480VAC				

*Buy American Solutions	
BAA	TAA
FAR §52.225-9	FAR §52.225-11
WSPMUNV	
WSPLWOEMUNV	
WSPLWOSM24V	
WSPLWOSMUNV	
WSPSMUNV	
	WSPSM24V

### Lens Ordering Guide

Example: WSPLWO-L360-LM-WH

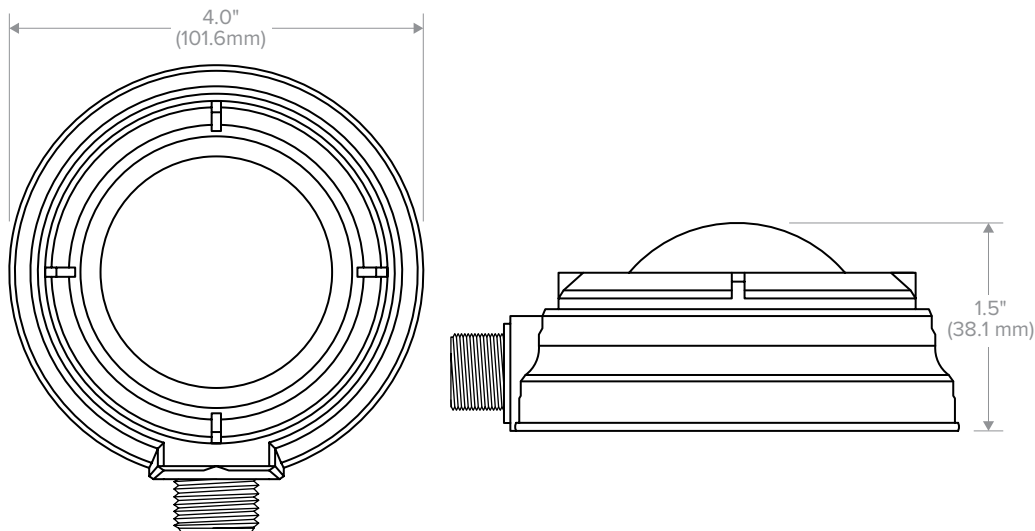
CATALOG #

WSP		Environment		Coverage		Mounting		Color	
<b>Sensor Lens</b>	WASP Sensor Lens	<b>Blank</b>	Indoor Version	<b>L360</b>	360° Area Lens	<b>Blank</b>	High Mount	<b>WH</b>	White
<b>WSP</b>		<b>LWO</b>	Low-Temp/Watertight/ Outdoor Only	<b>L180</b>	180° Area Lens	<b>LM</b>	Low Mount	<b>BK</b>	Black
				<b>LA</b>	Aisle Lens			<b>GY</b>	Gray
				<b>LHA</b>	Half Aisle Lens				

### Accessories

- WSPADAPTOR2** WASP End Mount Sensor Offset Adapter

### DIMENSIONS



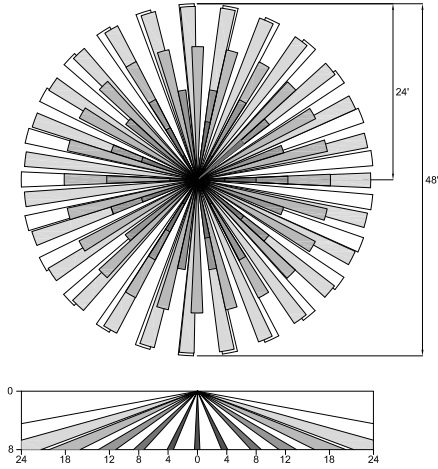
# Lighting Controls

## WASP™ OCCUPANCY SENSOR

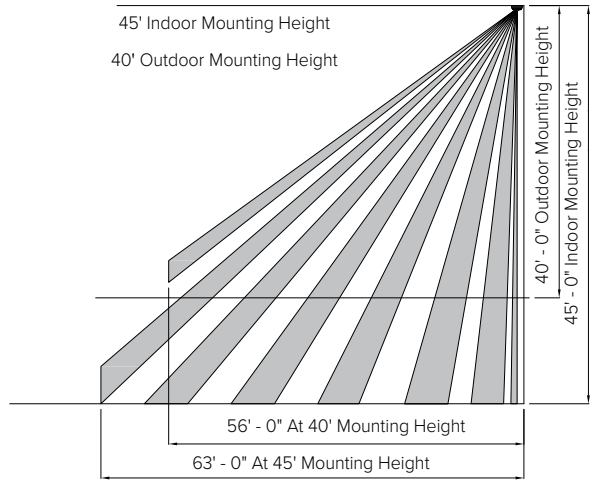
OCCUPANCY SENSORS AND CONTROLLERS

### ADDITIONAL INFORMATION

#### Coverage Pattern

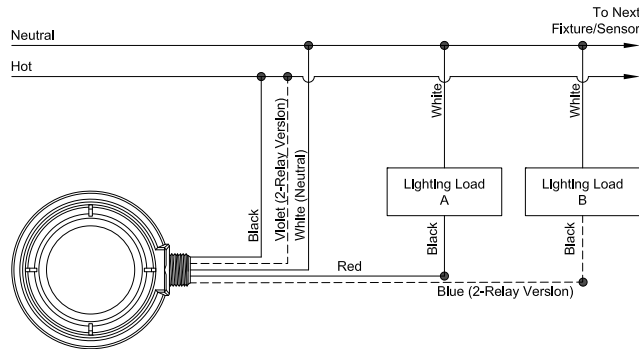


Sensor Lens Coverage and Detection Patterns  
When Mounted at 8 ft with Low Mount Lens

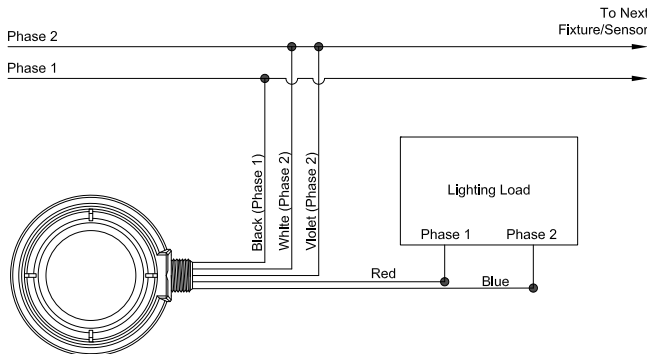


Sensor Lens Coverage and Detection Patterns  
When Mounted at 40 ft and 45 ft with High Mount Lens

#### Wiring Diagrams



120/277/347VAC WASP2



208/240 & 480VAC WASP2

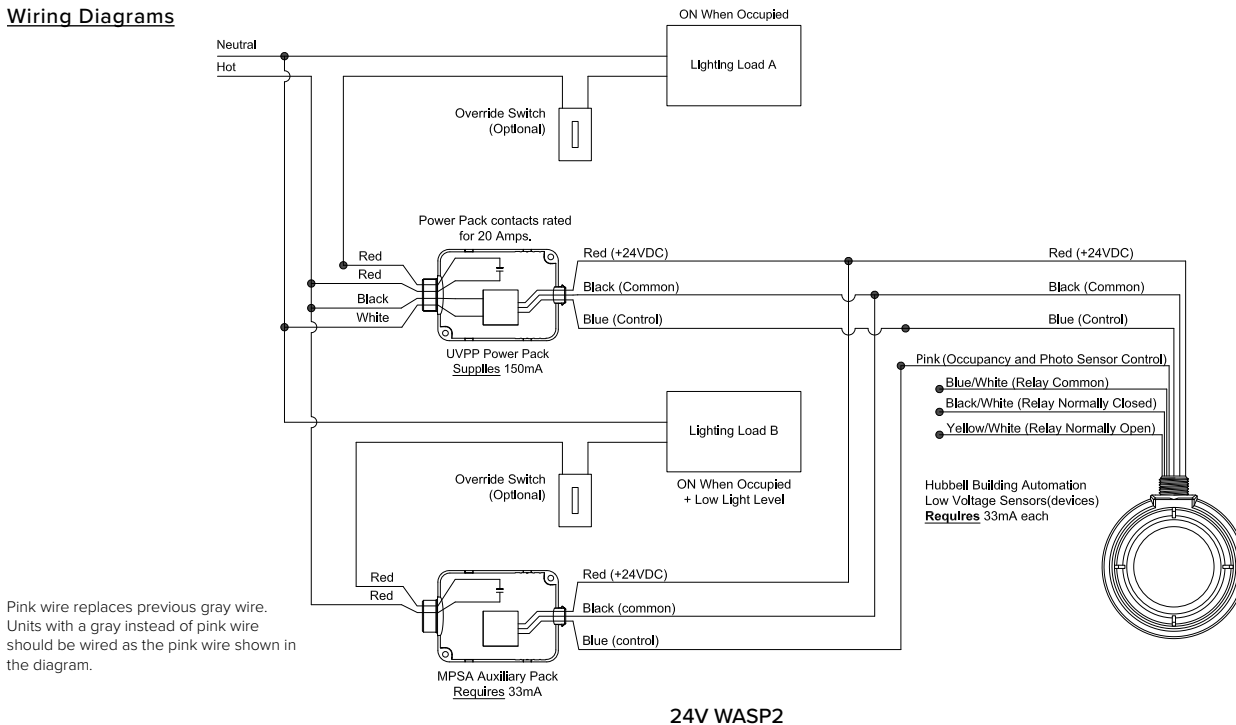
# Lighting Controls

## WASP™ OCCUPANCY SENSOR

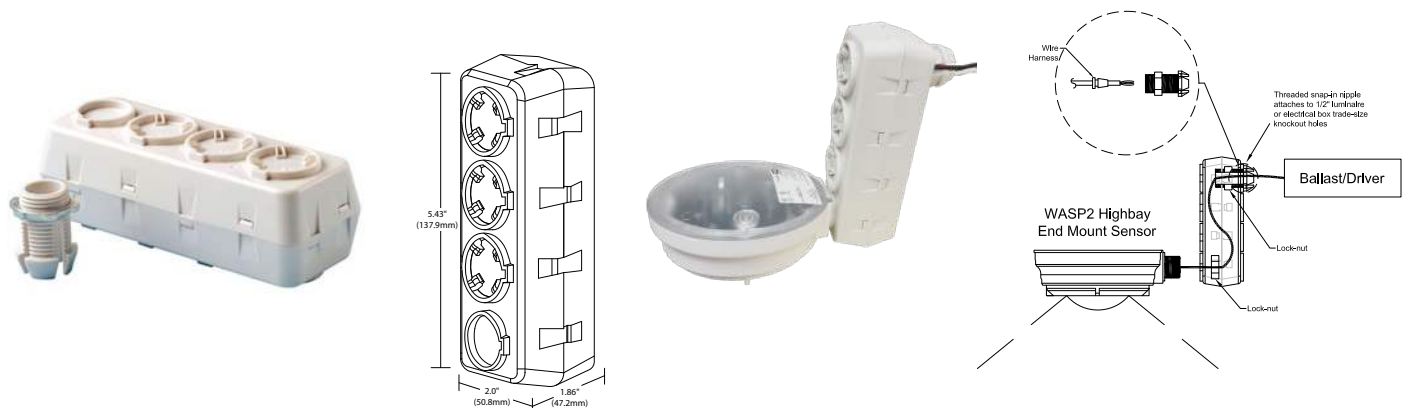
OCCUPANCY SENSORS AND CONTROLLERS

### ADDITIONAL INFORMATION CONTINUED

#### Wiring Diagrams



#### Accessories



The Optional WSPADAPTOR2 offset adaptor can be used to improve the field of view for fixture mounted sensors where the geometry of the fixture might otherwise interfere with the sensor's performance. The adapter snaps into a standard 1/2" (12.7mm) knockout on the end of the fixture and provides several mounting position choices for the sensor.

#### Default Settings

Occupancy Sensor Timeout	8 Minutes
Occupied State	ON
Unoccupied State	OFF
Daylight Sensor	Disabled