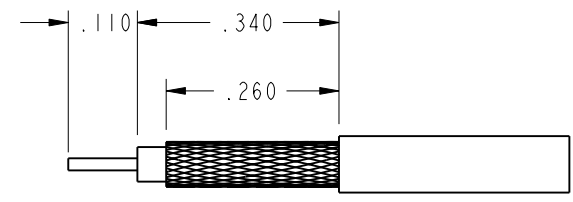
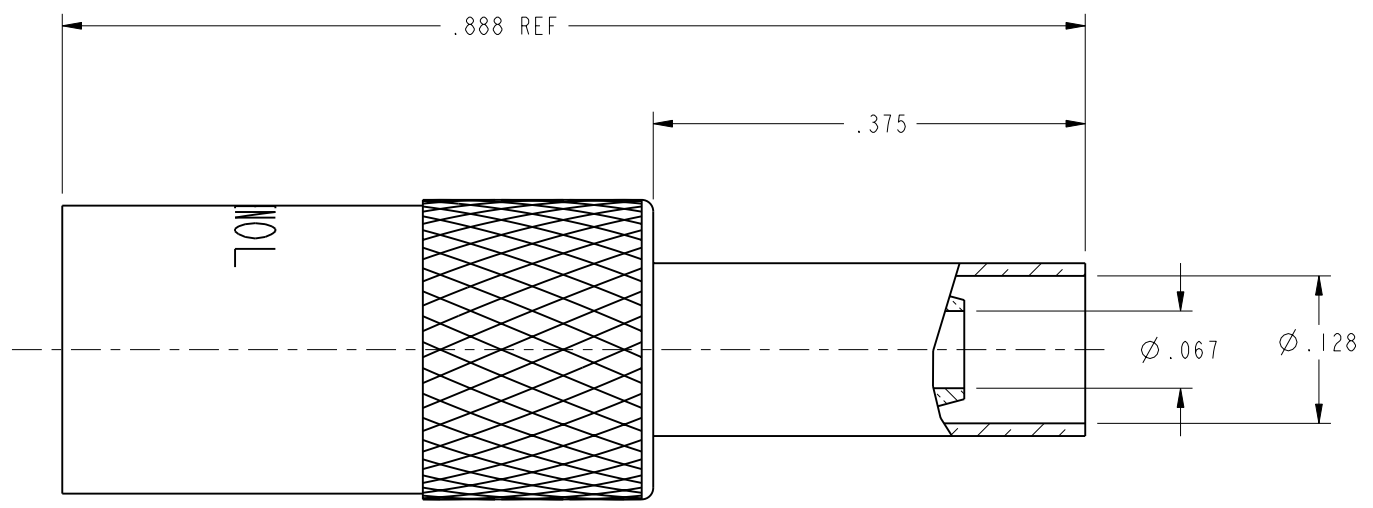
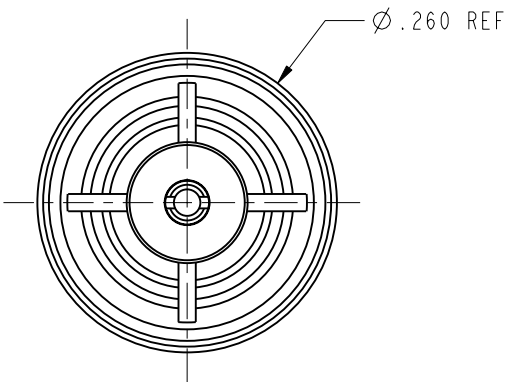
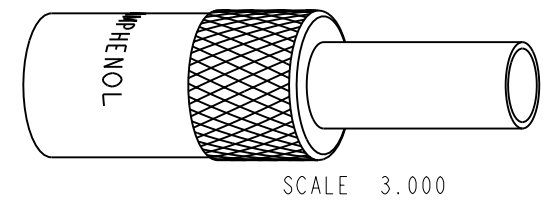


903-600P-71S		REVISIONS			
DRAWING NO.	REV	DESCRIPTION	DATE	ECO	APPR
THIRD ANGLE PROJ.	A	RELEASE TO MFG.	2/7/01	43649	PB/
	B	SEE SHEET 1	12/12/05	45832	CPM

NOTES:

- MATERIAL AND FINISH:  
 BODY: ZINC DIE-CAST, NICKEL PLATED  
 OUTER CONTACT: BRASS, NICKEL PLATED  
 CONTACT: BERYLLIUM COPPER, GOLD PLATED  
 INSULATOR: PTFE  
 FERRULE: ANNEALED COPPER, NICKEL PLATED
- CRIMP USING CRIMP TOOL 227-944, CRIMP DIE 227-1221-03  
 CAVITY "A" (.128 HEX).
- DO NOT SCALE THIS DRAWING.



CABLE STRIPPING DIMENSIONS

**CUSTOMER OUTLINE DRAWING**  
 ALL OTHER SHEETS ARE FOR INTERNAL USE ONLY

UNLESS OTHERWISE SPECIFIED, DIMENSIONS ARE IN INCHES AND TOLERANCES ARE: 2 PLACE DECIMAL ±.015 (0,381 mm) 3 PLACE DECIMAL ±.005 (0,127 mm) ANGLES ± 1°	MATERIAL	DRAWN P. BRENZEL	DATE 12-Jan-01	TITLE 75 OHM MINI SMB PLUG FOR RG-179/U CABLE	<b>Amphenol RF</b> Danbury, CT, USA Tainan, Taiwan Shenzhen, China <a href="http://www.amphenolrf.com">www.amphenolrf.com</a>
	REFERENCE EAR 102-967735 0	ENGINEER P. BRENZEL	DATE 12-Jan-01		
NOTICE - These drawings, specifications, or other data (1) are, and remain the property of Amphenol Corp. (2) must be returned upon request; and (3) are confidential and not to be disclosed to any person other than those to whom they are given by Amphenol Corp. The furnishing of these drawings, specifications, or other data by Amphenol Corp., or to any other person to anyone for any purpose is not to be regarded by implication or otherwise in any manner licensing, granting rights or permitting such holder or any other person to manufacture, use or sell any product, process or design, patented or otherwise, that may in any way be related to or disclosed by said drawings, specifications, or other data.	GEN# ASSYF6_SMB	CAD FILE I:\SMB\903-600P-71S	CODE ID 74868	DWG SIZE B	DRAWING NO. 903-600P-71S
					REV B