

NOTES.

1. 嵌合相手 : 501189****
MATE WITH : 501189****

2. ソルダーピン及びネイル平坦度は0.1MAX.
SOLDER PIN AND NAIL COPLANARITY TO BE 0.1MAX.

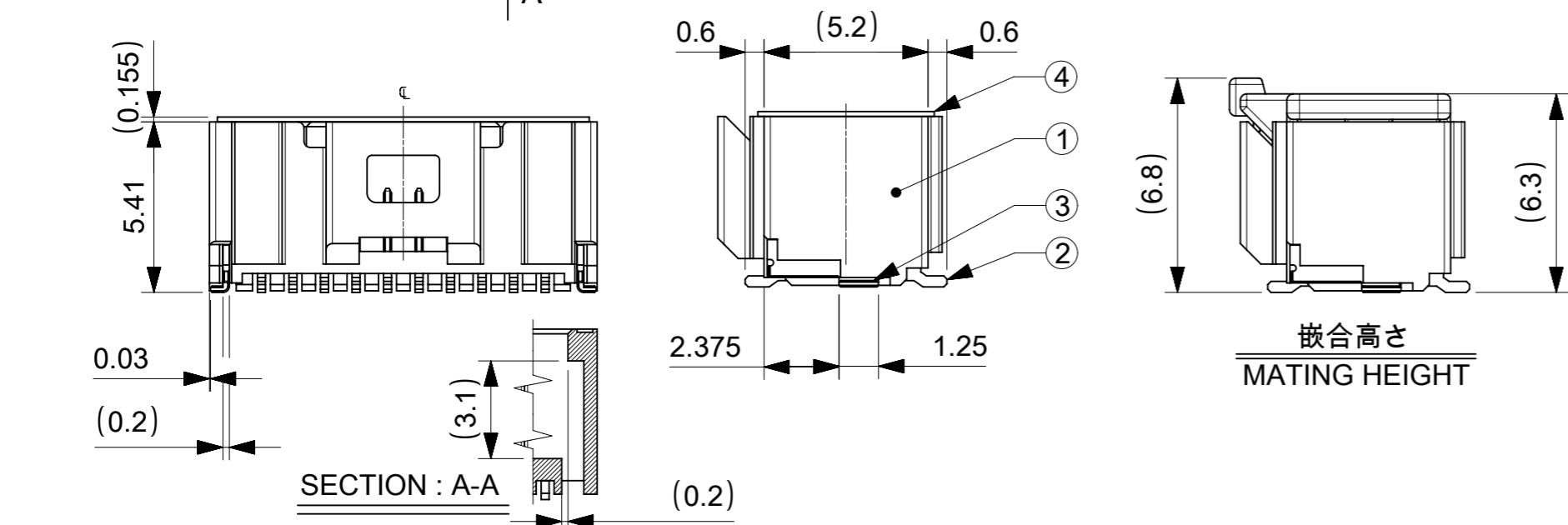
③ 極数/2 = 偶数に適用
APPLY FOR CKT SIZE/2=EVEN

④ トレードマーク : MXプラス1文字のアルファベットにて構成
TRADE MARK : FORMED BY MX AND 1 MORE LETTER OF ALPHABET.

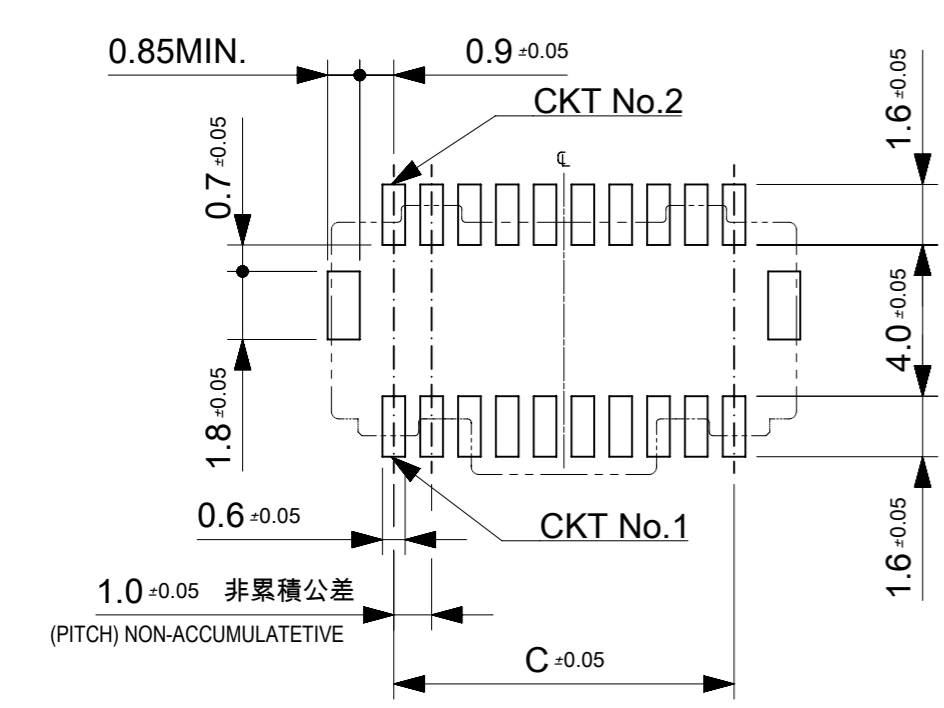
キャビティー番号 : 1桁から2桁の数字にて構成
CAVITY No. : FORMED BY 1-2 DIGIT NUMBERS.

金型番号 : アルファベット1文字にて構成
MOLD No. : FORMED BY 1 LETTER OF ALPHABET.

番号 NO.	部品 PART	材質 MATERIAL
①	ウェハー WAFER	ポリアミド、UL94V-0、色 : 自然色 POLYAMIDE, UL94V-0, COLOR : NAURAL
②	ソルダーピン SOLDER PIN	りん青銅 PHOSPHOR BRONZE 金メッキ : 0.38 MICRO METER MINIMUM. GOLD PLATING ニッケルメッキ (下地) : 1.27 MICRO METER MINIMUM. NICKEL (UNDER PLATING)
③	ネイル NAIL	りん青銅 PHOSPHOR BRONZE 錫メッキ : 1.0 MICRO METER MINIMUM. TIN PLATING ニッケルメッキ (下地) : 1.0 MICRO METER MINIMUM. NICKEL (UNDER PLATING)
④	カバーテープ COVER TAPE	ポリイミドテープ POLYIMIDE TAPE



嵌合高さ
MATING HEIGHT



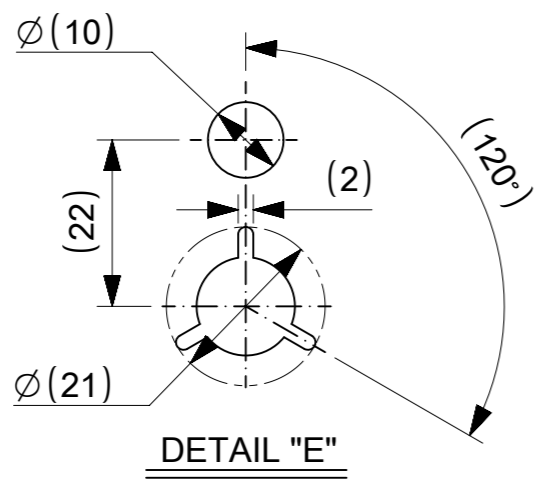
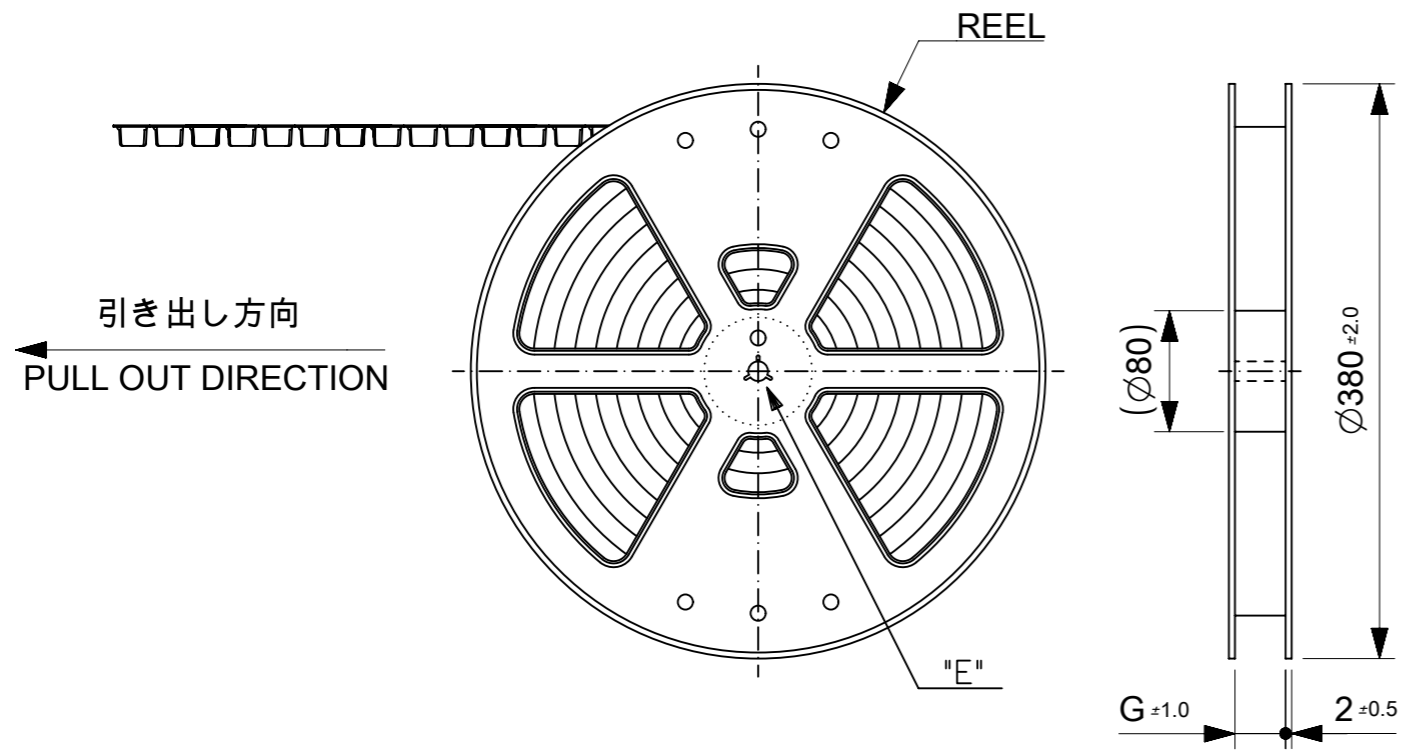
参考パターンレイアウト
RECOMMENDED PATTERN DIM.
(REF.)

無 NO	24	27.3	2035645027	50	
	19	22.3	2035644027	40	
	14	17.3	2035643027	30	
	9	12.3	2035642027	20	
有 YES	24	26.8 27.3	2035645017	50	
	19	21.8 22.3	2035644017	40	
	14	16.8 17.3	2035643017	30	
	9	11.8 12.3	2035642017	20	
カバーテープの有無 COVER TAPE	C	B	A	EMBOSSED PACKAGE オーダー番号: ORDER No.	CKT

CONNECTOR SERIES No.: 203564***9

THIS DRAWING CONTAINS INFORMATION THAT IS PROPRIETARY TO MOLEX ELECTRONIC TECHNOLOGIES, LLC AND SHOULD NOT BE USED WITHOUT WRITTEN PERMISSION

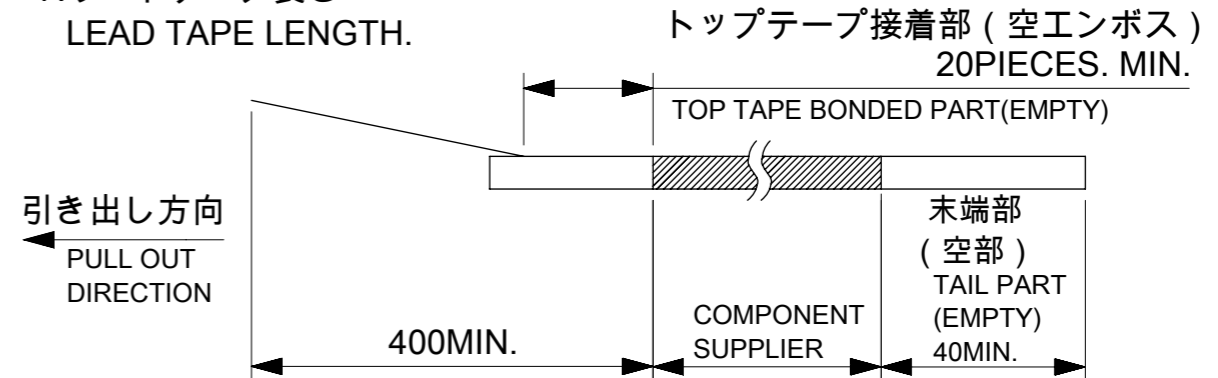
EC NO: 168346 DRWN: KYAMADA02 CHK'D: SAKIYAMA APPR: TKANEKO	2017/11/13	GENERAL TOLERANCES (UNLESS SPECIFIED)	DIMENSION UNITS	SCALE					
	2017/11/30		mm	5:1					
	2017/12/01		DRWN BY	DATE					
	REV		DATE	DATE					
		ANGULAR TOL ± 3.0 °	KYAMADA02	2017/11/13	PICO-CLASP 1.0W/B DUAL-ROW ST WAFER ASSY 20-50CKT (GOLD VERSION 0.38)				
	4 PLACES ± 0.2	CHK'D BY	DATE						
	3 PLACES ± 0.2	2 PLACES ± 0.2	SAKIYAMA	2017/11/30	PRODUCT CUSTOMER DRAWING				
	1 PLACE ± 0.2	0 PLACES ± 0.2	APPR BY	DATE					
			TKANEKO	2017/12/01	SERIES	MATERIAL NUMBER	CUSTOMER		
			DRAFT WHERE APPLICABLE MUST REMAIN WITHIN DIMENSIONS	DRAWING SIZE	THIRD ANGLE PROJECTION	203564	SEE CHART	GENERAL	
				A3		DOCUMENT NUMBER	DOC TYPE	DOC PART	SHEET NUMBER
						2035642017-SD	PSD	000	1 OF 3



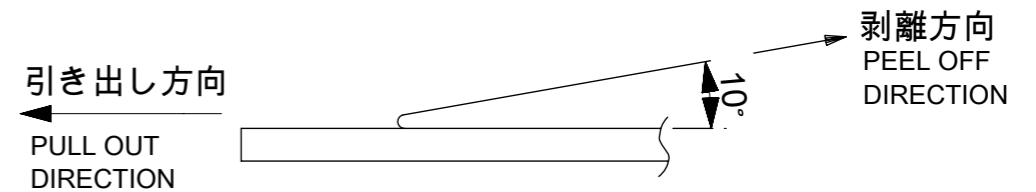
NOTES.

6.梱包数量：1,100個/リール
 NUMBER OF CONNECTORS : 1,100PIECES/REEL

7.リードテープ長さ
 LEAD TAPE LENGTH.



8.トップテープの剥離強度：0.1～1.3N (10.2～132.5gf)(剥離方向は下図参照)
 PEELING OFF FORCE OF TOP TAPE
 (PEELING DIRECTION AS SHOWN IN FOLLOWING FIGURE)
 尚、本規格値は、出荷時に適用。(但し、輸送時に剥離が発生しないこと)
 THIS REQUIREMENT SHOULD BE APPLIED AT SHIPMENT.
 PEEL OFF SHOULD NOT BE ALLOWED, DURING TRANSPORTION.



9.材料

MATERIAL

キャリアテープ：ポリプロピレン(PP)

CARRIER TAPE : POLYPROPYLENE

トップテープ：ポリエステル(PET),ポリエチレン(PE),ポリエチレン フラノエート(PEF),
 TOP TAPE : POLYESTER, POLYETHYLENE, POLYETHYLENE FURANOATE

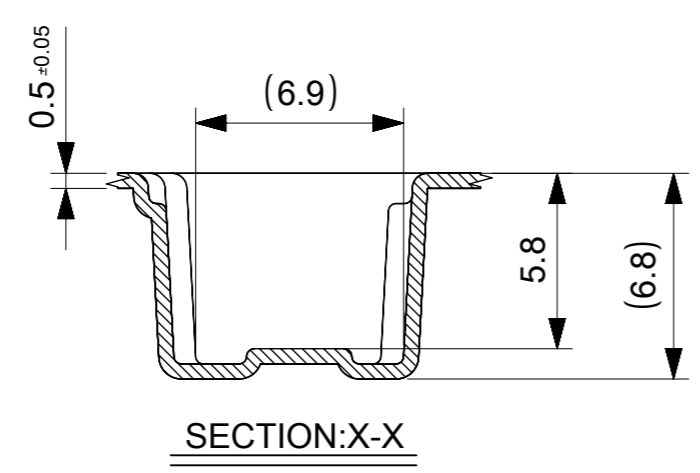
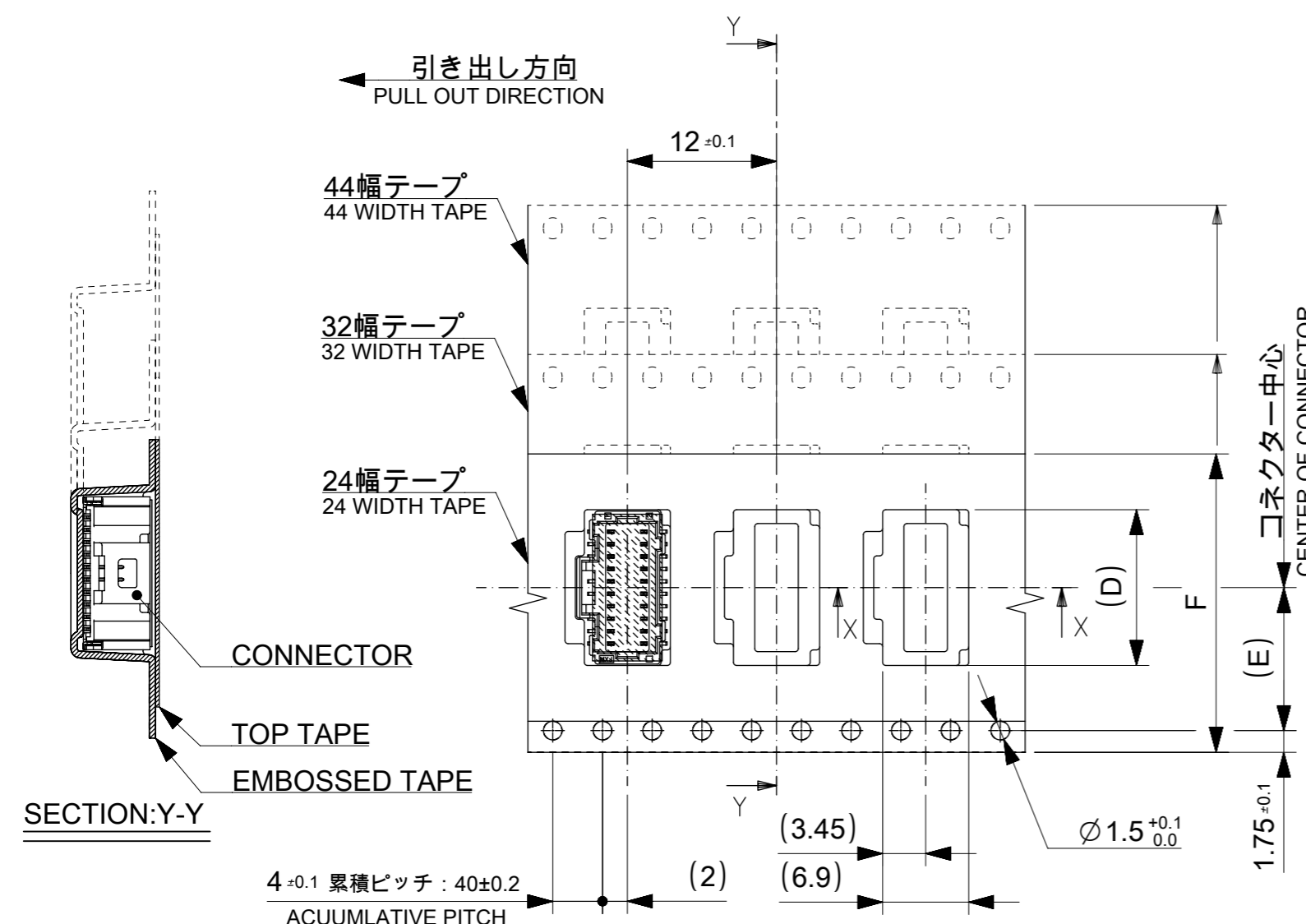
リール：ポリスチレン(PS),(リサイクル材を含む)

REEL : POLYSTYRENE (RECYCLE MATERIAL CONTAINED)

THIS DRAWING CONTAINS INFORMATION THAT IS PROPRIETARY TO MOLEX ELECTRONIC TECHNOLOGIES, LLC AND SHOULD NOT BE USED WITHOUT WRITTEN PERMISSION

EC NO: 168346 DRWN: KYAMADA02 CHK'D: SAKIYAMA APPR: TKANEKO	2017/11/13	GENERAL TOLERANCES (UNLESS SPECIFIED)		DIMENSION UNITS	SCALE	
	2017/11/30	ANGULAR TOL ± 3.0 °		mm	1:1	
	2017/12/01	4 PLACES	± 0.2	DRWN BY	DATE	
		3 PLACES	± 0.2	KYAMADA02	2017/11/13	
		2 PLACES	± 0.2	CHK'D BY	DATE	
	1 PLACE	± 0.2	SAKIYAMA	2017/11/30		
	0 PLACES	± 0.2	APPR BY	DATE		
			TKANEKO	2017/12/01		
			DRAFT WHERE APPLICABLE MUST REMAIN WITHIN DIMENSIONS	DRAWING SIZE	THIRD ANGLE PROJECTION	
				A3		

PICO-CLASP 1.0W/B DUAL-ROW ST WAFER ASSY 20-50CKT (GOLD VERSION 0.38)			
PRODUCT CUSTOMER DRAWING			
SERIES	MATERIAL NUMBER	CUSTOMER	
203564	SEE CHART	GENERAL	
DOCUMENT NUMBER	DOC TYPE	DOC PART	SHEET NUMBER
2035642017-SD	PSD	000	2 OF 3



45.5	44 \pm 0.3	20.2	27.6	50
			22.6	40
33.5	32 \pm 0.3	14.2	17.6	30
25.5	24 \pm 0.3	11.5	12.6	20
G	F CARRIER TAPE WIDTH	(E)	(D)	CKT

THIS DRAWING CONTAINS INFORMATION THAT IS PROPRIETARY TO MOLEX ELECTRONIC TECHNOLOGIES, LLC AND SHOULD NOT BE USED WITHOUT WRITTEN PERMISSION

EC NO: 168346 DRWN: KYAMADA02 CHK'D: SAKIYAMA APPR: TKANEKO	2017/11/13 2017/11/30 2017/12/01	GENERAL TOLERANCES (UNLESS SPECIFIED) ANGULAR TOL \pm 3.0 °	DIMENSION UNITS: mm SCALE: 1:1	
	4 PLACES \pm 0.2 3 PLACES \pm 0.2 2 PLACES \pm 0.2 1 PLACE \pm 0.2 0 PLACES \pm 0.2	DRWN BY: KYAMADA02 DATE: 2017/11/13	PRODUCT CUSTOMER DRAWING	
	DRAFT WHERE APPLICABLE MUST REMAIN WITHIN DIMENSIONS	CHK'D BY: SAKIYAMA DATE: 2017/11/30	SERIES: 203564 MATERIAL NUMBER: SEE CHART CUSTOMER: GENERAL	
		APPR BY: TKANEKO DATE: 2017/12/01	DRAWING SIZE: A3 THIRD ANGLE PROJECTION	
			DOCUMENT NUMBER: 2035642017-SD DOC TYPE: PSD DOC PART: 000 SHEET NUMBER: 3 OF 3	