



Stored energy motor operator (SEO) 110-230V AC/110-250V DC  
accessory for: 3VA63/3VA64

Model	
product brand name	SETRON
product designation	Accessories
Product version	Motorized operating mechanism with stored energy mechanism (SEO)
General technical data	
make time / typical	0.08 s
break time / typical	5 s
Voltage	
Type de tension pour la commande	AC/DC
Rated control supply voltage $U_s$ at AC 50 Hz	
• minimum	110 V
• maximum	240 V
• Rated control supply voltage $U_s$ at AC 60 Hz /minimum	110 V
• Rated control supply voltage $U_s$ at AC 60 Hz / maximum	240 V
Rated control supply voltage $U_s$ with DC	
• minimum	110 V
• maximal	250 V
Rated operational power	300 VA
Mechanical Design	
Height	127.4 mm
Width	137.6 mm
depth	159 mm
net weight	1 980 g
connectable conductor cross-section / solid	
• minimum	1.5 mm <sup>2</sup>
• maximum	2.5 mm <sup>2</sup>
connectable conductor cross-section / finely stranded / with core end processing	
• minimum	1.5 mm <sup>2</sup>
• maximum	2.5 mm <sup>2</sup>
connectable conductor cross-section / stranded	
• minimum	1.5 mm <sup>2</sup>
• maximum	2.5 mm <sup>2</sup>
ambient temperature / during operation	
• minimum	-25 °C
• maximum	70 °C
tightening torque	
• minimum	0.36 N·m

<ul style="list-style-type: none"> <li>• maximum</li> </ul>	0.44 N·m
ambient temperature / during storage	
<ul style="list-style-type: none"> <li>• minimum</li> </ul>	-40 °C
<ul style="list-style-type: none"> <li>• maximum</li> </ul>	80 °C
<b>Connections according IEC</b>	
stripped length	7 mm
<b>Further information</b>	

**Information- and Downloadcenter (Catalogs, Brochures,...)**

<http://www.siemens.com/lowvoltage/catalogs>

**Industry Mall (Online ordering system)**

<https://mall.industry.siemens.com/mall/en/en/Catalog/product?mfb=3VA9447-0HC30>

**Service&Support (Manuals, Certificates, Characteristics, FAQs,...)**

<https://support.industry.siemens.com/cs/ww/en/ps/3VA9447-0HC30>

**Image database (product images, 2D dimension drawings, 3D models, device circuit diagrams, ...)**

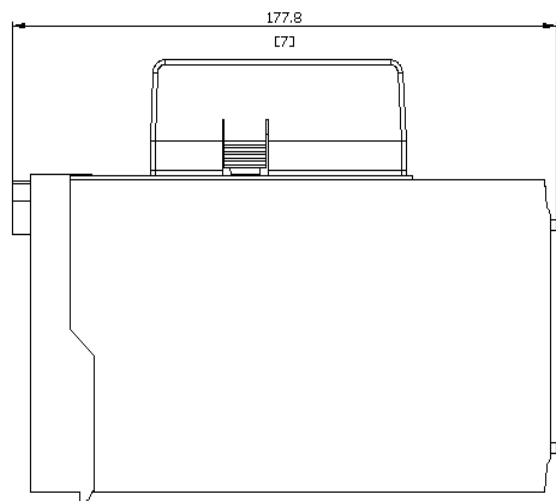
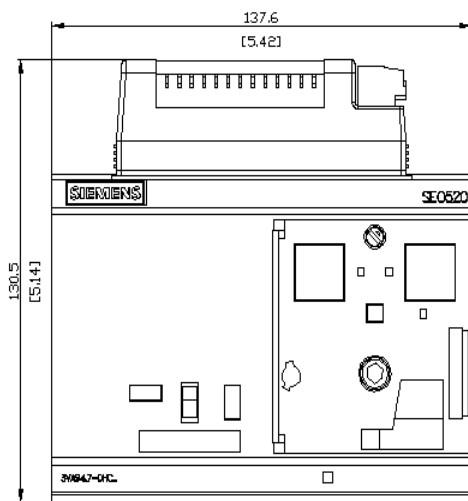
[http://www.automation.siemens.com/bilddb/cax\\_en.aspx?mfb=3VA9447-0HC30](http://www.automation.siemens.com/bilddb/cax_en.aspx?mfb=3VA9447-0HC30)

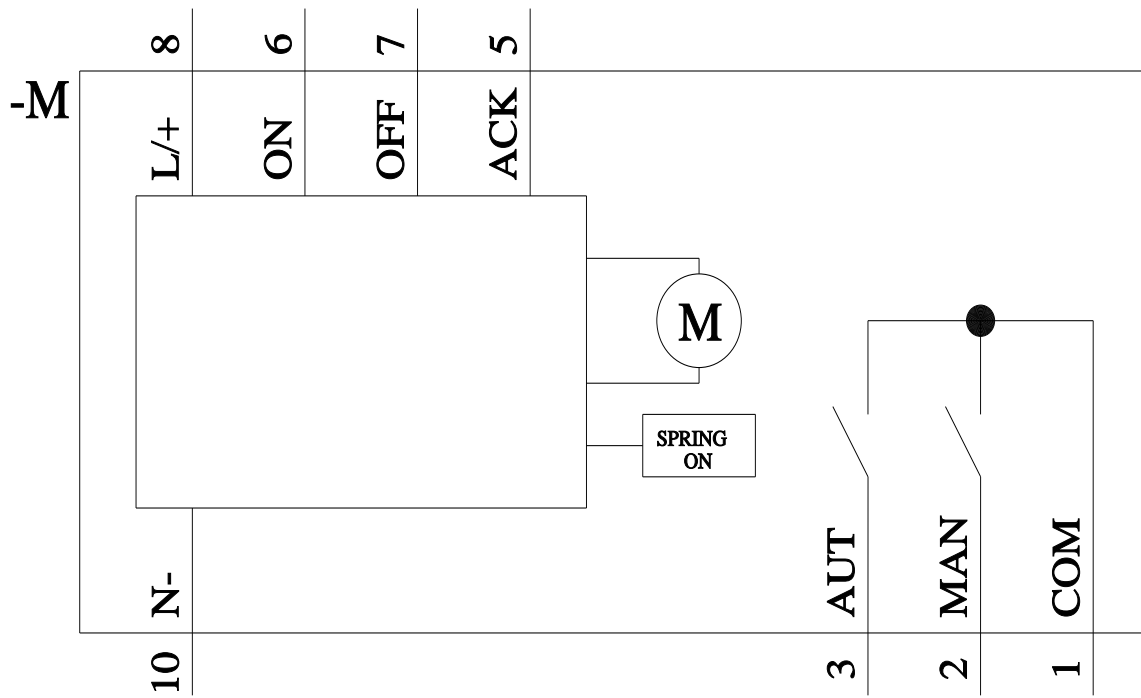
**CAX-Online-Generator**

<http://www.siemens.com/cax>

**Tender specifications**

<http://www.siemens.com/specifications>





last modified:

7/2/2022 

