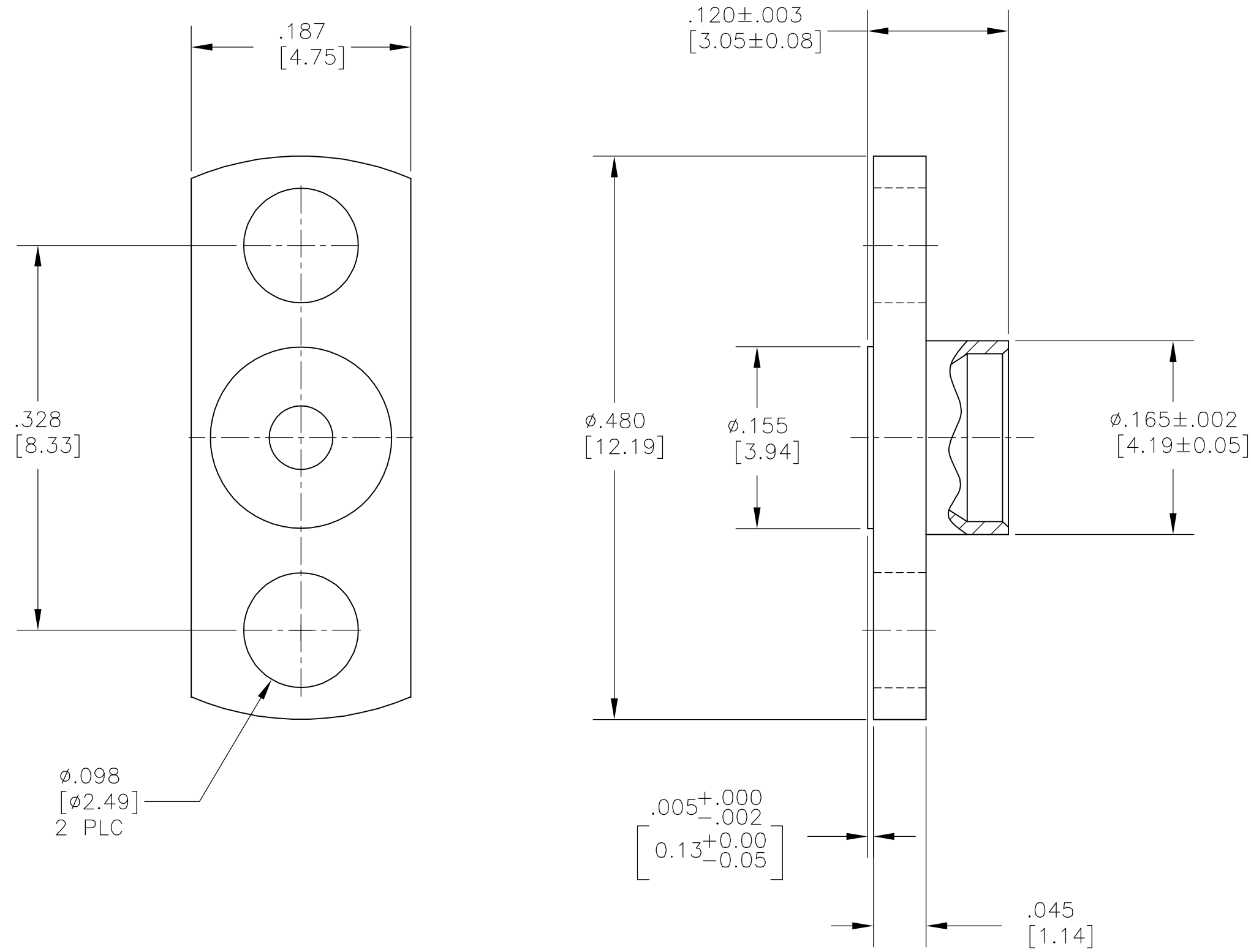


THIS DRAWING IS UNPUBLISHED. RELEASED FOR PUBLICATION
 © COPYRIGHT BY TYCO ELECTRONICS CORPORATION. ALL RIGHTS RESERVED.

LOC	DIST	REVISIONS					
DF	X0	P	LTR	DESCRIPTION	DATE	DWN	APVD
		D		RELEASED	24OCT05	BM	CT

- 1 STAINLESS STEEL PER ASTM-A-582
- 2 PASSIVATION PER AMS QQ-P-35
- 3. SMP INTERFACE PER MIL-STD-348A, FIGURE 326-2
- 4. DSCC REFERENCE PART NUMBER: 94007ZSP-3
- 5. SEE INSTRUCTION SHEET 408-4752



$\triangle 2$	$\triangle 1$	1056740-1
FINISH	MATERIAL	PART NO.

THIS DRAWING IS A CONTROLLED DOCUMENT.		DWN	B. MOYER	24OCT05	Tyco Electronics Corporation Harrisburg, PA 17105-3608																		
DIMENSIONS: INCHES		CHK	C. THOMAS	24OCT05																			
TOLERANCES UNLESS OTHERWISE SPECIFIED:		APVD	B. MOYER	24OCT05																			
<table border="1"> <tr><td>0 PLC</td><td>±</td><td>-</td></tr> <tr><td>1 PLC</td><td>±</td><td>-</td></tr> <tr><td>2 PLC</td><td>±</td><td>-</td></tr> <tr><td>3 PLC</td><td>±</td><td>.005 [0.13]</td></tr> <tr><td>4 PLC</td><td>±</td><td>-</td></tr> <tr><td>ANGLES</td><td>±</td><td>1°</td></tr> </table>		0 PLC	±	-		1 PLC	±	-	2 PLC	±	-	3 PLC	±	.005 [0.13]	4 PLC	±	-	ANGLES	±	1°	PRODUCT SPEC	-	NAME
0 PLC	±	-																					
1 PLC	±	-																					
2 PLC	±	-																					
3 PLC	±	.005 [0.13]																					
4 PLC	±	-																					
ANGLES	±	1°																					
MATERIAL	SEE TABLE	FINISH	SEE TABLE	WEIGHT	-	SIZE	A2	CAGE CODE	00779	DRAWING NO.	C=1056740	RESTRICTED TO	-										
CUSTOMER DRAWING		SCALE		10:1	SHEET	1 of 1	REV	D															

1056740